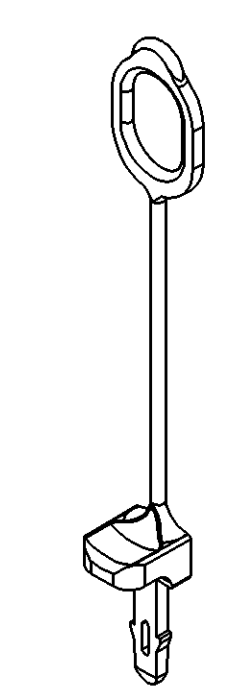
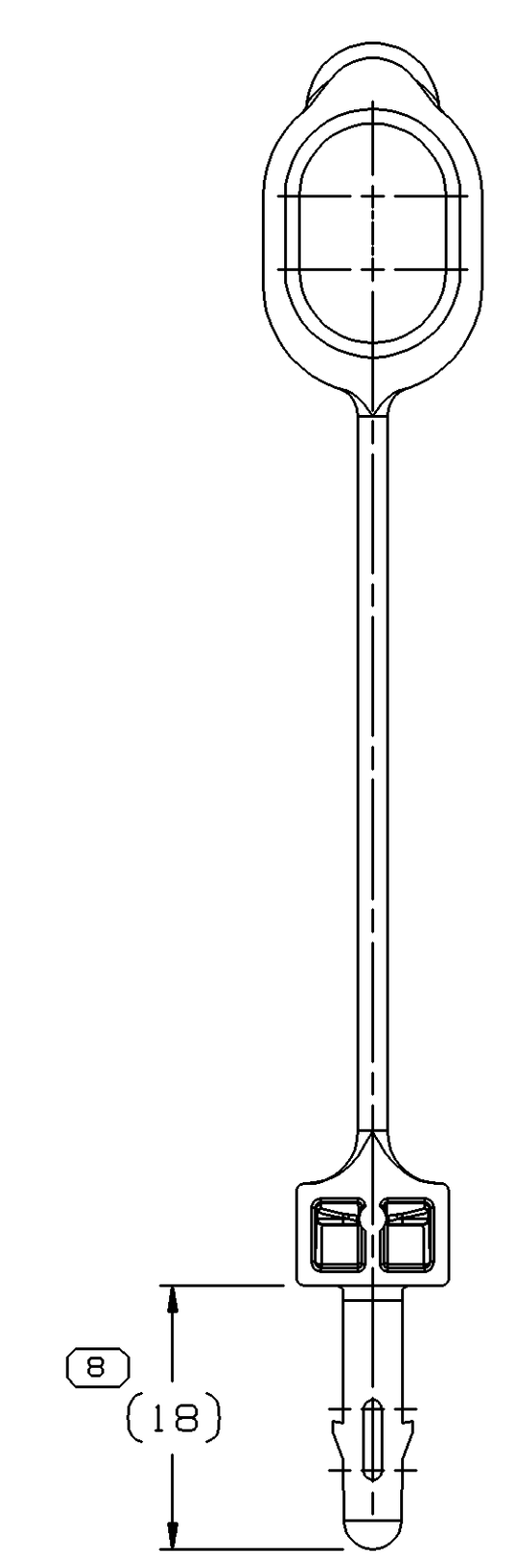
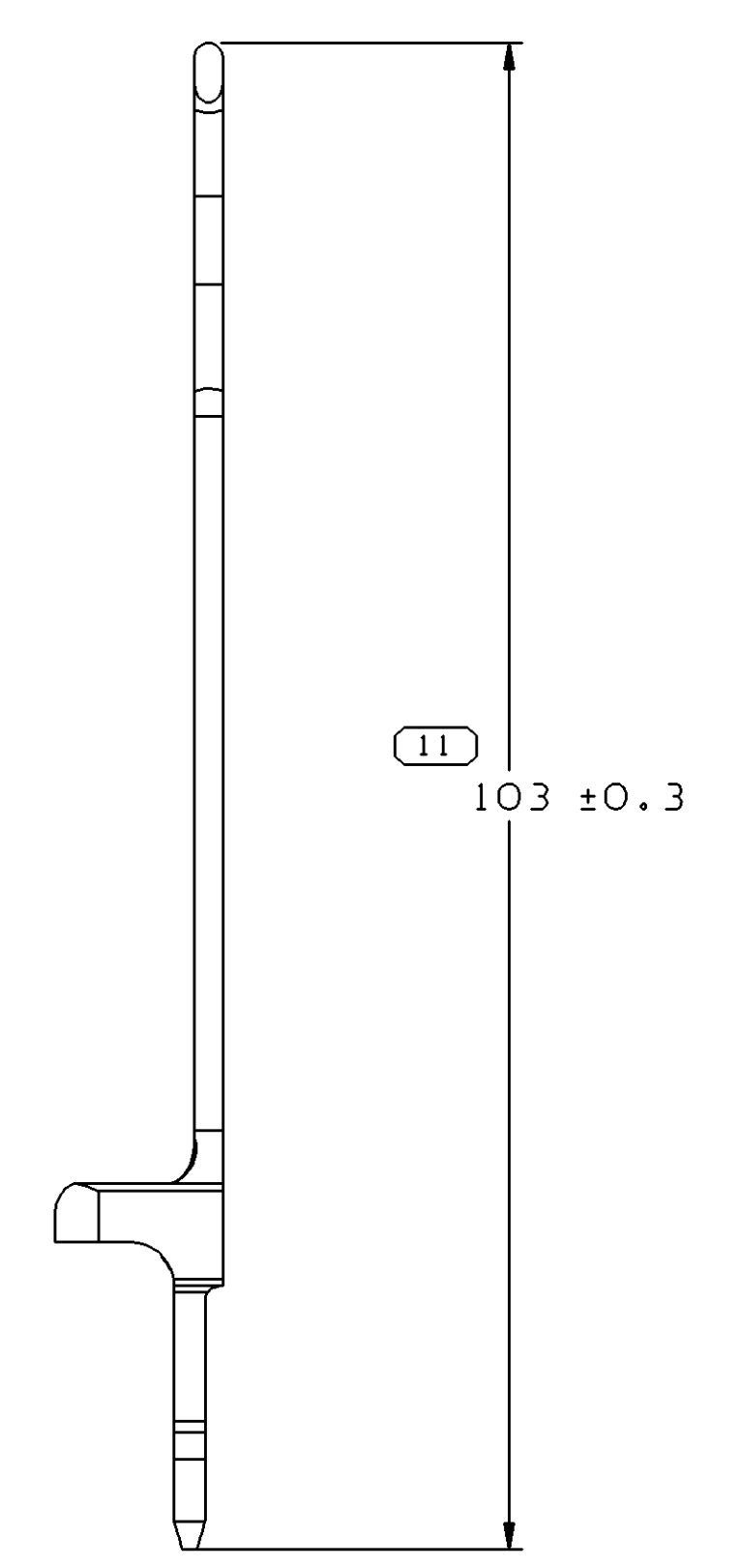
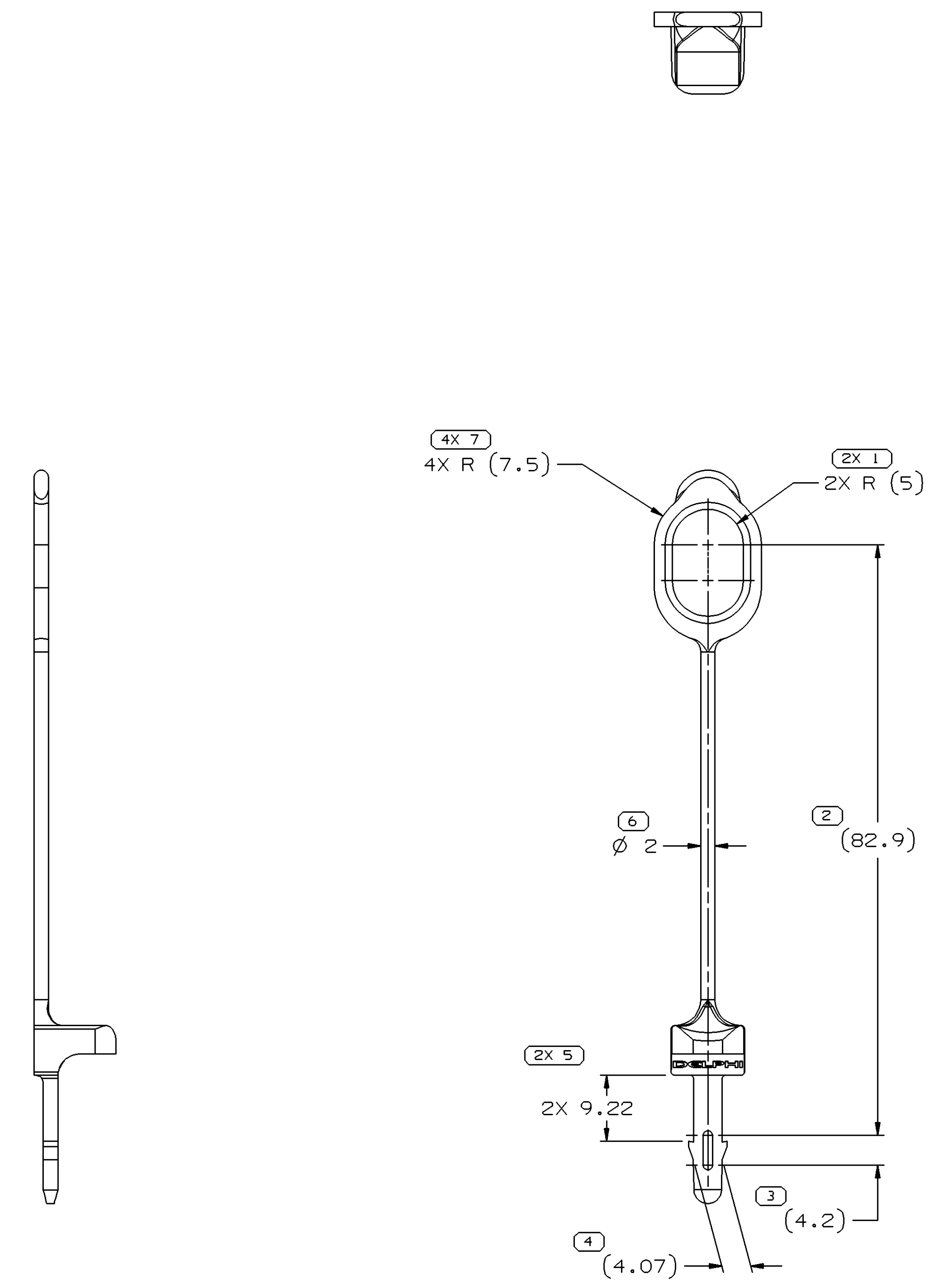


SYMBOL DEFINITION		MISSING SYMBOLS	
A DIMENSION WITHOUT AN INSPECTION REPORT SYMBOL DOES NOT REQUIRE INSPECTION. IT MAY BE CONTROLLED ON THE INDIVIDUAL COMPONENT DRAWING.	TOTAL NO OF INSPECTIONS REQUIRED	NO MISSING SYMBOL NUMBER	
	16		
	LAST NO. USED		
	11		

DWO STATUS					REVISION HISTORY			AUTH	DR	APVD	APVD
DATE	STG	REV	N/P	CHG	ZONE						
19AU03	R	04	-	-		CLEARED REV COL., REDRAWN TO T00, ADDED OPTIONAL LOGO AND MAT'L RECYCLING CODE			244616	EVM	EVO
01SE04	R	05	-	-		ADDED MATERIAL SAVER 12 PLCS1			252424	ESH	JVM/RWR



NOTES

- UNLESS OTHERWISE SPECIFIED AND/OR INDICATED: DIMENSIONS ARE TO FACE OF VIEW SHOWN AND AUTOMATICALLY ROUNDED BY COMPUTER FOR INSPECTION (SEE MATH MODEL FOR PRECISE DIMENSIONS). FOR ALL OTHER DIMENSIONS NOT SHOWN BUT REQUIRED FOR TOOL BUILD, SEE MATH MODEL FOR PRECISE TOOL PATH DATA.
- MATERIAL RECYCLING CODE >PP< PER SAE J1344. (2.3)X(0.1) RAISED CHARACTERS AS SHOWN TO BE LOCATED ON ANY EXTERIOR SURFACE. OPTIONAL CONSTRUCTION TO BE NO MATERIAL RECYCLING CODE.
- MATING COMPONENTS OR EQUIVALENT: CONNECTOR 121102BB
- TO BE USED WITH Ø15 MAX BUNDLE SIZE TO Ø9 MIN BUNDLE SIZE.
- (1)X(0.1) RAISED DELPHI CORPORATE BRAND TO BE LOCATED ON ANY EXTERIOR SURFACE, PREFERABLY VISIBLE AT FINAL ASSEMBLY. OPTIONAL CONSTRUCTION TO BE "PED" OR NO LOGO.

DIMENSIONAL RANGE (MM)		TOLERANCE		CHART ET	
FROM	TO	±	ANGULAR TOLERANCE ±2°	FROM	TO
> 0	> 20	> 0.10		> 0	> 300
> 20	> 30	> 0.12		> 300	> 400
> 30	> 70	> 0.15			
> 70	> 100	> 0.20			
> 100	> 150	> 0.25			
> 150	> 200	> 0.30			
> 200	> 250	> 0.40			
> 250	> 300	> 0.50			
> 300	> 400	> 0.60			

DWO TYPE		PART DRAWING	
STYLE	1.027	DISTR CODE	D
UNLESS OTHERWISE SPECIFIED THIS DOCUMENT IS IN ACCORDANCE WITH ASME Y14.5M-1994 AS AMENDED BY THE 2003 ADDENDUM. DIMENSIONS AND TOLERANCES ARE IN MILLIMETERS UNLESS OTHERWISE SPECIFIED. SEPARATE PATTERNING OF FEATURES MAY BE OBTAINED SEPARATELY REGARDLESS OF DATUM REFERENCES.			
ALL DIMENSIONS ARE IN MILLIMETERS			
REFERENCE			
THIRD ANGLE PROJECTION	DO NOT SCALE		
USE MATH DATA	UNGRAPHS		

**DELPHI**  
 DELPHI PACKARD ELECTRIC SYSTEMS  
 WARREN, OH

DR	DATE
APVD1 E. MILLER	14JA97
APVD2 E. MILLER	14JA97
APVD3 W. AUBEL	15JA97
APVD4	
APVD5	

MATERIAL: M2097001 PP 1M BLK

DRAWING NAME: LOCK CPA PERP BLK

DRAWING NUMBER: 15318055

SIZE: A0 SCALE: 2:1 FRAME NO: 1 SHEET NO: 1 OF 1 TSTG REV: R 05