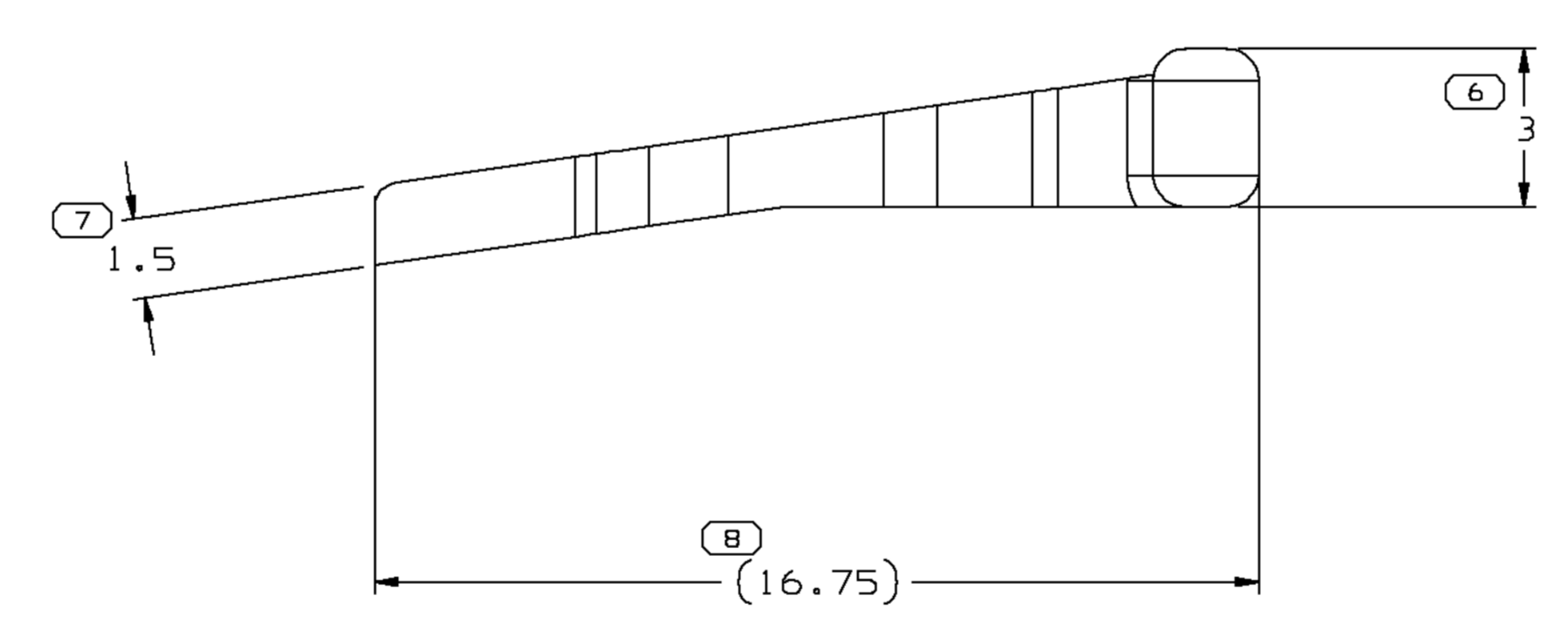
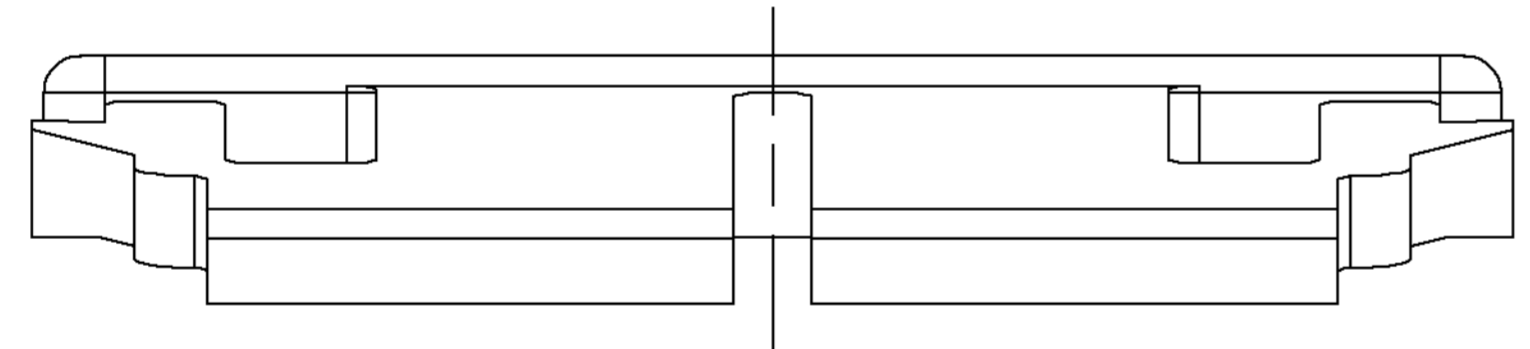
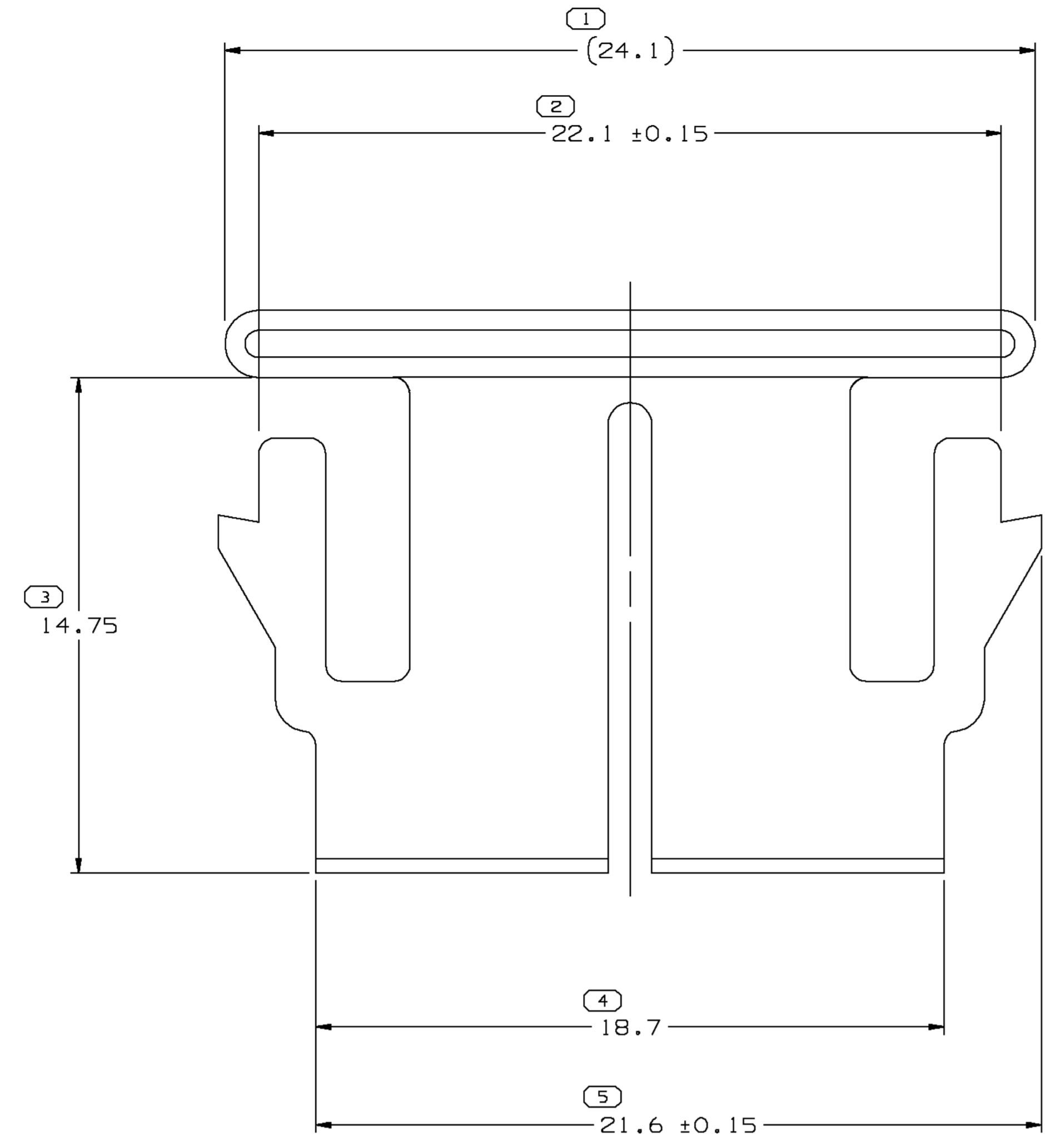
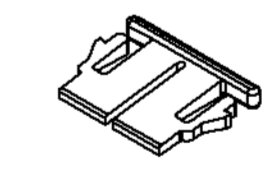
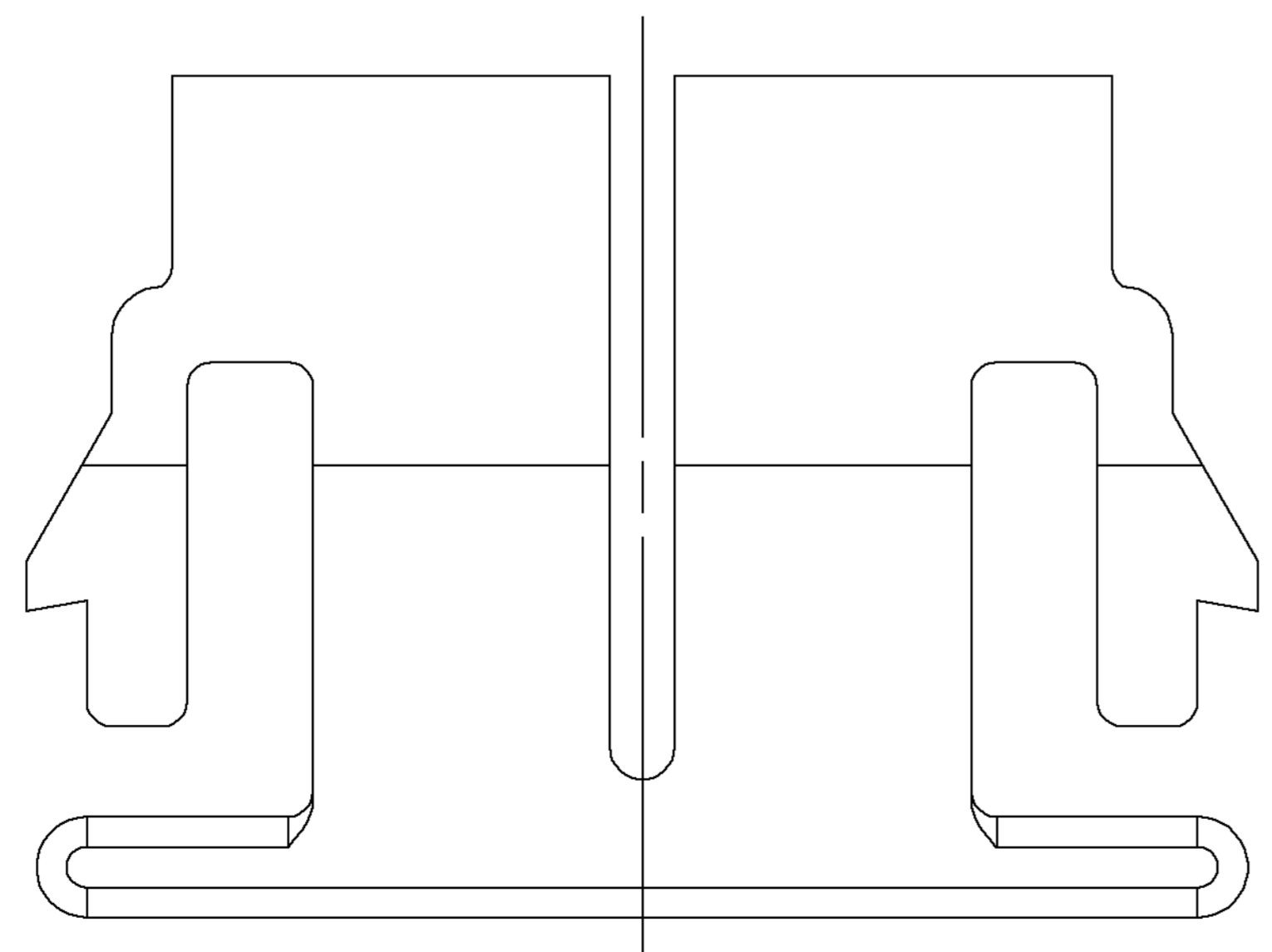
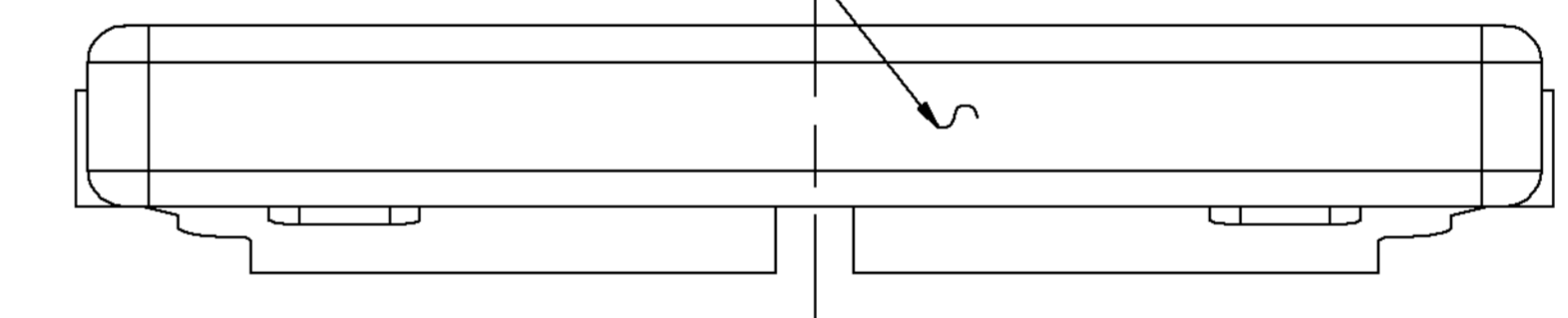


SYMBOL DEFINITION		MISSING NUMBERS		DWG STATUS				REVISION HISTORY				AUTH		DR		APVD	
THE NUMBER INSIDE THE SYMBOL CORRESPONDS TO THE NUMBER ON THE INSPECTION REPORT FOR THIS DRAWING/PART NUMBER	TOTAL NO. OF SYMBOLS ON DRAWING	LAST NO. USED		DATE	STG	REV	W/P	CHG	ZONE	Cleared Rev Column and Material Spec Was R0100111				215066	HAM	CJP	DLB
	9	9		21MY02	R	B7	-	-									



9 NO GATES, SHARP POINTS OR PROTUSIONS ALLOWED ON THIS SURFACE



NOTES

- UNLESS OTHERWISE SPECIFIED AND/OR INDICATED: DIMENSIONS ARE TO FACE OF VIEW SHOWN AND AUTOMATICALLY ROUNDED BY COMPUTER FOR INSPECTION (SEE MATH MODEL FOR PRECISE DIMENSIONS). FOR ALL OTHER DIMENSIONS NOT SHOWN BUT REQUIRED FOR TOOL BUILD, SEE MATH MODEL FOR PRECISE TOOL PATH DATA.
- MATING COMPONENTS OR EQUIVALENT: CONNECTOR 12064998 (2 PER CONN)
- THIS PART IS NOT CONTROLLED FOR AUTOMATIC FEEDING.

5 PROCESS SENSITIVE DIMENSION		REFERENCE	
DIMENSIONS ENCLOSED IN ( ) INDICATE REFERENCE DIMENSIONS AND NO TOLERANCE LIMITS ARE ESTABLISHED		THIRD ANGLE PROJECTION	
DIMENSIONAL RANGE (MM) CHART E		DO NOT SCALE	
FROM	TO	USE MATH DATA	
0	20	UNIGRAPHICS	
20	30		
30	70		
70	100		
100			
TOLERANCE UNLESS OTHERWISE SPECIFIED			
±0.15   ±0.2   ±0.3   ±0.4   ±0.5			
ANGULAR TOLERANCE ±2°			

DWG TYPE		PART DRAWING	
STYLE		D	
VOLUME (COP)	DISTR CODE		
0,553			
ROUTING		6900	
UNLESS OTHERWISE SPECIFIED			
THIS DOCUMENT IS IN ACCORDANCE WITH ASME Y14.5M-1994 AS AMENDED BY THE GW GLOBAL DIMENSIONING AND TOLERANCING ADDENDUM 1997. ALL DIMENSIONAL TOLERANCES AND RELATED DATUMS APPLY UNLESS OTHERWISE SPECIFIED. UNLESS OTHERWISE SPECIFIED, ALL DIMENSIONS ARE TO FACE UNLESS INDICATED OTHERWISE. UNLESS OTHERWISE SPECIFIED, ALL DIMENSIONS ARE TO FACE UNLESS INDICATED OTHERWISE. UNLESS OTHERWISE SPECIFIED, ALL DIMENSIONS ARE TO FACE UNLESS INDICATED OTHERWISE.			
DRAWING NAME		LOCK TERM LK TPA B BLU	
DRAWING NUMBER		12064999	
SIZE	SCALE	FRAME NO	SHEET NO
A0	B:1	1 OF 1	1 OF 1
		REV	W/P
		R	B7

**DELPHI**  
DELPHI PACKARD ELECTRIC SYSTEMS  
WARREN, OH

DR	DATE
APVD1 E. VAZQUEZ	04MY00
APVD2 G. MACIAS	05MY00
APVD3 J. ALVAREZ	24MY00
APVD4	
APVD5	

MATERIAL: R0100111 PBT-BLU

UNLESS OTHERWISE SPECIFIED: SUBSTANCES OF CONCERN AND RECYCLED CONTENT PER DELPHI 10949001

SIZE: A0 SCALE: B:1 FRAME NO: 1 OF 1 SHEET NO: 1 OF 1 REV: R B7