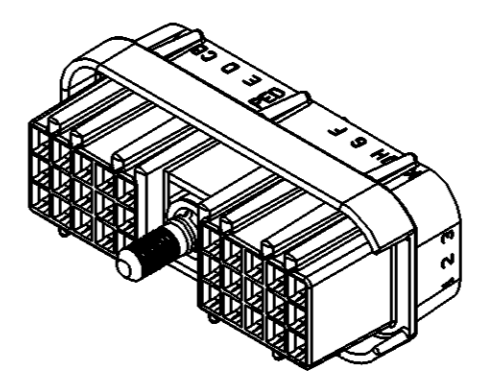
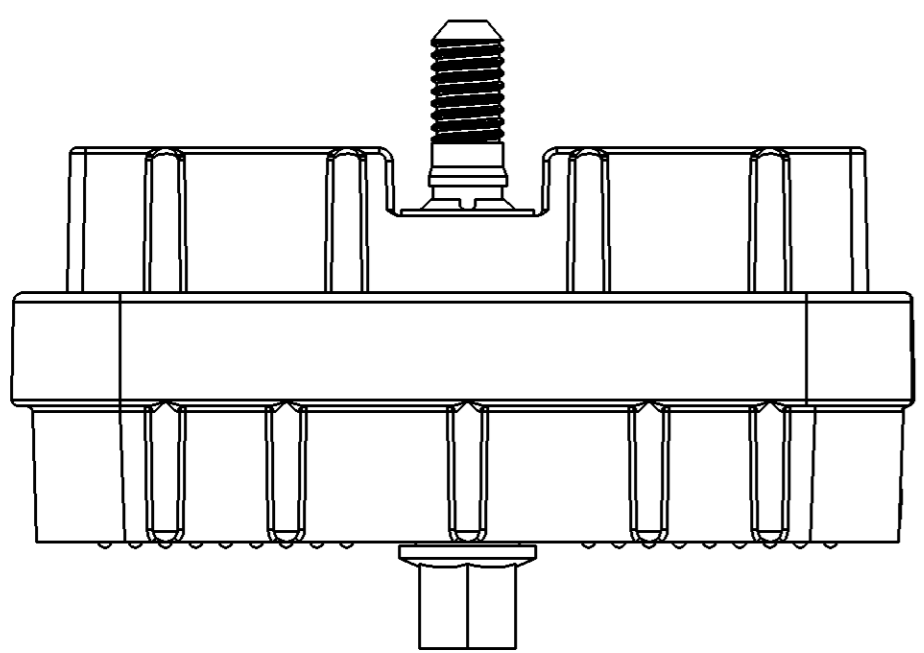
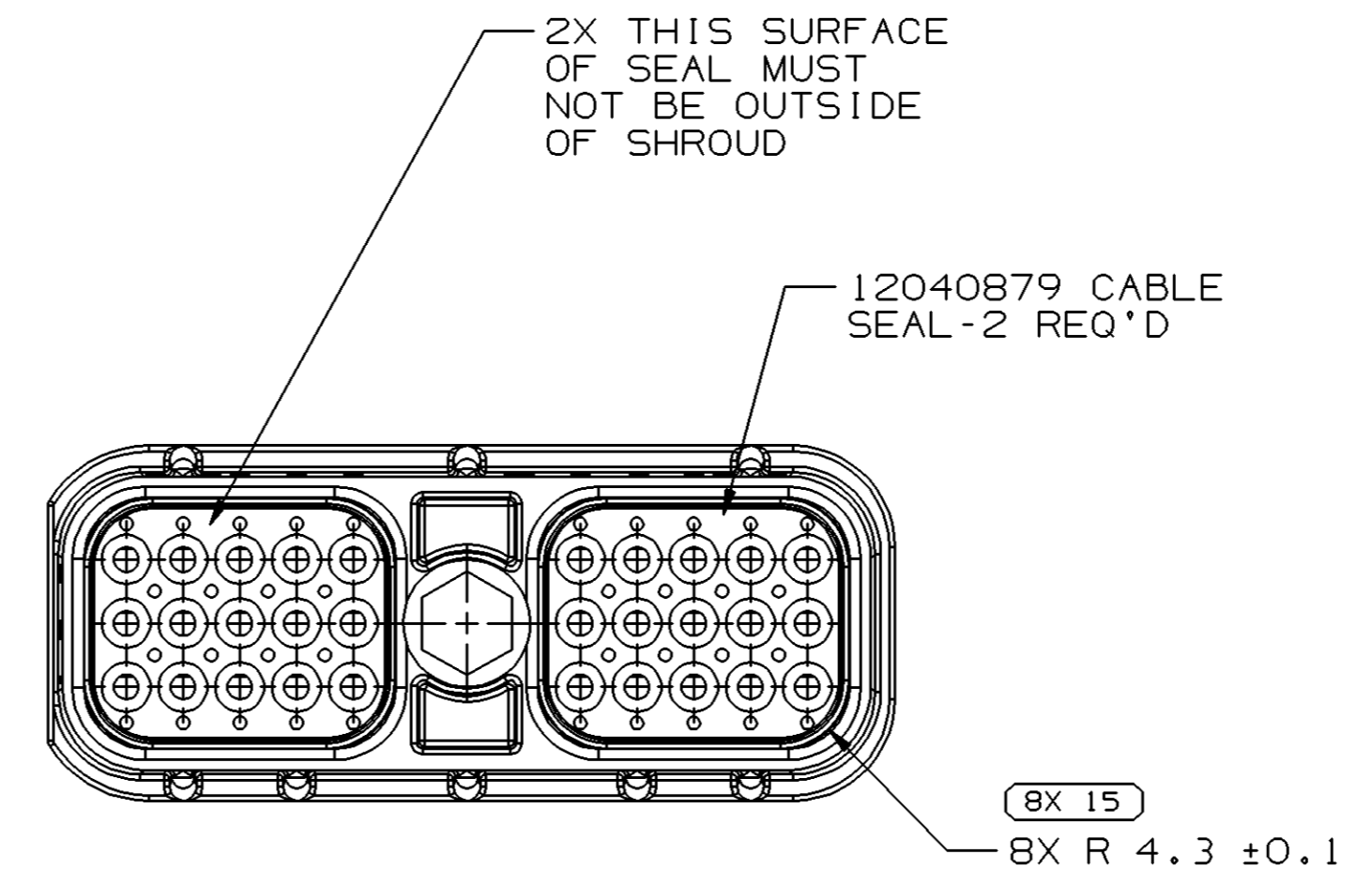
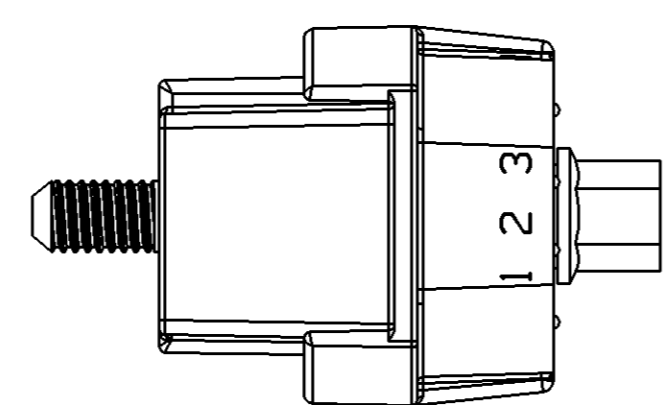
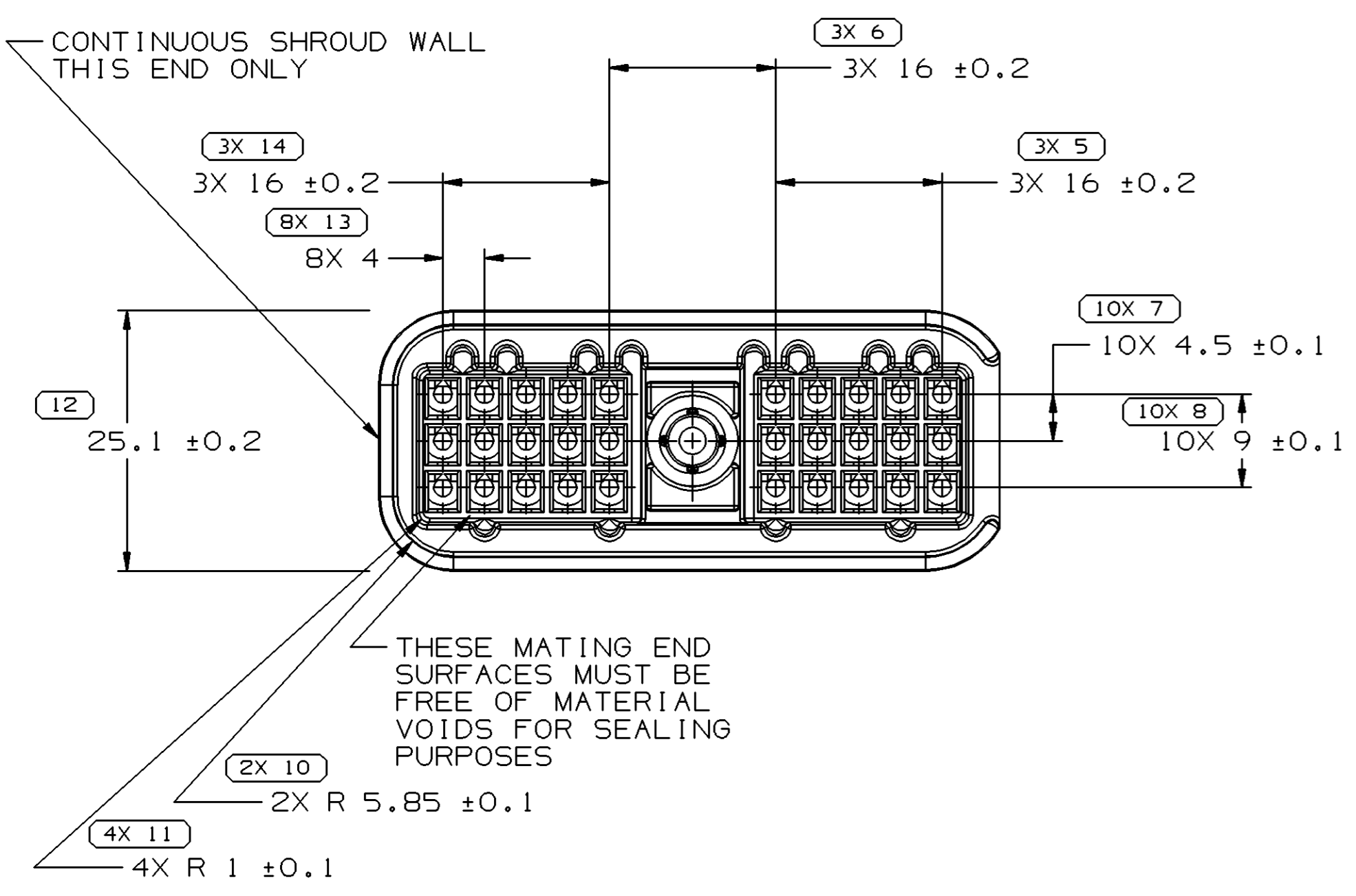
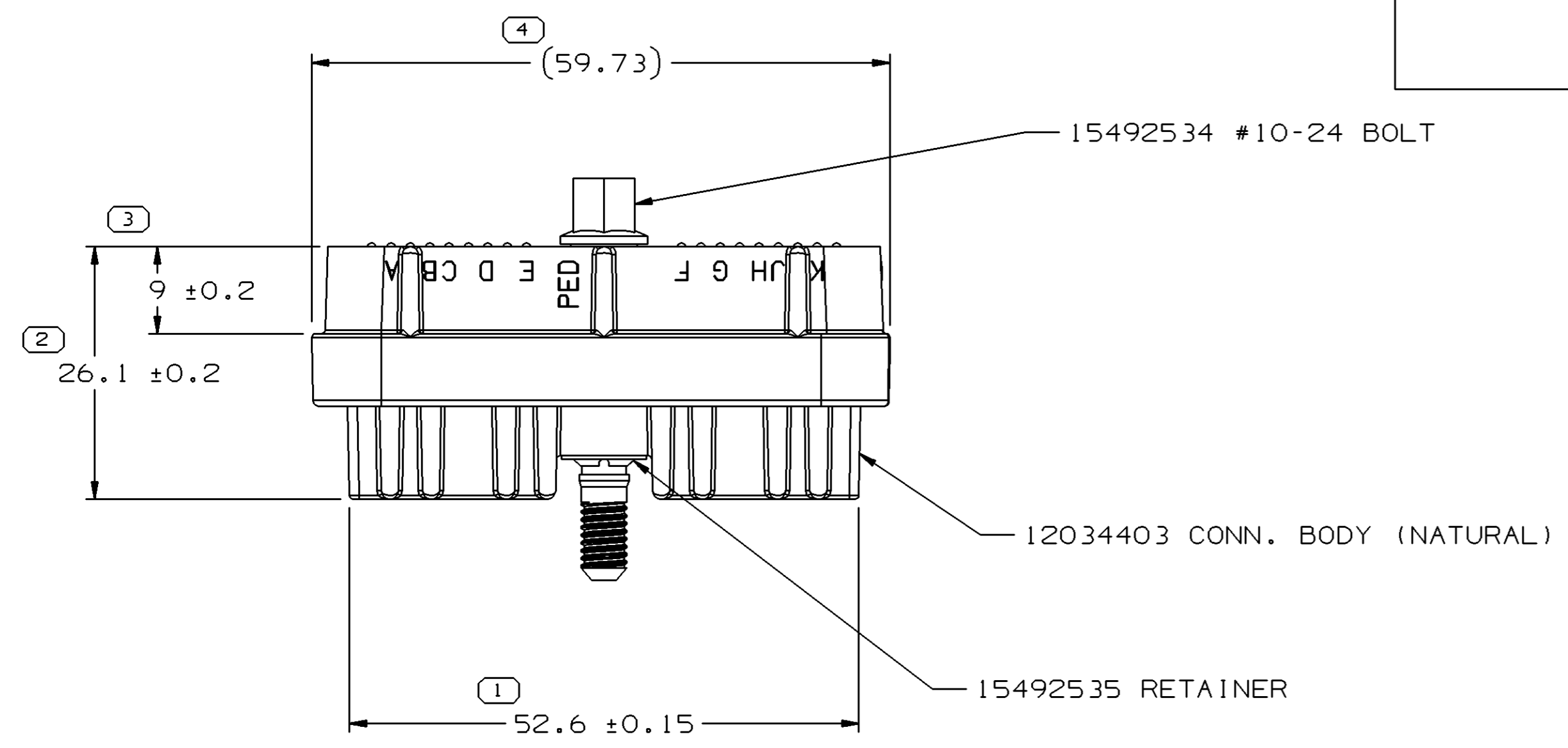


SYMBOL DEFINITION	
A DIMENSION WITHOUT AN INSPECTION REPORT SYMBOL () DOES NOT REQUIRE INSPECTION. IT MAY BE CONTROLLED ON THE INDIVIDUAL COMPONENT DRAWING.	TOTAL NO OF INSPECTIONS REQUIRED
	56
	LAST NO. USED
	15

MISSING SYMBOLS	
	9

DWG STATUS					ZONE	REVISION HISTORY		AUTH	DR	APVD 1	APVD 2
DATE	STG	REV	N/P	CHG							
25MY04	R	01	-	-		RELEASED		255795	JBD	FRG	MGR
26AP05	R	01	AA	-		REMOVED LABEL FOR ASSEMBLY PART NUMBER CALLOUT		266520	JTV	FKV	MGR



NOTES

- UNLESS OTHERWISE SPECIFIED AND/OR INDICATED: DIMENSIONS ARE TO FACE OF VIEW SHOWN AND AUTOMATICALLY ROUNDED BY COMPUTER FOR INSPECTION (SEE MATH MODEL FOR PRECISE DIMENSIONS). FOR ALL OTHER DIMENSIONS NOT SHOWN BUT REQUIRED FOR TOOL BUILD, SEE MATH MODEL FOR PRECISE TOOL PATH DATA.
- THIS PART ACCEPTS THE FOLLOWING COMPONENTS OR EQUIVALENT: CAVITIES TO ACCEPT 12047680 TERMINAL.
- REFERENCE MATING COMPONENTS OR EQUIVALENT: CONNECTOR 12034401
- THIS PART IS NOT CONTROLLED FOR AUTOMATIC FEEDING.
- BOLT TO BE RETAINED IN ASSEMBLY TO A MIN. 400 N.
- RECOMMENDED MATING TORQUE: 0.8 N-M TO 1.5 N-M.
- BOLT MUST ROTATE IN CONNECTOR AT A TORQUE OF LESS THAN 0.6 N-M AFTER RETAINER IS ASSEMBLED.
- SEALING CODE 3 - DESIGN WILL PASS SALT FOG AND IMMERSION TEST AFTER CONDITIONING AS SPECIFIED IN ESA-644 (WEATHER-PACK), ESA-710 (METRI-PACK), ESA-650 (UNDERHOOD MICRO-PACK), C-4006 (WORLD CONNECTOR), ETC WHEN MATED TO MATING PART OR EQUIVALENT

DIMENSIONAL RANGE (MM)		CHART E1	
FROM	TO	TOLERANCE	UNLESS OTHERWISE SPECIFIED
> 0	> 20	±0.15	±0.2
> 20	> 30	±0.3	±0.4
> 30	> 70	±0.4	±0.5
> 70	> 100	±0.5	±0.6
> 100	> 150	±0.6	±0.8
> 150	> 200	±1	±1.2
> 200	> 250		
> 250	> 300		
> 300	> 400		

DWG TYPE	
PART DRAWING	
STYLE	
VOLUME (CM ³)	DISTR CODE
UNLESS OTHERWISE SPECIFIED	
THIS DOCUMENT IS IN ACCORDANCE WITH ASME Y14.5M-1994 AS AMENDED BY THE GM GLOBAL DIMENSIONING AND TOLERANCING ADDENDUM-2001. SEPARATE PATTERNS OF FEATURES MAY BE GAGED SEPARATELY REGARDLESS OF DATUM REFERENCES.	
ALL DIMENSIONS ARE IN MILLIMETERS	
THIRD ANGLE PROJECTION	DO NOT SCALE
USE MATH DATA	

DELPHI
DELPHI PACKARD ELECTRIC SYSTEMS
WARREN, OH

DR	DATE
APVD1 JOSE R. BARRIENTOS	02JL04
APVD2 FCO. RESENDIZ	07JL04
APVD3 MATTHEW ROUSSEL	30JL04
APVD4	
APVD5	

SUBSTANCES OF CONCERN AND RECYCLED CONTENT PER DELPHI 10949001

MATERIAL SEE DRAWING

DRAWING NAME
ASM CONN 30 F M/P 150 NAT SLD

DRAWING NUMBER
15492544

SIZE	SCALE	FRAME NO	SHEET NO	STG	REV	N/P	AA
A1	2:1	1 OF 1	1 OF 1	R	01	AA	