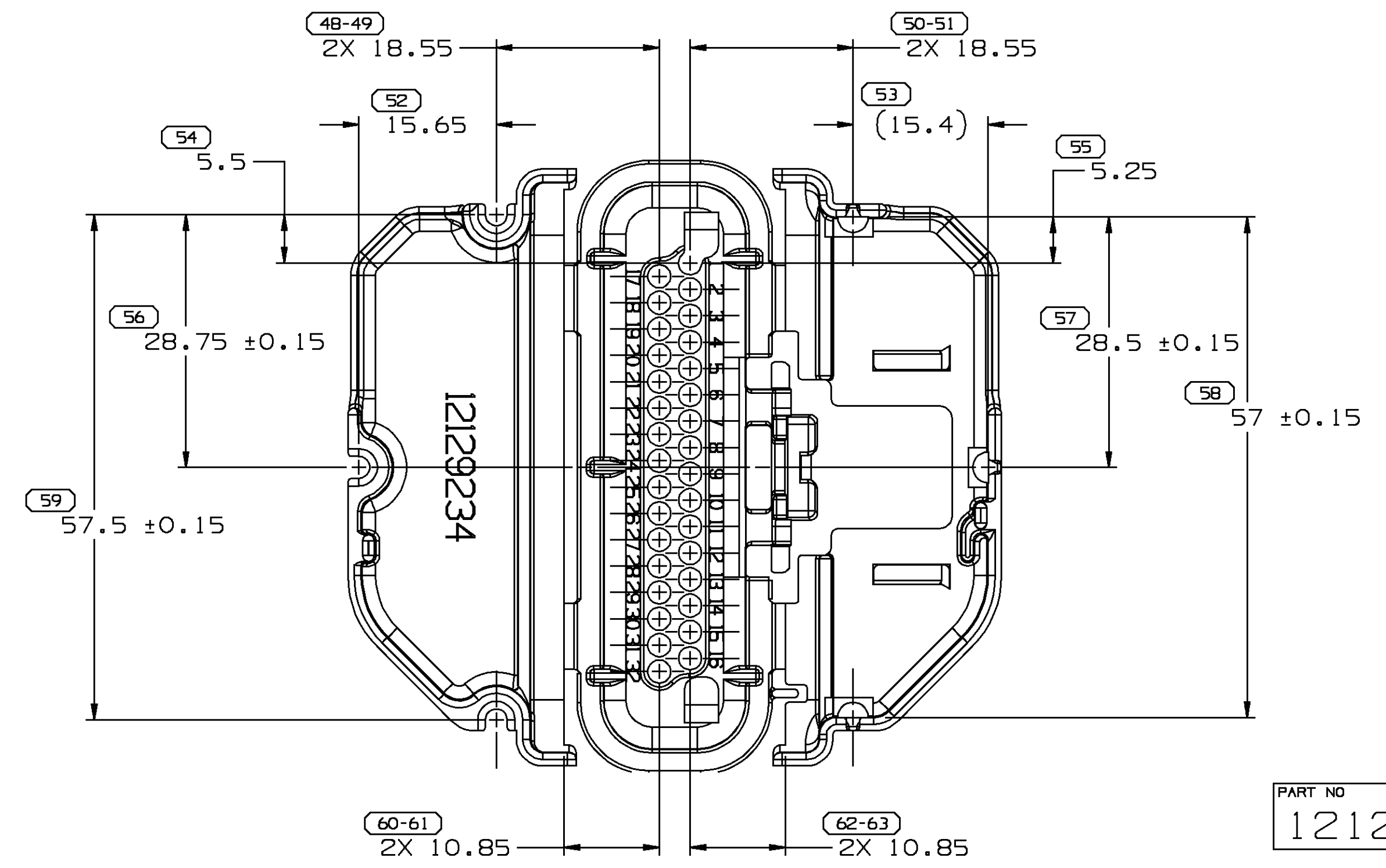
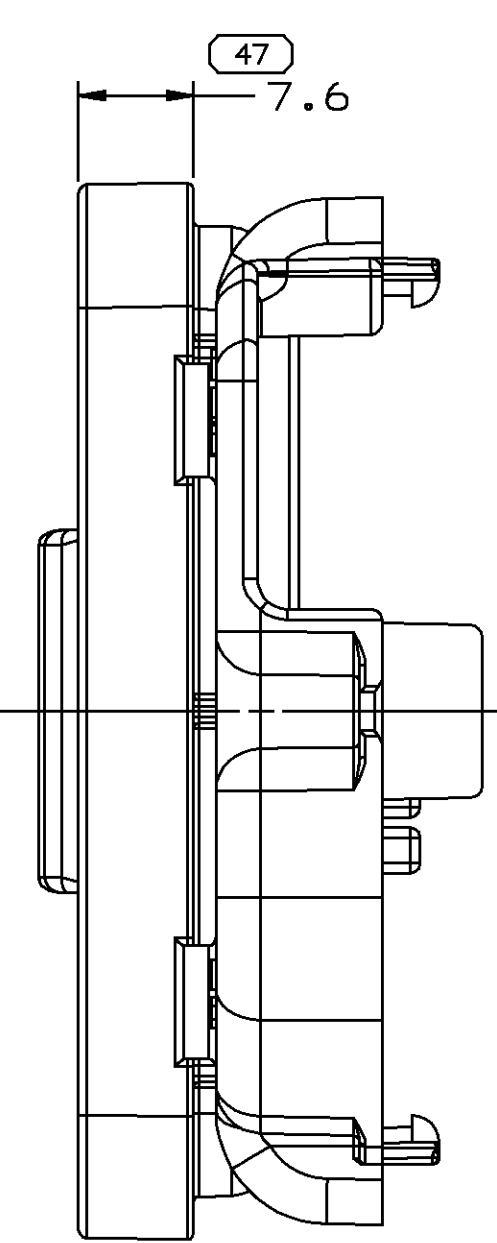
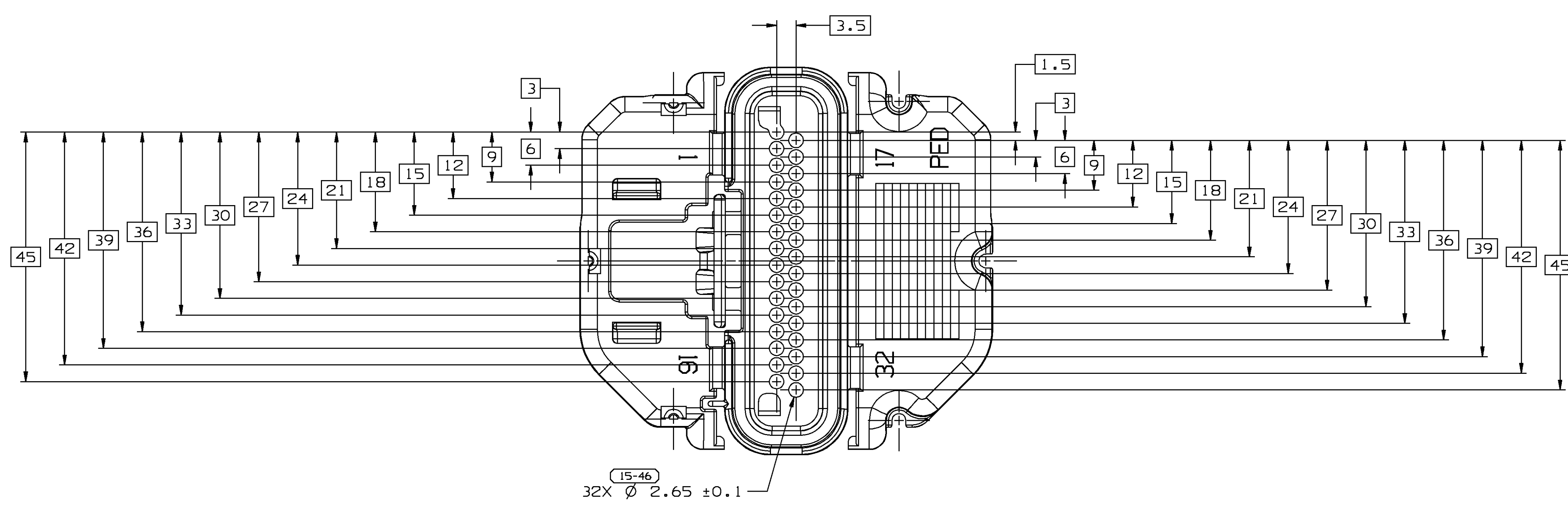
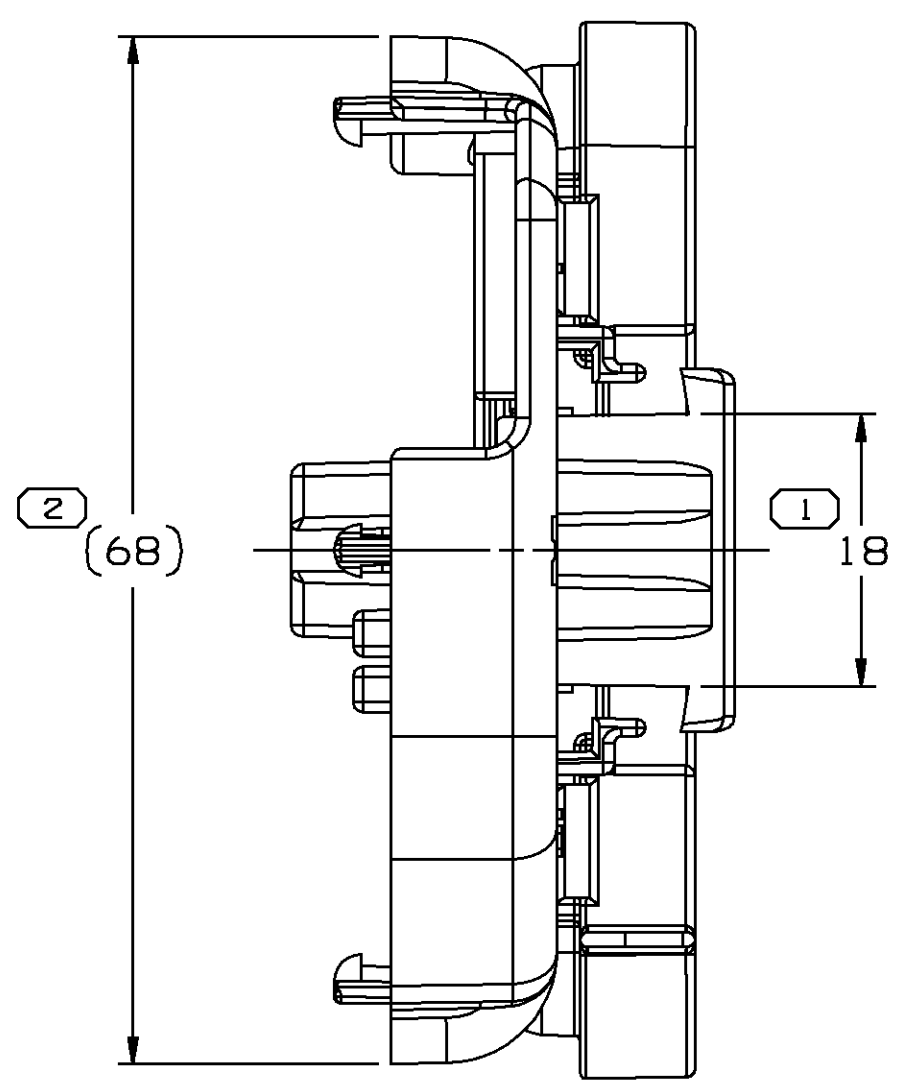
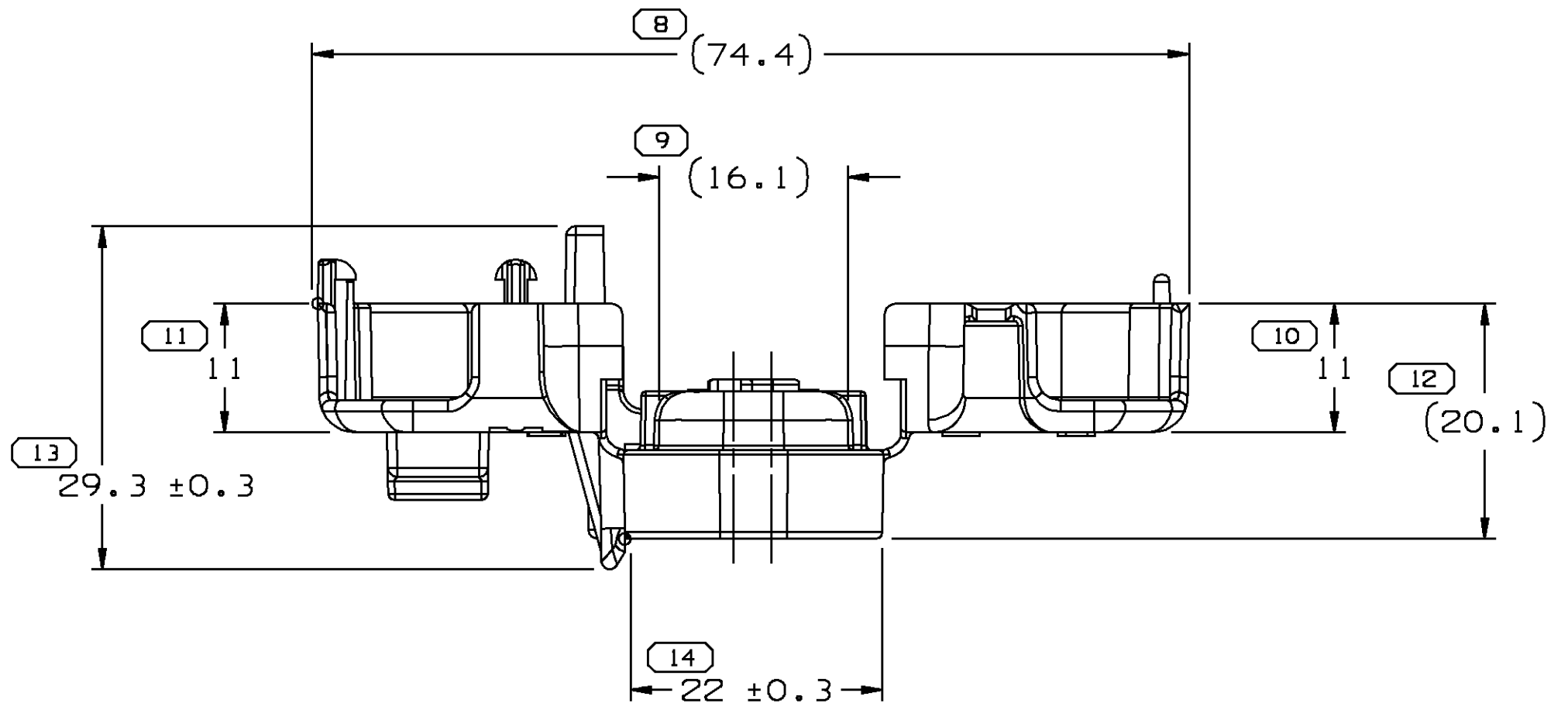


STRAIN RELIEF SHOWN
IN ASSEMBLED POSITION



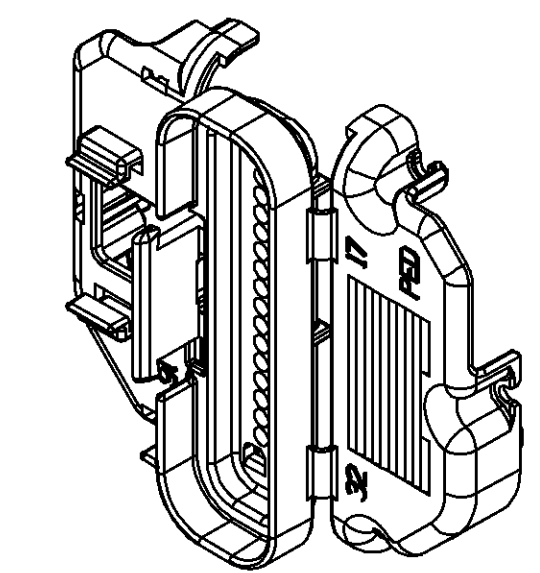
- NOTES
- UNLESS OTHERWISE SPECIFIED AND/OR INDICATED: DIMENSIONS ARE TO FACE OF VIEW SHOWN AND AUTOMATICALLY ROUNDED BY COMPUTER FOR INSPECTION. (SEE MATH MODEL FOR PRECISE DIMENSIONS.) FOR ALL OTHER DIMENSIONS NOT SHOWN BUT REQUIRED FOR TOOL BUILD, SEE MATH MODEL FOR PRECISE TOOL PATH DATA.
 - ENVIRONMENTAL SEAL CLASS CODE 3.
 - MATING COMPONENTS OR EQUIVALENT: FEMALE CONNECTOR 12129228
 - THIS PART ACCEPTS THE FOLLOWING COMPONENTS OR EQUIVALENT: TERMINAL 12084912 SEAL 12129229 C.P.A. 12110299
 - MAX INSULATION CRIMP MUST BE LESS THAN 2.45 HIGH AND 2.45 WIDE.

| SYMBOL DEFINITION | | MISSING NUMBERS | | DATE | SYM | REVISION RECORD | AUTH | DR | CK |
|--|---------------------------------|-----------------|--|---------|-----|-----------------|------|----|----|
| THE NUMBER INSIDE THE SYMBOL CORRESPONDS TO THE NUMBER ON THE INSPECTION REPORT FOR THIS DRAWING/PART NUMBER | TOTAL NO. OF SYMBOLS ON DRAWING | 28 | | 14JAN99 | E3 | REDRAWN TO PD | | | |
| | LAST NO. USED | 63 | | | | | | | |

| DATE | SYM | REVISION RECORD | AUTH | DR | CK |
|---------|-----|-----------------|------|----|----|
| 14JAN99 | E3 | REDRAWN TO PD | | | |

PART NO
1212 9234

PART NO
1212 9234



THE FOLLOWING APPLY UNLESS OTHERWISE SPECIFIED:

PERFECT FORM REQUIRED FOR FEATURES OF SIZE AT MMC. AT TRUE POSITION, TOLERANCES, AND RELATED DATUMS, APPLY AT CONDITION OF SIZE INDICATED IN FEATURE CONTROL FRAME. OTHER GEOMETRIC TOLERANCES, AND RELATED DATUMS, APPLY SEPARATELY. TRUE POSITION CALCULATED MAY BE OBTAINED SEPARATELY, REGARDLESS OF DATUM REFERENCE. SEE GM STANDARDS, AND APPLICABLE DIVISIONAL STANDARDS FOR INTERPRETATION.

GEOMETRIC DRAWING SYMBOLS

| | | |
|----------------------------------|----------------------|--------------------------------------|
| FLAT | PROFILE OF A LINE | PARALLEL |
| STRAIGHT | PERPENDICULAR | TRUE POSITION |
| ROUND | PROFILE OF A SURFACE | CIRCULAR RUNOUT |
| CYLINDRICAL | ANGULAR | TOTAL RUNOUT |
| MAXIMUM MATERIAL CONDITION (MMC) | DIAMETER | TOLERANCE UNLESS OTHERWISE SPECIFIED |
| LEAST MATERIAL CONDITION (LMC) | [XX] BASIC DIMENSION | ANGULAR TOLERANCE ± 2° |
| REGARDLESS OF FEATURE SIZE (RFS) | | |
| PROJECTED TOL. ZONE | | |

DIMENSIONS ENCLOSED IN () INDICATE REFERENCE DIMENSIONS AND NO TOLERANCE LIMITS ARE ESTABLISHED

DIMENSIONAL RANGE

| | | | | | |
|------|----|------|------|------|-------|
| FROM | 0 | > 20 | > 30 | > 70 | > 100 |
| TO | 20 | 30 | 70 | 100 | |

PART NUMBER: 1212 9234

STRAIN RLF 32F MIC/P 100W LH

SIZE: AO

PART DRAWING

THIRD ANGLE PROJECTION

Ugraphics

CODE NO: 6901

DWG DATE: 09AU91

SCALE: 2:1

REFERENCE NO: 001,701

DESIGNER: O'BRIAN MADISON 045E91

DRAWN: O'BRIAN MADISON 055E91

APPR: CHRIS REIDER 195E91

MATERIAL SPEC: RO071760 TEEB 82D-BLK

NAME: STRAIN RLF 32F MIC/P 100W LH

1212 9234

SIZE: AO

DELPHI PACKARD ELECTRIC SYSTEMS
WARREN, OHIO 44090