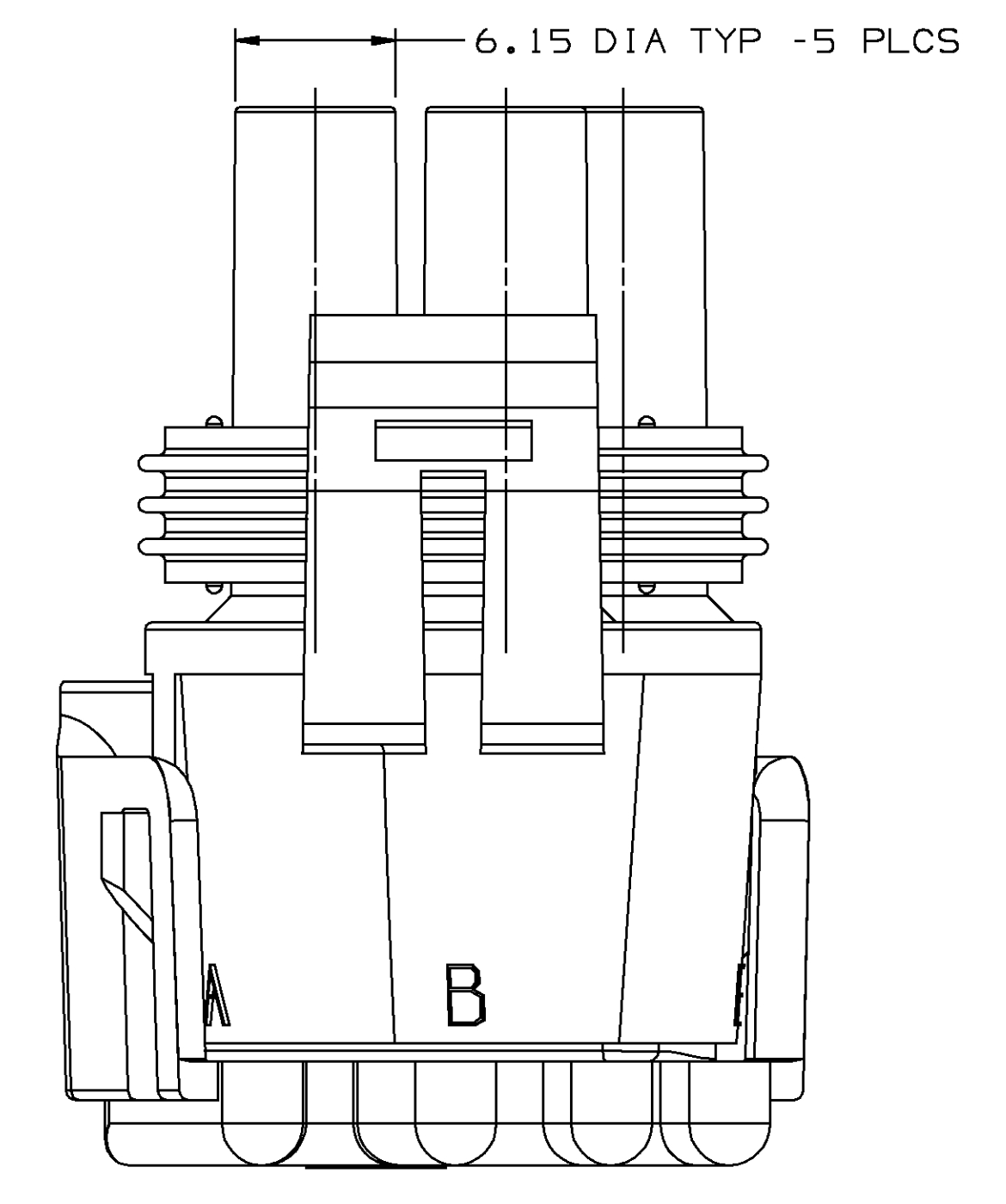
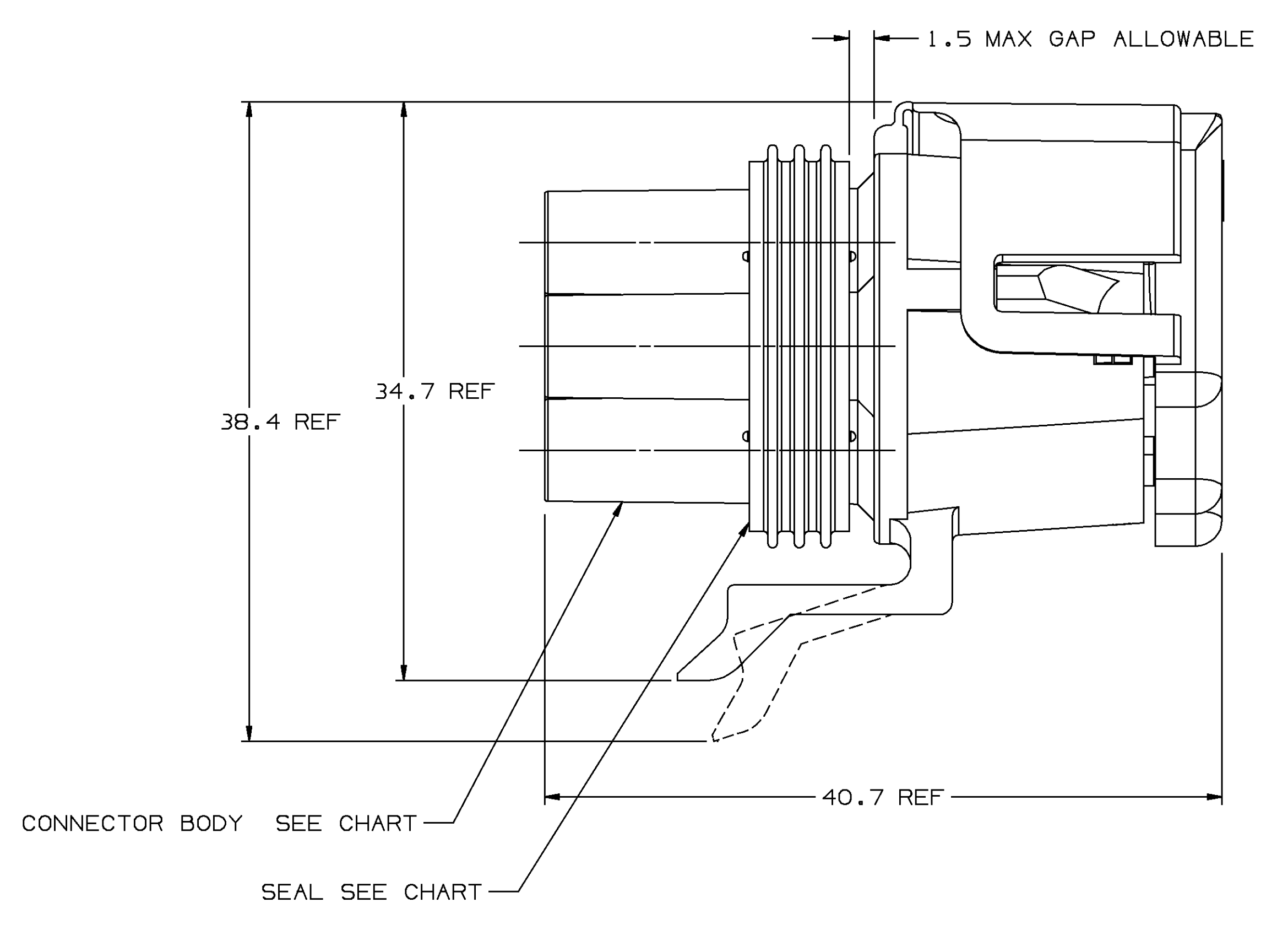
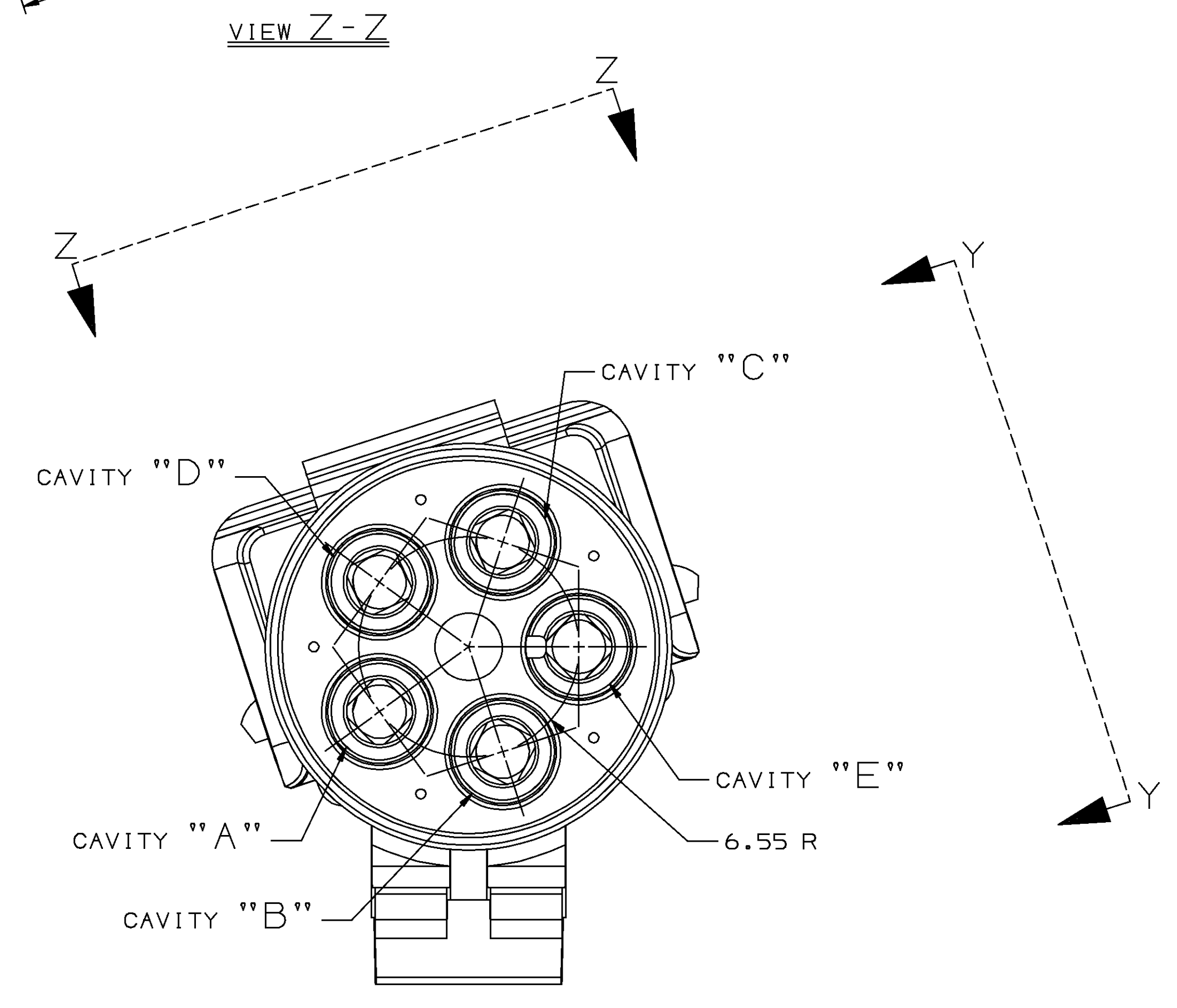
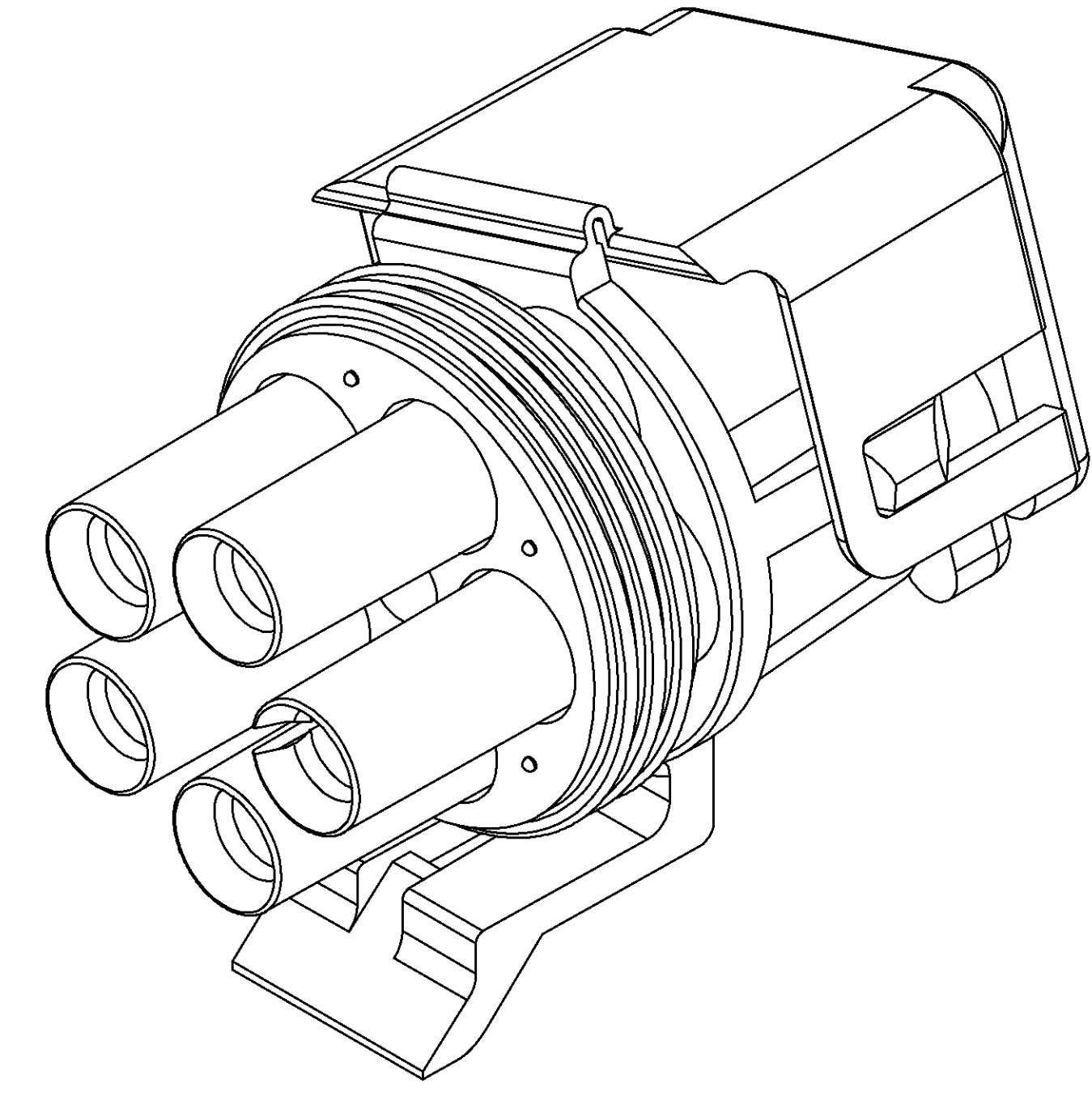
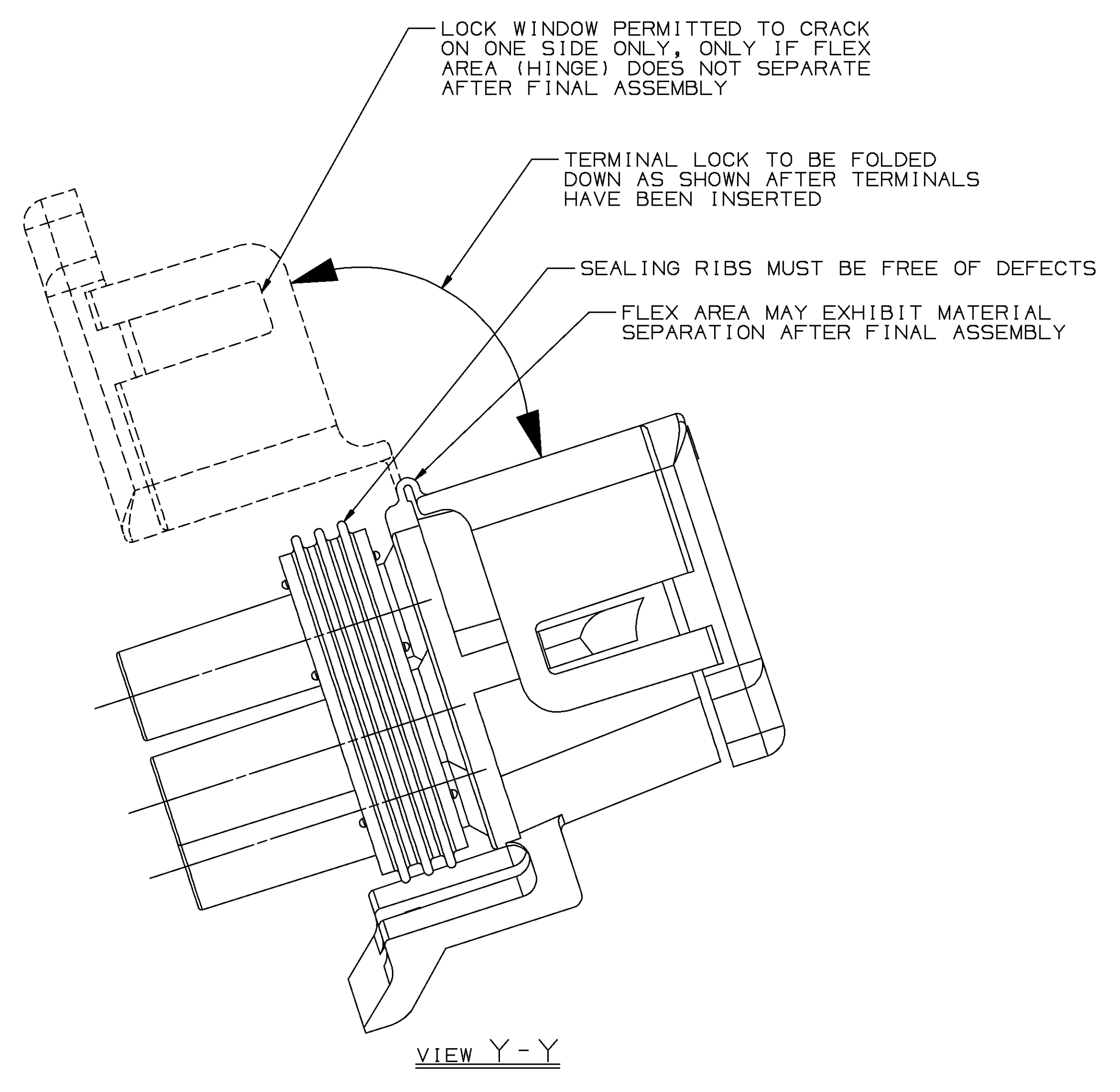
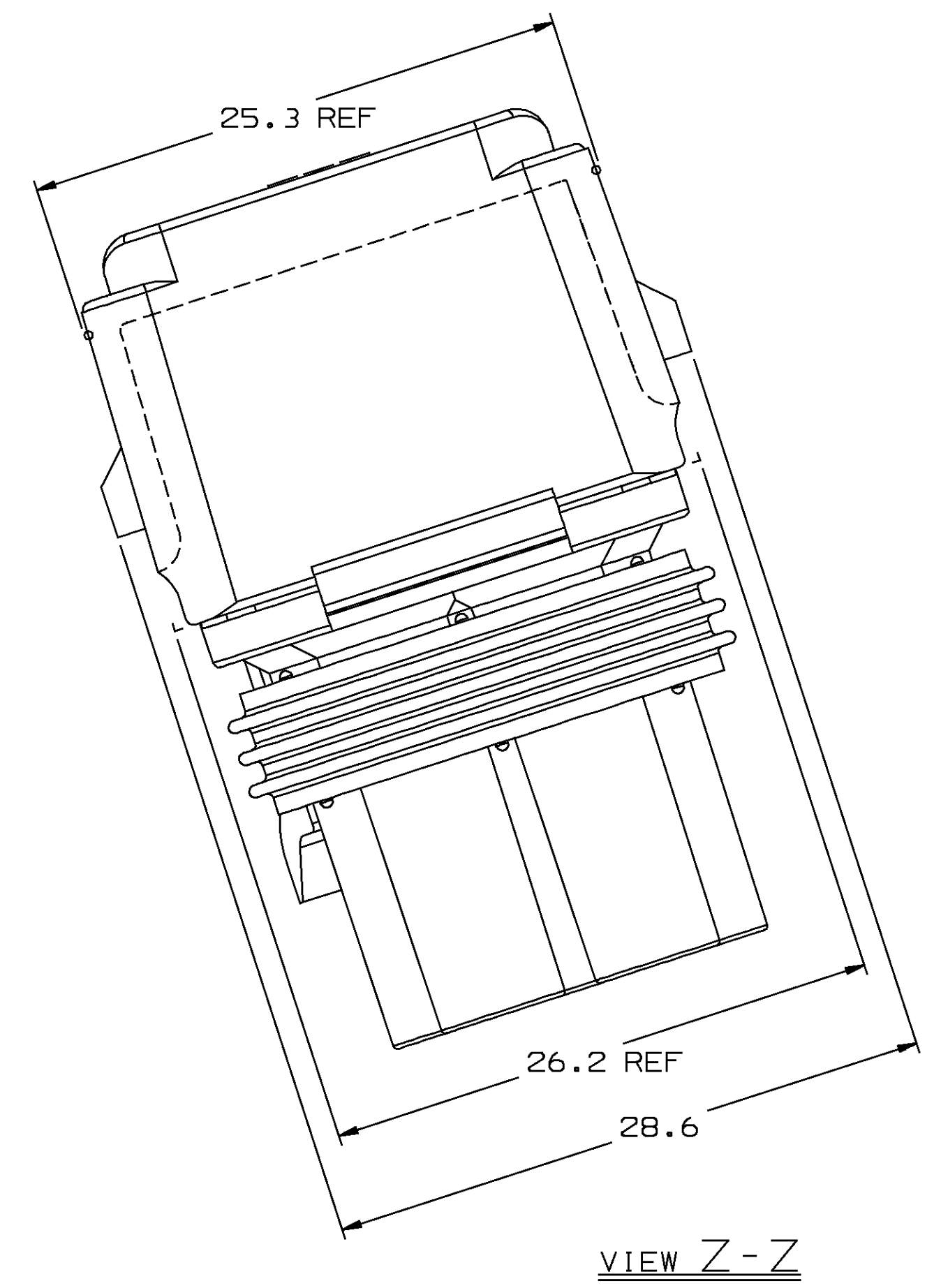


| DATE | SYM | REVISION RECORD | AUTH | DR | CK |
|--------|-----|-------------------------|------|--------|---------|
| 240C97 | | 15324197 - RELEASED TO | | | |
| | | REV "A" | | 970005 | JBS/JHY |
| 240C97 | | 12034342 - WAS SEPARATE | | | |
| | | "C" SIZE - REV LEVEL | | | |
| | | REMAINS AT "A" | | 182643 | JBS/JHY |



NOTES:

- UNLESS OTHERWISE SPECIFIED AND/OR INDICATED: DIMENSIONS ARE TO FACE OF VIEW SHOWN AND AUTOMATICALLY ROUNDED BY COMPUTER FOR INSPECTION. (SEE MATH MODEL FOR PRECISE DIMENSION) FOR ALL OTHER DIMENSIONS NOT SHOWN BUT REQUIRED FOR TOOL BUILD, SEE MATH MODEL FOR PRECISE TOOL PATH DATA.
- MATING CONNECTOR - SEE CHART.
- USE MALE TERMINAL 12089040 OR EQUIVALENT FOR "PANEL MOUNT" APPLICATIONS.
- USE FEMALE TERMINAL 12089188 OR EQUIVALENT FOR "IN-LINE" APPLICATIONS.
- WHEN PARTS ARE SHIPPED, THEY MUST BE PACKED IN PLASTIC BAGS, OR SHIPPING CONTAINERS MUST BE LINED WITH PLASTIC LINERS. BAGS OR LINERS MUST BE SEALED TO AVOID ENTRY OF FOREIGN MATTER.
- SEALING CODE 3.
- WHEN DESIGNING A PART TO MATE TO THIS WEATHER PACK CONNECTOR, REQUEST THE LATEST COPY OF DRAWING NUMBER 12020084 FROM THE PACKARD ELECTRIC DIVISION.

DESIGN WILL PASS SALT FOG AND IMMERSION TEST AFTER CONDITIONING AS SPECIFIED IN ESA-644 (WEATHER-PACK), ESA-710 (METRI-PACK), ESA-650 (UNDERHOOD MICRO-PACK), C-4006 (WORLD CONNECTOR), ETC. - WHEN MATED TO MATING PART OR EQUIVALENT.

PART NO
1532 4199

PART NO
1532 4199

| | | | |
|-------------------------------------|-----------------|---|--|
| DRAWING TYPE PID | | OTHER DRAWINGS AVAILABLE | |
| | | METRIC DIMENSIONS ARE IN MILLIMETERS UNLESS OTHERWISE SPECIFIED | |
| THIRD ANGLE PROJECTION | | TOLERANCE UNLESS OTHERWISE SPECIFIED DECIMALS ANGULARS 2° | |
| CODE NO 6900 | QC | DES ONE PLACE ±0.3 TWO PLACE ±0.15 | |
| DWG DATE 240C97 | DR J. BARQUIN | 240C97 | |
| SCALE 4:1 | CK JOSE HUERTA | 18N097 | |
| REFERENCE NO | APPRO. GALLEGOS | 09DE97 | |
| MATERIAL SPEC | | SEE CHART | |
| NAME TAXI ASM CONN 5 W/P TWR SLD | | | |
| PART NUMBER 1532 4199 | | SIZE AO | |

| PART NO | REV | STATUS | TYPE | CONNECTOR BODY | STANDARD DESCRIPTION | REFERENCE TERMINAL/GENDER | SEAL | MATING CONNECTOR |
|----------|-----|--------|------|----------------|-------------------------|---------------------------|----------|------------------|
| 15324197 | A | | 102 | 15324196 | ASM CONN 5F W/P TWR SLD | 12089188 - FEMALE | 12034278 | 12065158 |
| 12034342 | A | | 101 | 12034277 | ASM CONN 5M W/P TWR SLD | 12089040 - MALE | 12034278 | 12034276 |

DELPHI PACKARD ELECTRIC SYSTEMS
WARREN, OHIO 44690