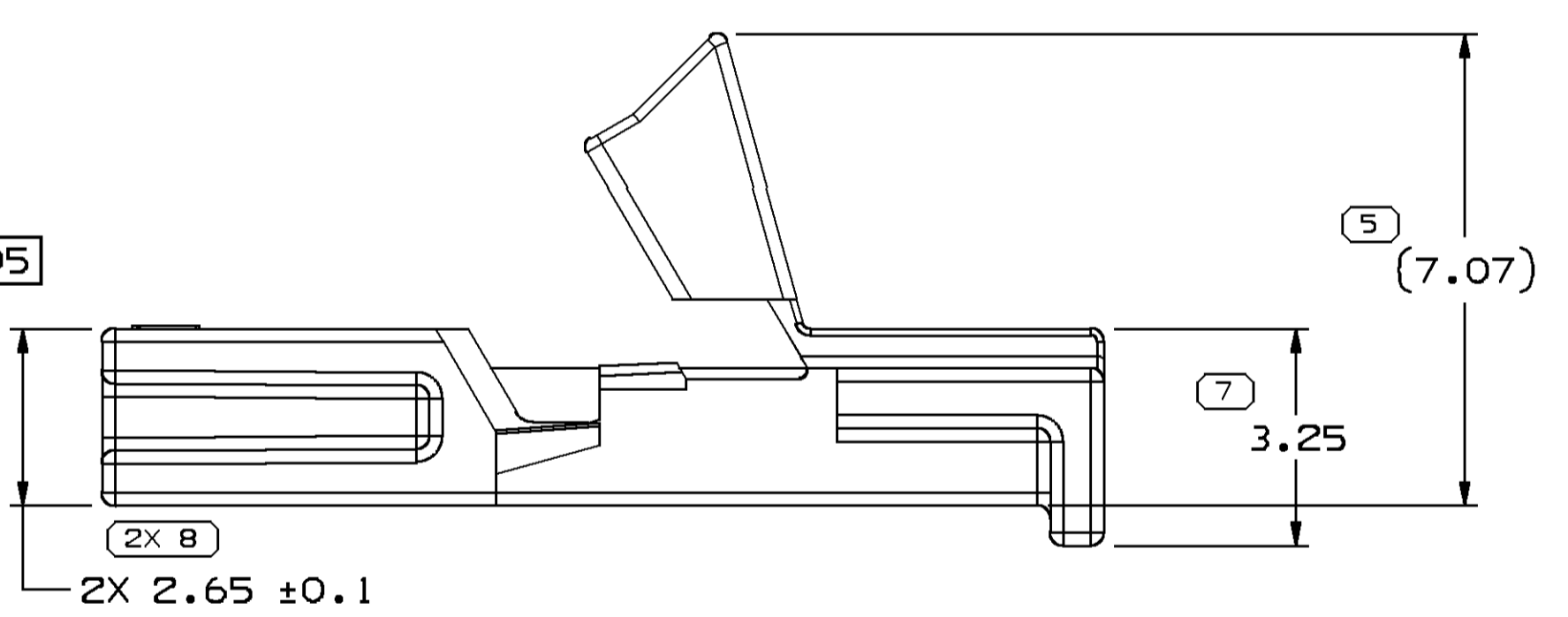
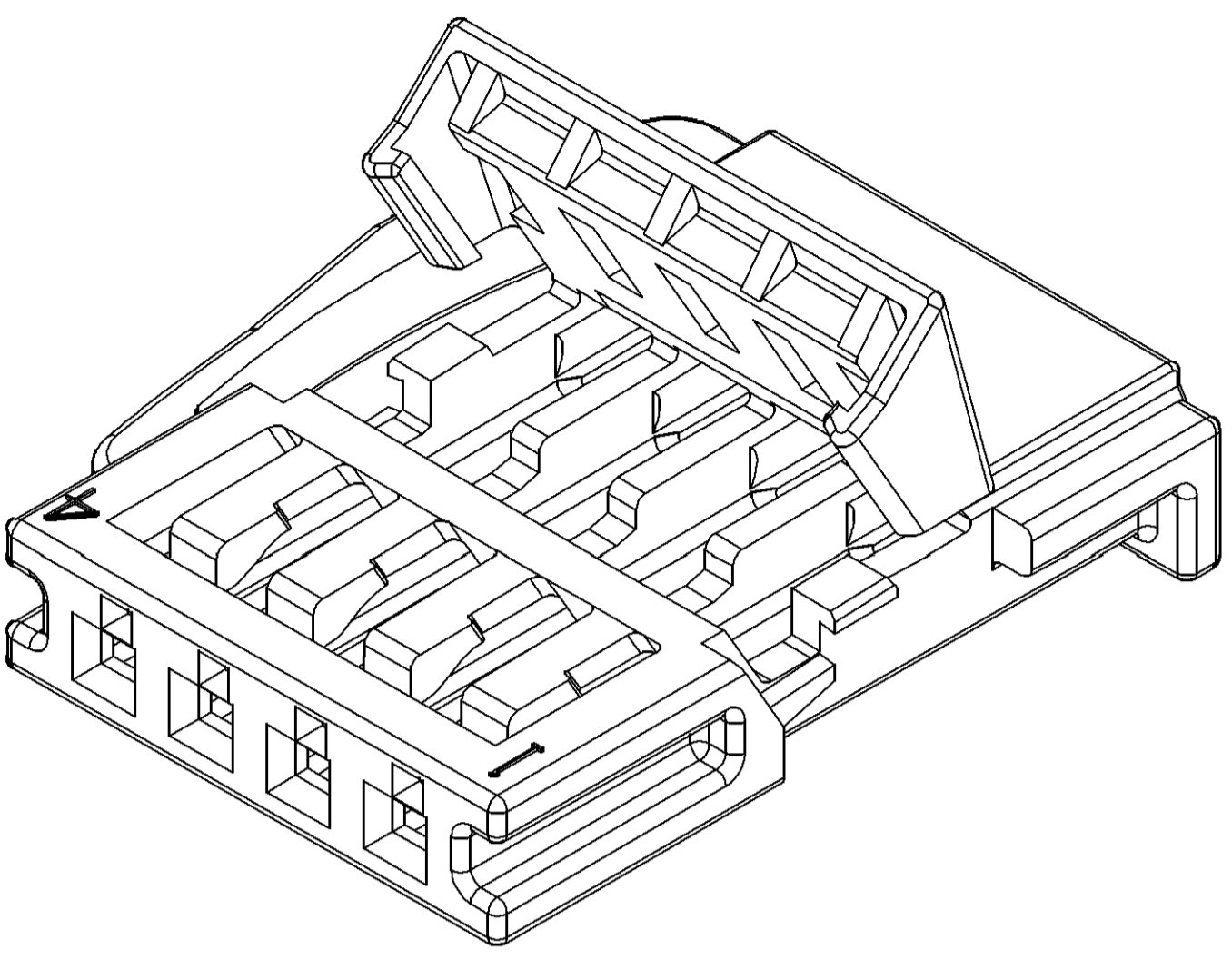


SYMBOL DEFINITION	
A DIMENSION WITHOUT AN INSPECTION REPORT SYMBOL DOES NOT REQUIRE INSPECTION. IT MAY BE CONTROLLED ON THE INDIVIDUAL COMPONENT DRAWING.	TOTAL NO OF INSPECTIONS REQUIRED
	10
	LAST NO. USED
	10

MISSING SYMBOLS	
	1 6

DWG STATUS					REVISION HISTORY			AUTH	DR	APVD 1	APVD 2
DATE	STG	REV	N/P	CHG	ZONE						
20JUL11	R	01	-			WAS PE211983. ADDED NOTE 5.	414467	MB	MB	TWM	
190C11		02	-			REVISED SECONDARY LOCK AND CONNECTOR LOCK. DIM 3 WAS 12.4 +/-0.1.	415723	MB	MB	TWM	
01DE11	R	03	-			MODIFIED SECONDARY LOCK. ADDED NOTE 6.	416303	MB	MB	TWM	
24MR12	R	04	-			REVISED GRAPHICS AND MAT'L SPEC WAS M4629002	417383	JTZ	JTZ	TWM	
22MY12	R	05	-			REVISED GRAPHICS	418140	AJP	AJP	TWM	
24AU12	R	06	-			UPDATED PDM ATTRIBUTES	419343	MAB	MAB	TWM	
10SE12	R	06	AA	-		UPDATED PDM ATTRIBUTES	419539	APB	JVM	TWM	



NOTES

- UNLESS OTHERWISE SPECIFIED AND/OR INDICATED:
DIMENSIONS ARE TO FACE OF VIEW SHOWN AND AUTOMATICALLY ROUNDED BY COMPUTER FOR INSPECTION (SEE MATH MODEL FOR PRECISE DIMENSIONS). FOR ALL OTHER DIMENSIONS NOT SHOWN BUT REQUIRED FOR TOOL BUILD, SEE MATH MODEL FOR PRECISE TOOL PATH DATA.
- MATERIAL RECYCLING CODE PER ISO 11469. (1)X(0.0.5) CHARACTERS AS SHOWN TO BE LOCATED ON ANY EXTERIOR SURFACE.
- (0.9)X(0.05) DELPHI CORPORATE BRAND TO BE LOCATED ON ANY EXTERIOR SURFACE, PREFERABLY VISIBLE AT FINAL ASSEMBLY. OPTIONAL CONSTRUCTION FOR EXISTING TOOLING MAY BE "PED".
- FOR APPLICATION DATA SEE THE APPLICATION DRAWING.
- MATING HEADER IRISO ELECTRONICS CO.; LTD UP-1102140 OR EQUIVALENT.
- THIS PRODUCT IS NOT CATEGORIZED AS AN APPEARANCE ITEM, MINOR IMPERFECTIONS INCLUDING, BUT NOT LIMITED TO, FLOW MARKS, COLOR BLEMISHES, GATE VESTIGE, AND SOFT FLASH THAT DO NOT AFFECT THE FIT, FORM, OR FUNCTION OF THE PART ARE PERMISSIBLE PER DPNP-4.7-CS-01.

DIMENSIONAL RANGE (MM)		CHART E1
FROM	TO	
> 0	> 20	> 30
> 20	> 30	> 70
> 30	> 70	> 100
> 70	> 100	> 150
> 100	> 150	> 200
> 150	> 200	> 250
> 200	> 250	> 300
> 250	> 300	> 400

INDICATES THAT PHYSICAL PARTS ARE NOT AVAILABLE FOR ORDERING.	
PART NUMBERS THAT DO NOT HAVE A LINE PRESENT INDICATE THAT PHYSICAL PARTS ARE AVAILABLE FOR ORDERING.	
CONTACT DELPHI SALES TO ASSURE AVAILABILITY OF PARTS.	
DWG TYPE: PART DRAWING	
STYLE: 0.239	
DISTR CODE: D	
UNLESS OTHERWISE SPECIFIED THIS DOCUMENT IS IN ACCORDANCE WITH ASME Y14.5M-1994 AS AMENDED BY THE GM GLOBAL DIMENSIONING AND TOLERANCING ADDENDUM-2001. SEPARATE PATTERNS OF FEATURES MAY BE GAGED SEPARATELY REGARDLESS OF DATUM REFERENCES.	
ALL DIMENSIONS ARE IN MILLIMETERS	
THIRD ANGLE PROJECTION	
DO NOT SCALE USE MATH DATA	

DELPHI
 DELPHI PACKARD ELECTRICAL/ELECTRONIC ARCHITECTURE
 WARREN, OH
 COPYRIGHT 2011 DELPHI CORPORATION AND/OR ITS AFFILIATES. ALL RIGHTS RESERVED.
 THIS DRAWING IS THE PROPERTY OF DELPHI CORPORATION. THE REPRODUCTION, DISTRIBUTION AND UTILIZATION OF THIS DOCUMENT OR ITS RELATED CAD MATH DATA, AS WELL AS COMMUNICATION OF ANY CONTENT TO OTHERS, WITHOUT EXPRESS AUTHORIZATION IS PROHIBITED.

DR	DATE
APVD1 M. BASHKIN	22JL11
APVD2 M. BASHKIN	22JL11
APVD3 T. MADDEN	22JL11
APVD4	
APVD5	

SUBSTANCES OF CONCERN AND RECYCLED CONTENT PER DELPHI 10949001

MATERIAL: POLYESTER COMPOUND BLACK

DRAWING NAME: CONN 4 F OCS 0.50

DRAWING NUMBER: 13879342

SIZE	SCALE	FRAME NO	SHEET NO	STG	REV	N/P
A1	10:1	1 OF 1	1 OF 1	R	06	AA