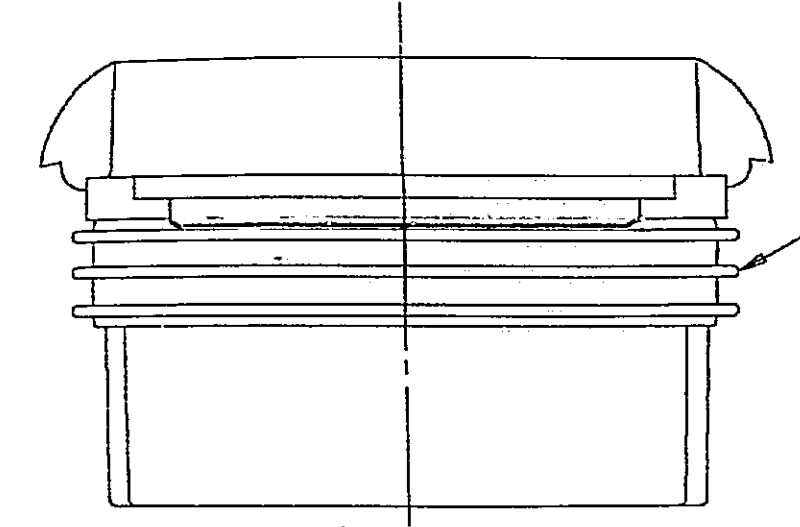


THIS DRAWING AND DESIGN HEREON CONSTITUTE A PROPRIETARY DESIGN OF PACKARD ELECTRIC DIVISION AND IS NOT TO BE DUPLICATED OR REPRODUCED WITHOUT AUTHORITY OF PACKARD ELECTRIC DIVISION.

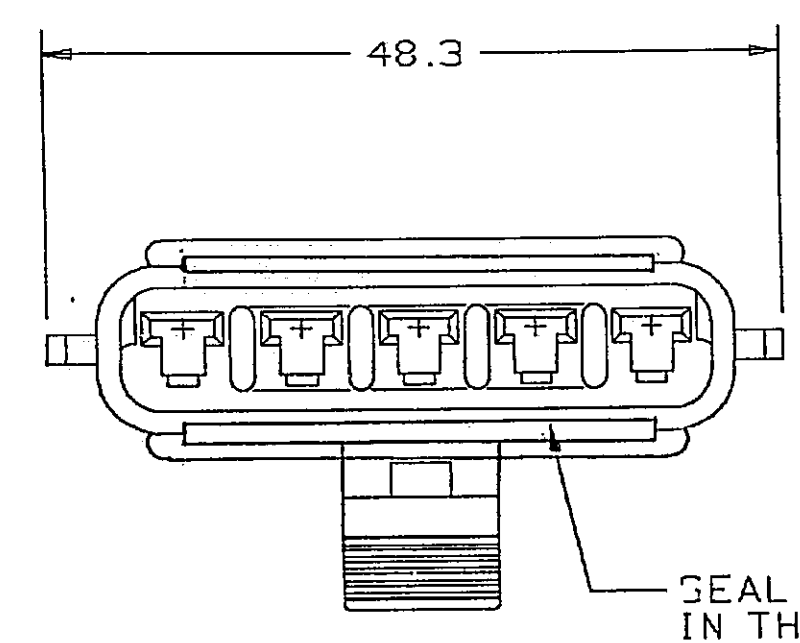
DO NOT SCALE

PART NO. 1530 0030

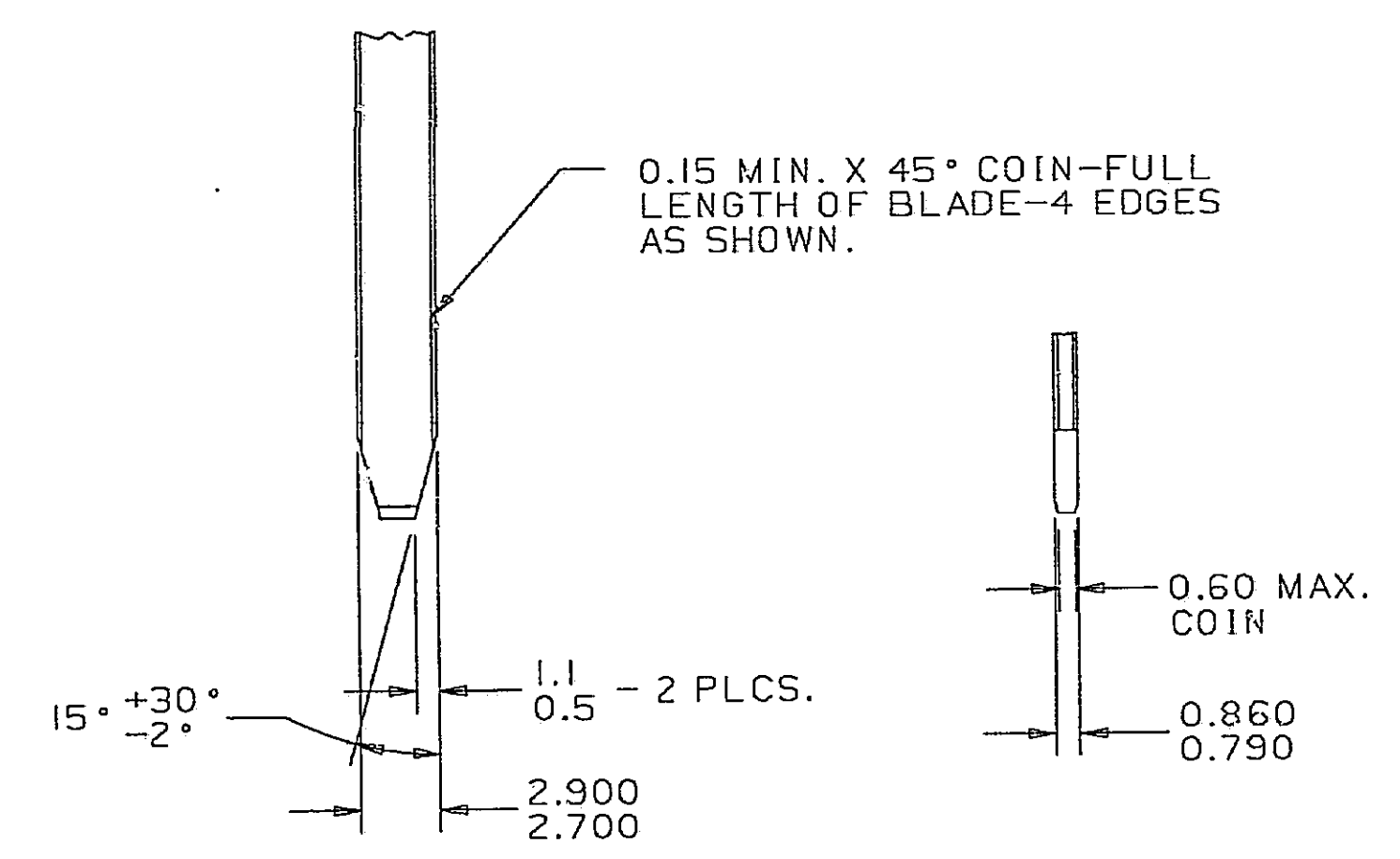
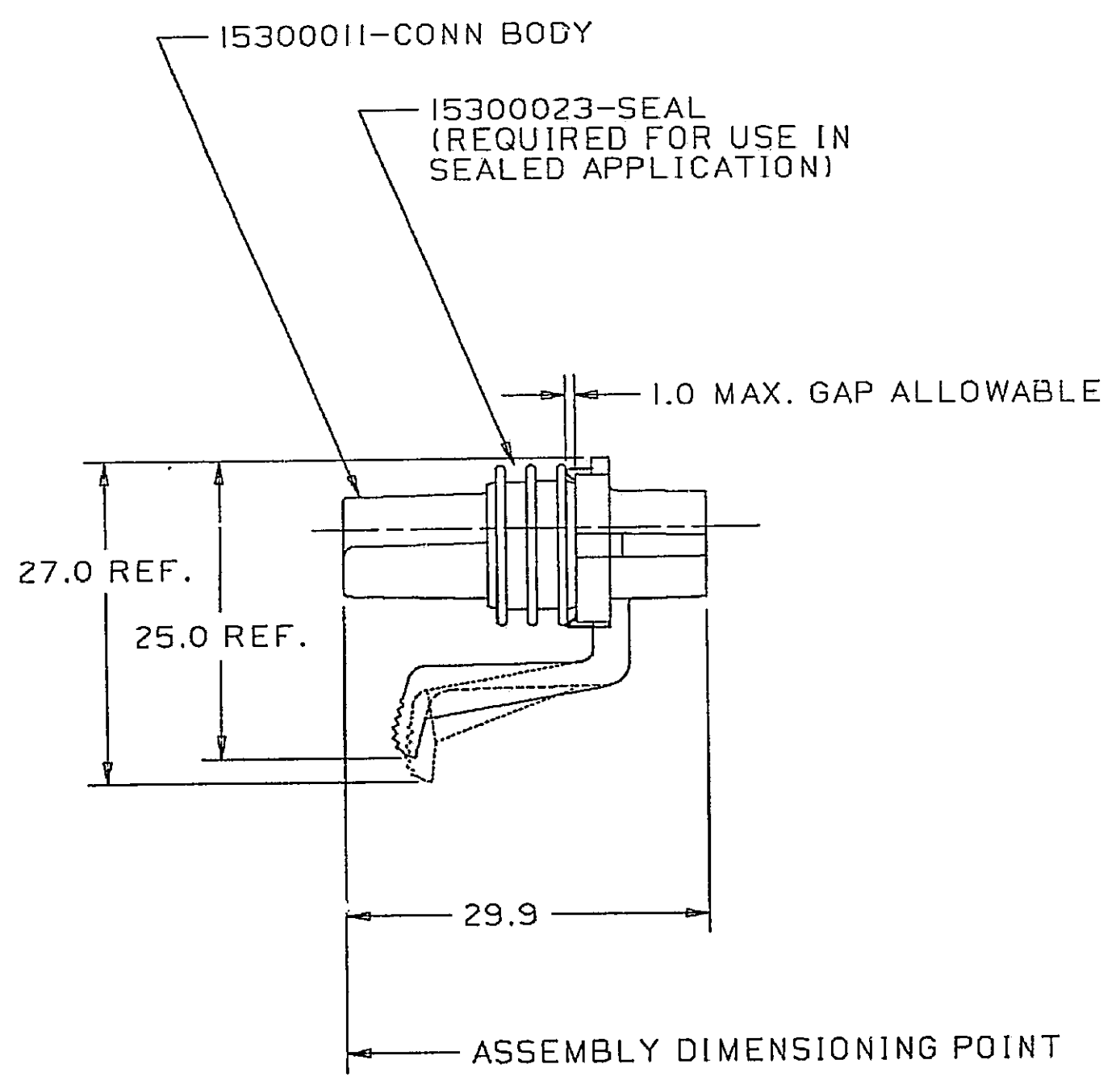
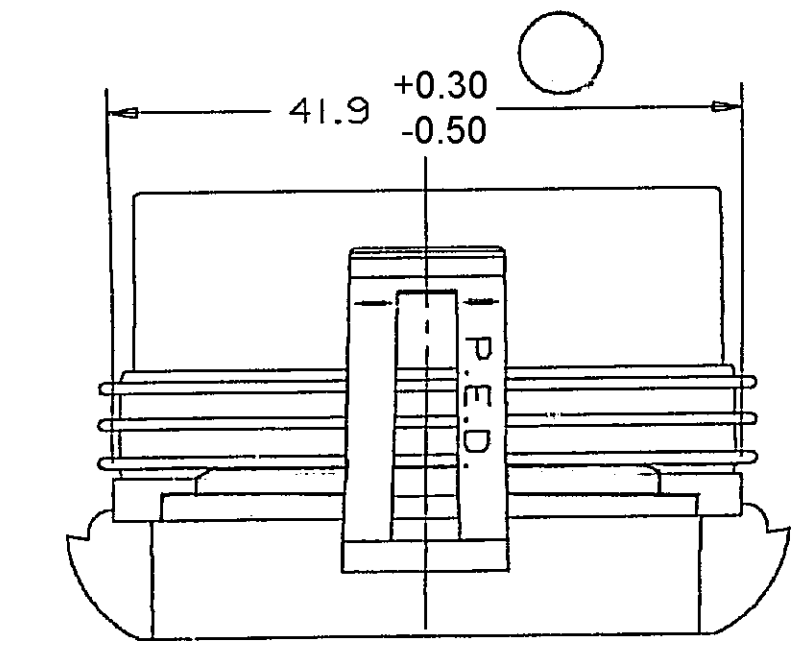
PART NO. 1530 0030



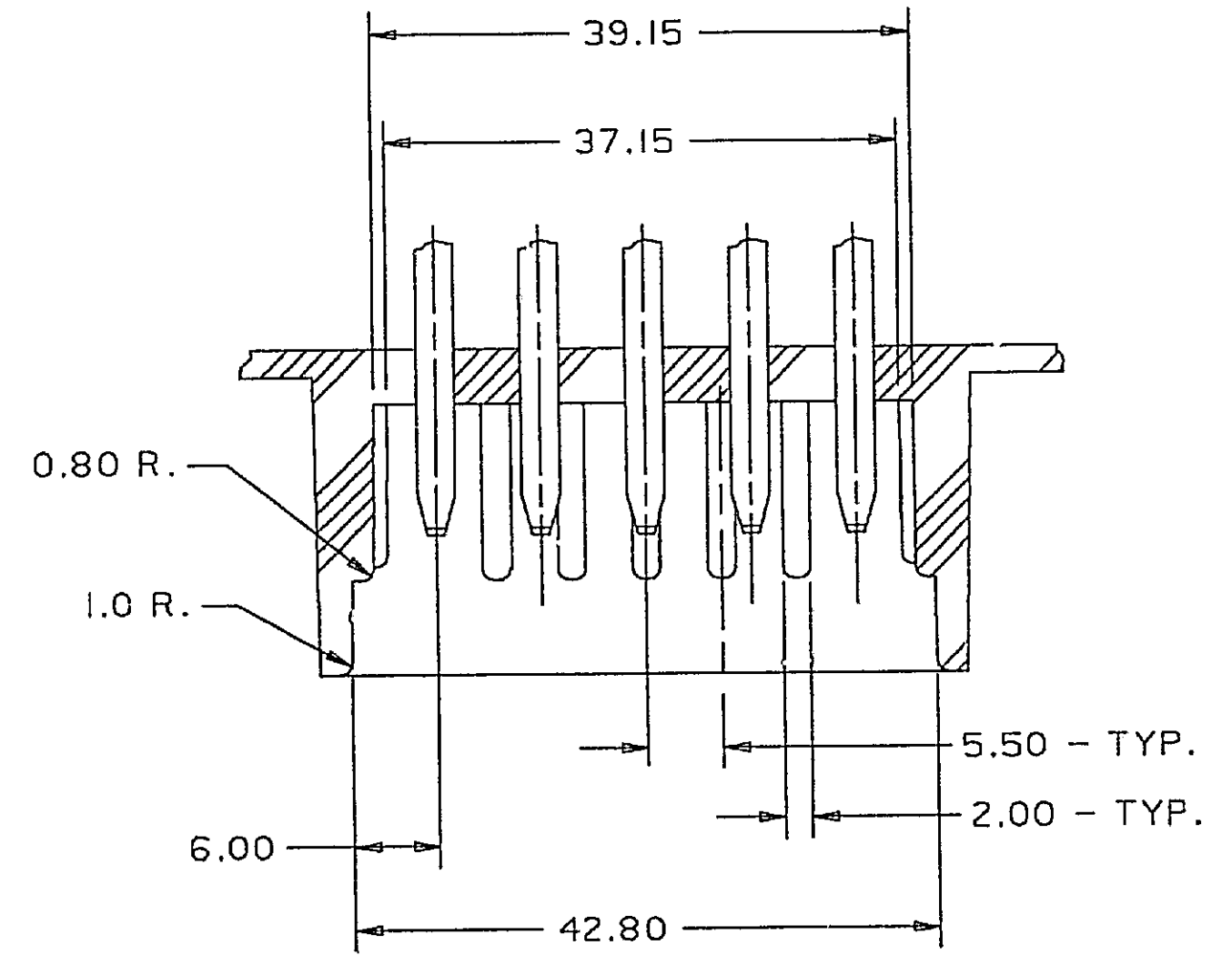
SEALING RIBS MUST BE FREE OF DEFECTS.



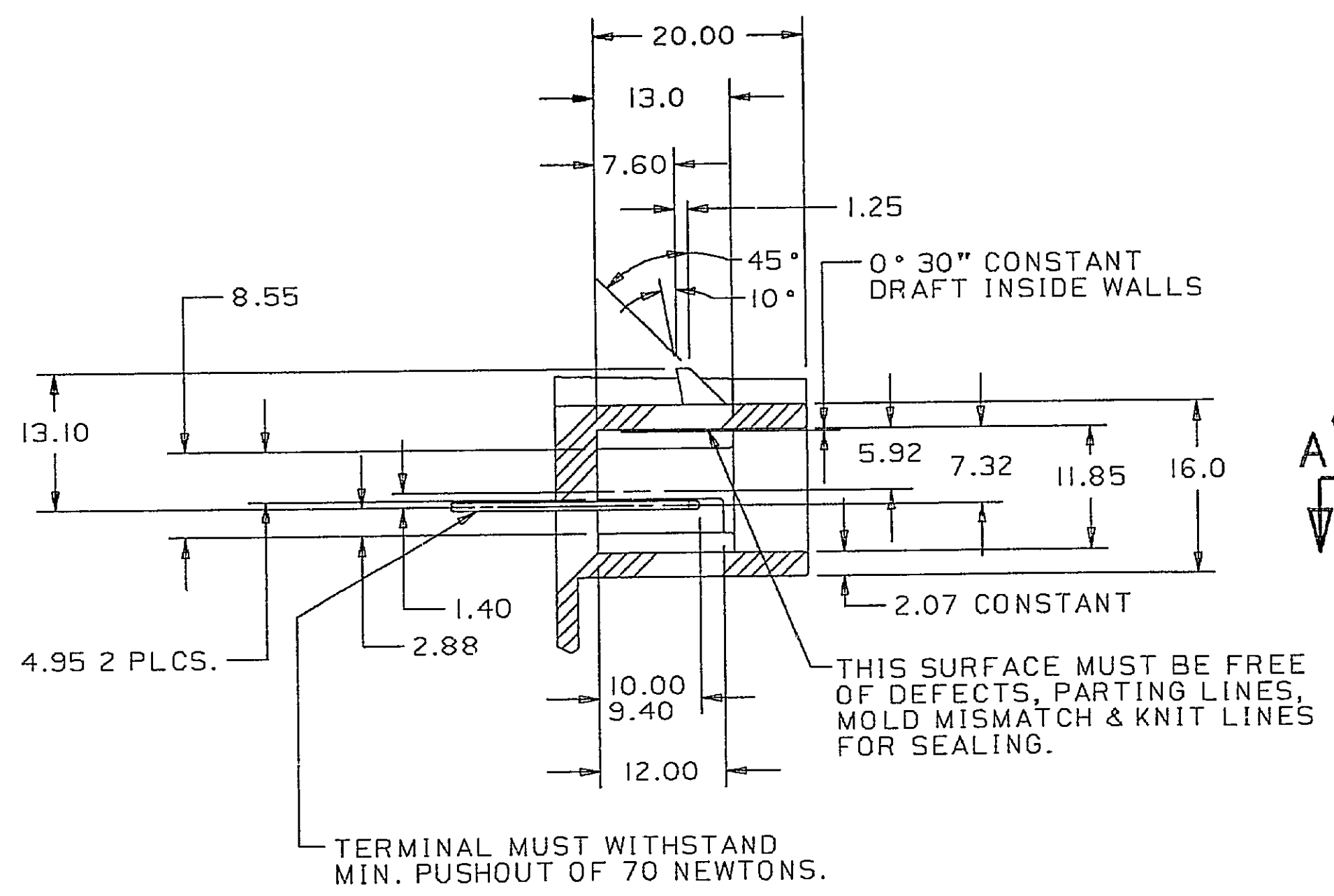
SEAL NOT SHOWN IN THIS VIEW FOR CLARITY



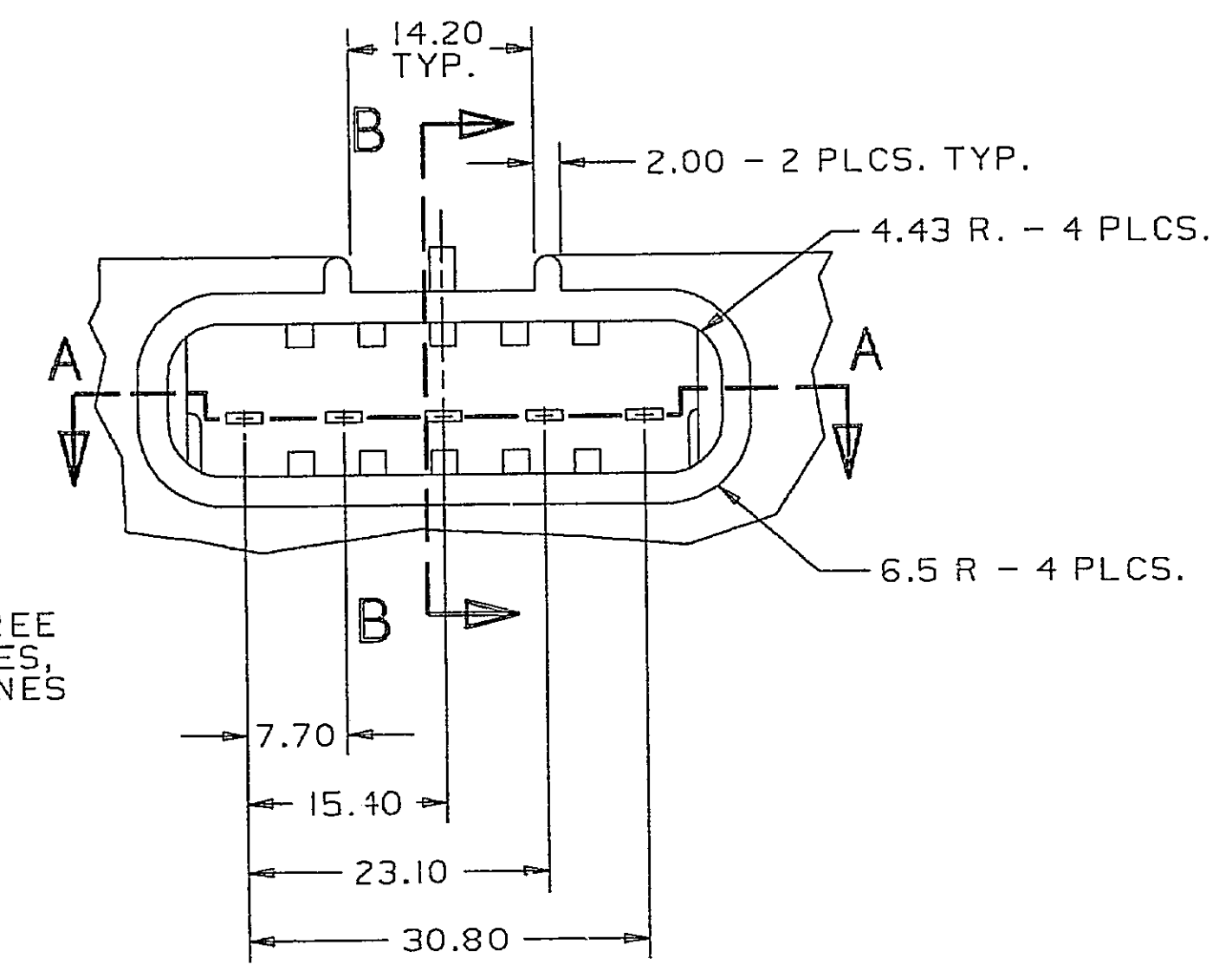
BLADE DETAIL
SCALE 4:1



SECTION A-A



SECTION B-B



MATING VIEW

- NOTES —
1. USE FEMALE TERMINAL I2077412 OR EQUIVALENT FOR SEALED APPLICATIONS. USE FEMALE TERMINAL I2015823 OR EQUIVALENT FOR UNSEALED APPLICATIONS.
 2. USE CABLE SEAL I2015323 OR EQUIVALENT FOR SEALED APPLICATIONS.
 3. MATING PART - FISHER-GUIDE - REAR LIGHTING MODULE OR EQUIVALENT.
 4. WHEN PARTS ARE SHIPPED, THEY MUST BE PACKED IN PLASTIC BAGS OR SHIPPING CONTAINERS MUST BE LINED WITH PLASTIC LINERS. BAGS OR LINERS MUST BE SEALED TO AVOID ENTRY OF FOREIGN MATTER.
 5. SEALING CODE 3.

THIS SURFACE MUST BE FREE OF DEFECTS, PARTING LINES, MOLD MISMATCH & KNIT LINES FOR SEALING.

TERMINAL MUST WITHSTAND MIN. PUSHOUT OF 70 NEWTONS.

DATE	SYM	REVISION RECORD	AUTH	DR	CK
08AP85		REDRAWN FROM "C" SIZE, MATING VIEW ADDED- REV. SYM. REMAINS AT "A"			
25JN86		6.00 DIM. WAS 6.15 & RELOCATED WITNESS LINE.	97138	GP	GF
17JL86		NOTE #3 MATING PART WAS I5300005	106980	JP	TM
15SE87		ADDED NOTE #5	107815	RS	RHW
09DE87	A1	ADDED BLADE DETAIL, DIMS (2 PLCS.) & REMOVED 2.33 CONSTANT DIM.	115653	TBD	TM
09JA89	A2	TERMINAL I2077412 WAS I2034454 & REMOVED PATENT PENDING	117391	JC	
12DE94	B	ADDED ANTI-BUNCHING LIPS	880009	JEM	JEM
25JA95	B1	REVISED GRAPHICS	163198	FJ	FH
05SE08	B2	DIM 41.9 +0.30/-0.50 WAS 41.9 +/-0.30	163257	TB	TB
			405975	EC	WM

DUPLICATE TRACING

As of 06 JL 90 this drawing is no longer being maintained on computer vision.

METRIC
DIMENSIONS ARE IN MILLIMETERS UNLESS OTHERWISE SPECIFIED

THIRD ANGLE PROJECTION

CODE NO. 6300
TOLERANCE UNLESS OTHERWISE SPECIFIED
DECIMAL: ONE PLACE ± 0.3 TWO PLACE ± 0.15 ANGULAR ± 2°

QC -C-5110
DWG. DATE 02MY83 SCALE 2:1 DR. G. PHILLIPS 08AP85
CD.A.15300030 CK. G. FERANCE DATE 22AP85
REFERENCE NO. APPR. F. MLAKAR DATE 29AP85
APP. A. WINYARD DATE 29AP85

MATERIAL SPEC. SEE DRAWING C05D1116
NAME ASM CONN 5F M/P 280
PART NO. 1530 0030 SIZE D
PACKARD ELECTRIC

PACKARD ELECTRIC DIVISION
GENERAL MOTORS CORPORATION
WARREN, OHIO