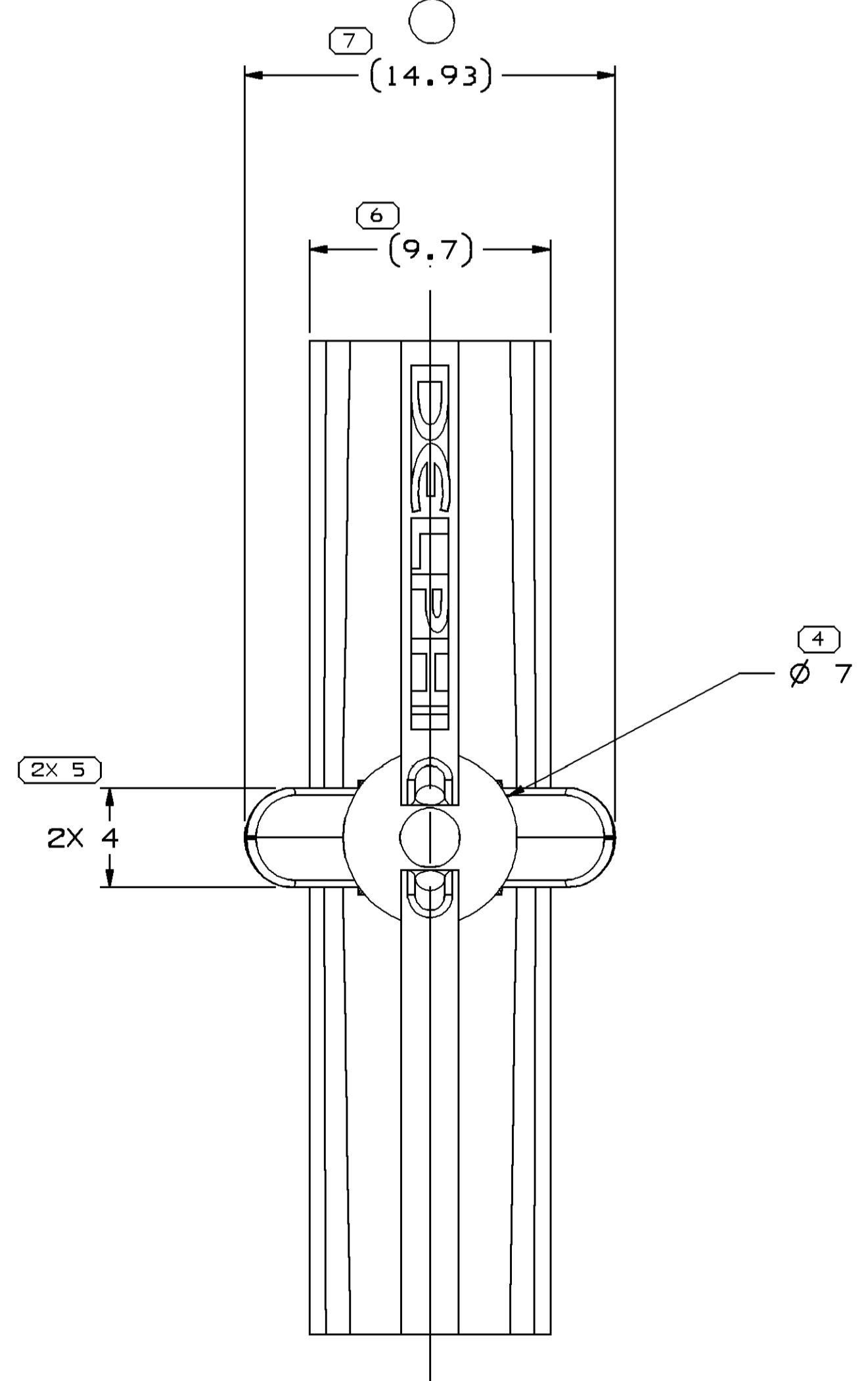
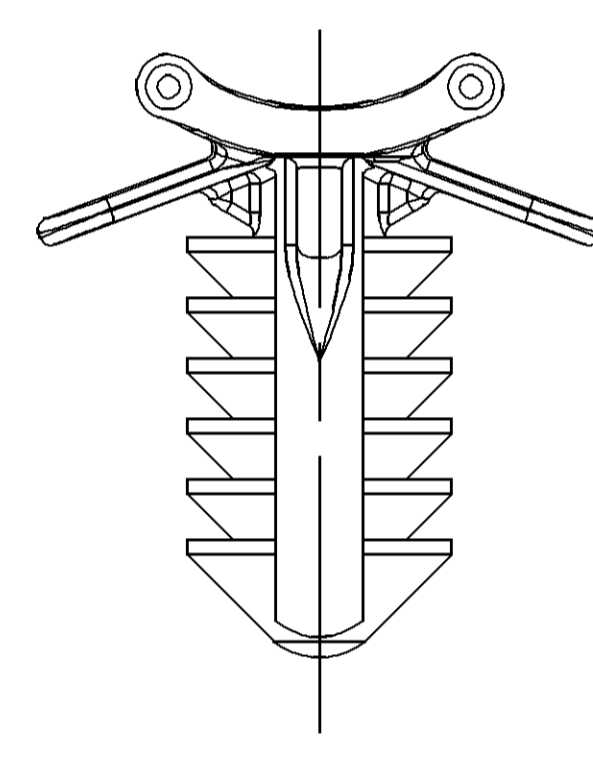
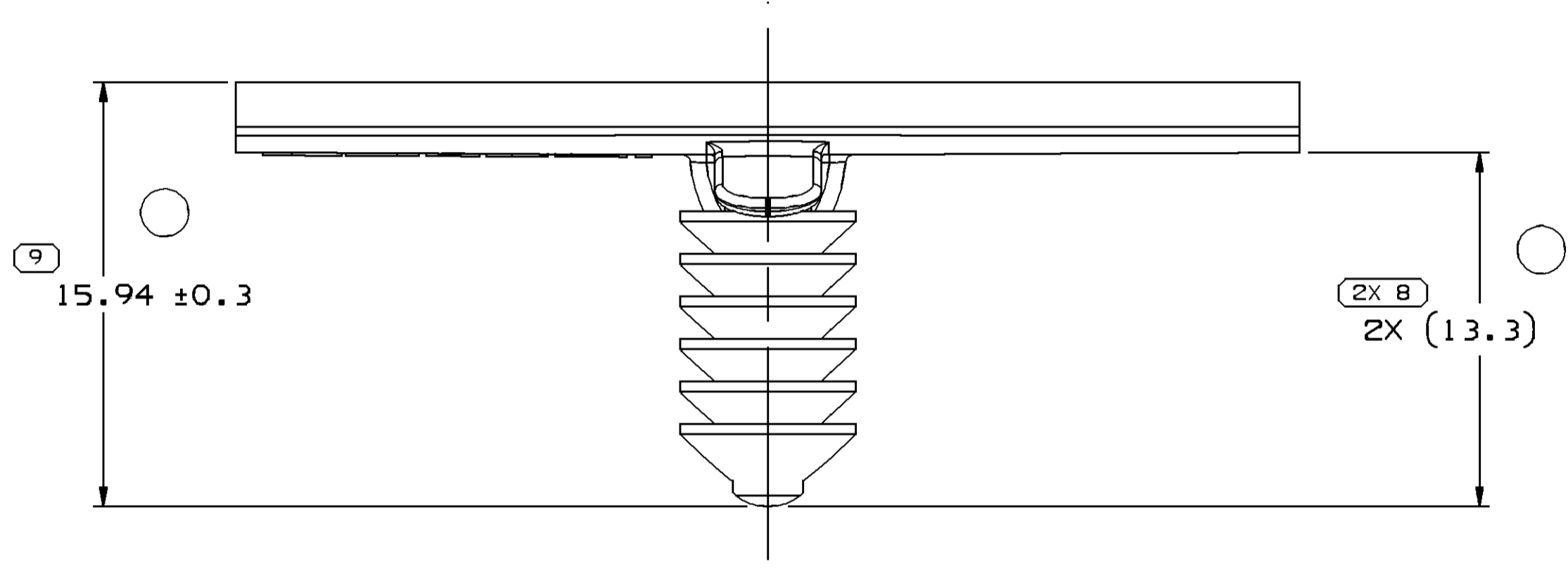
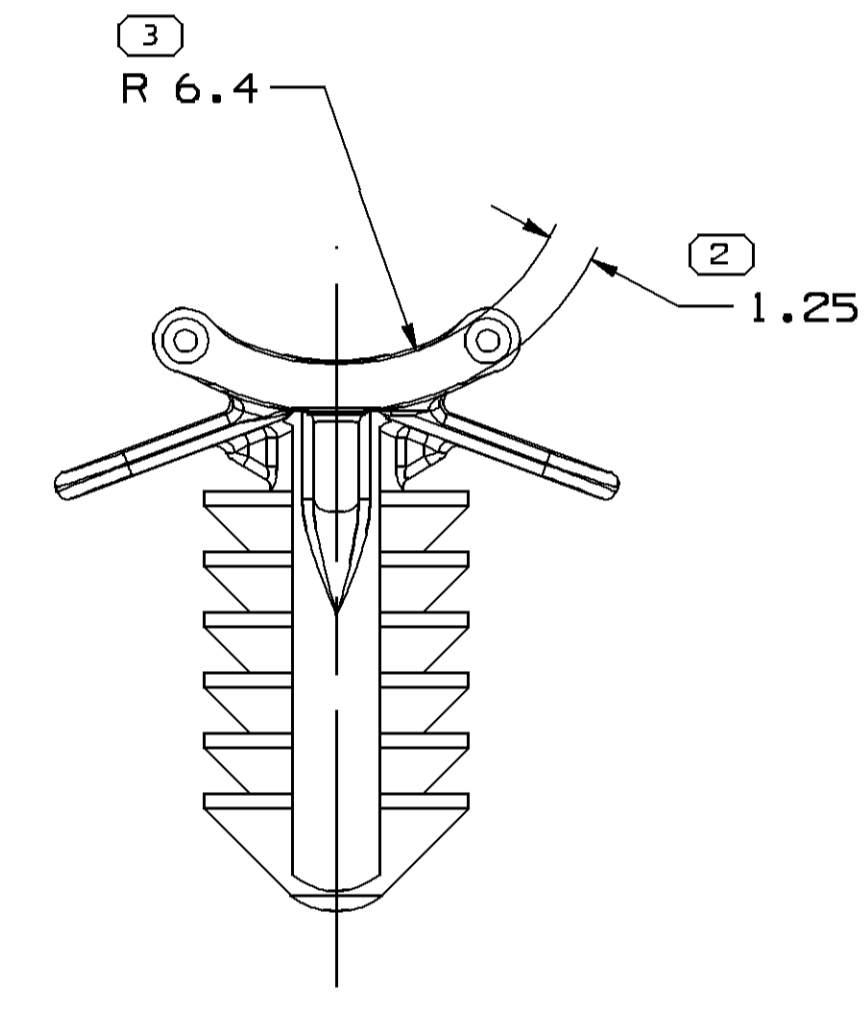
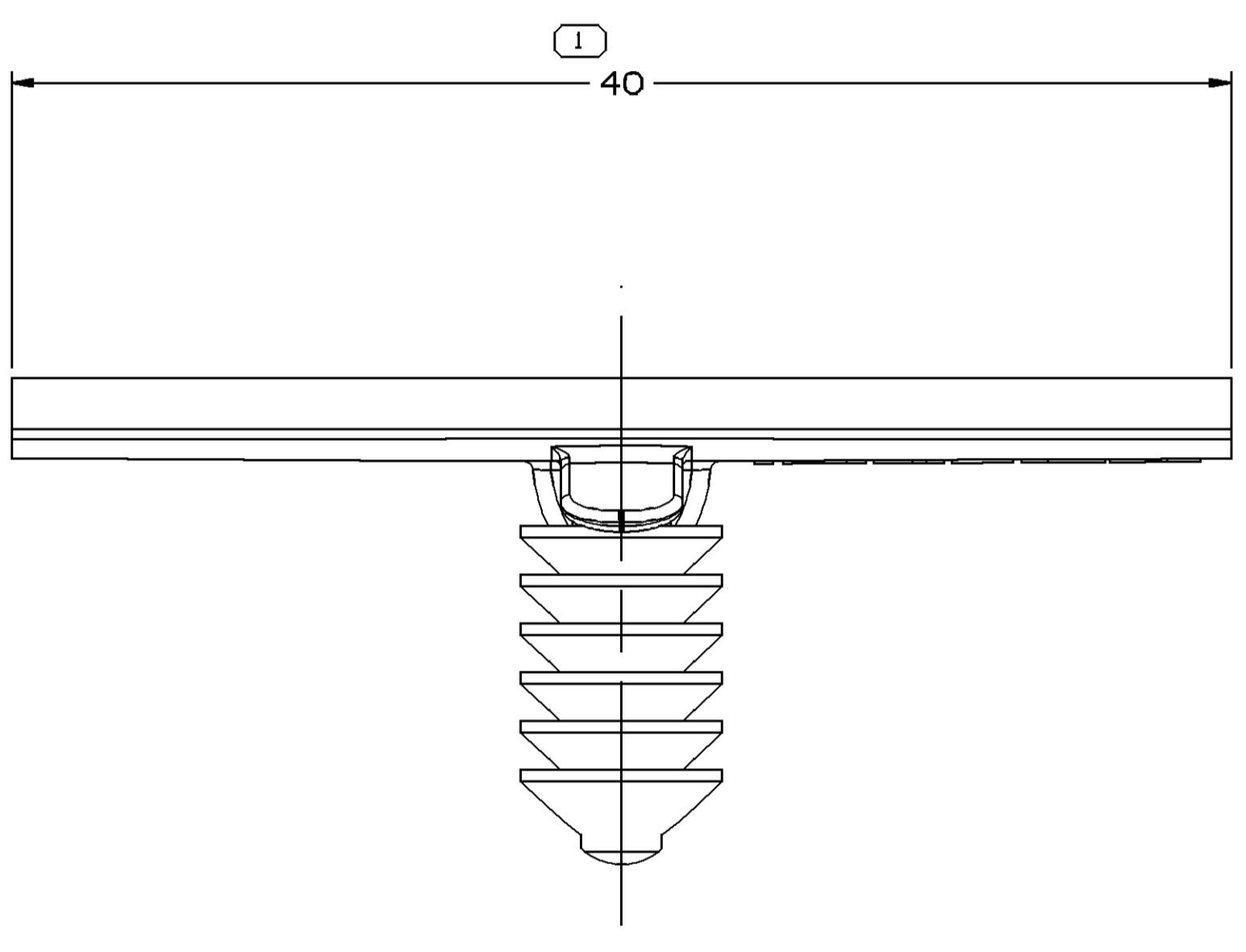
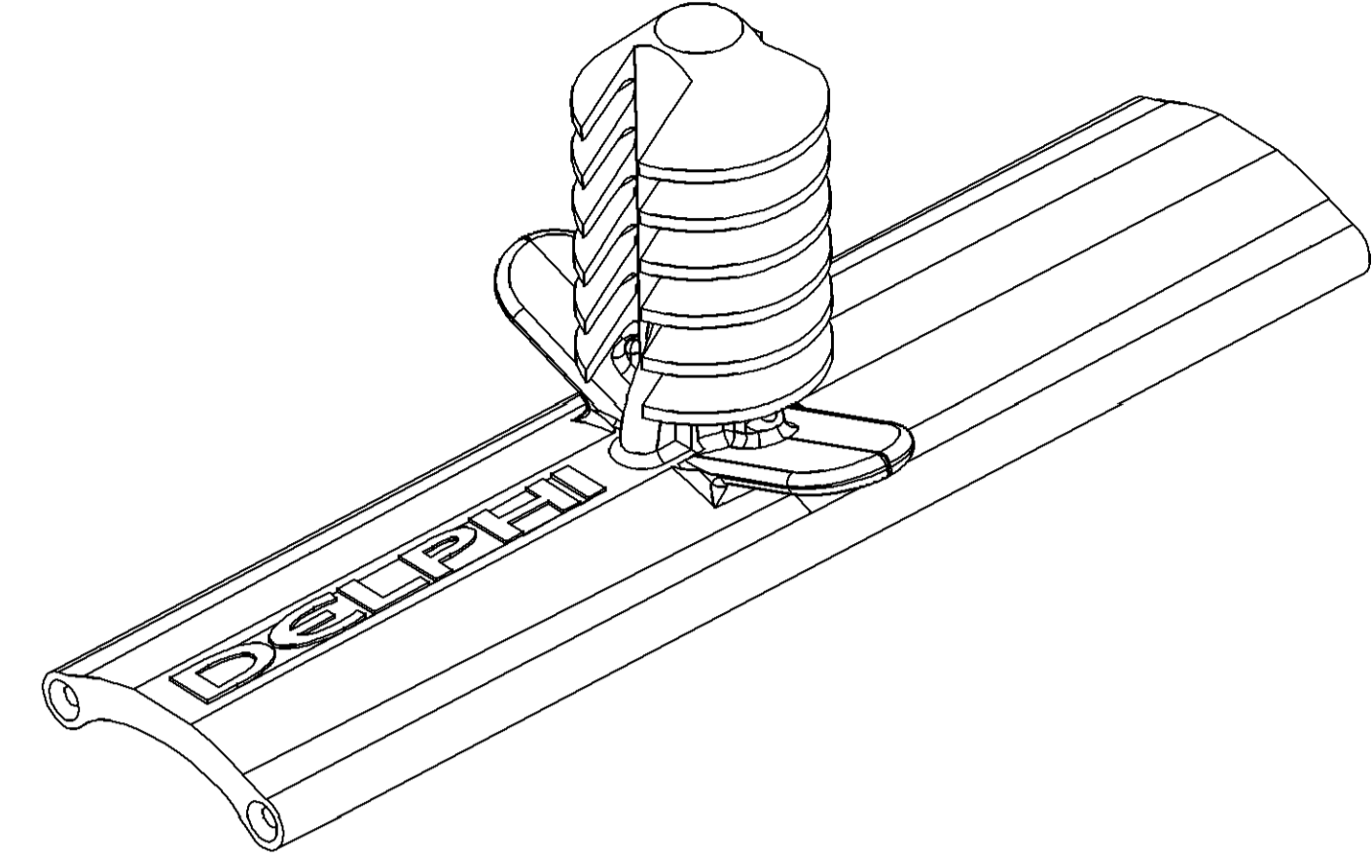
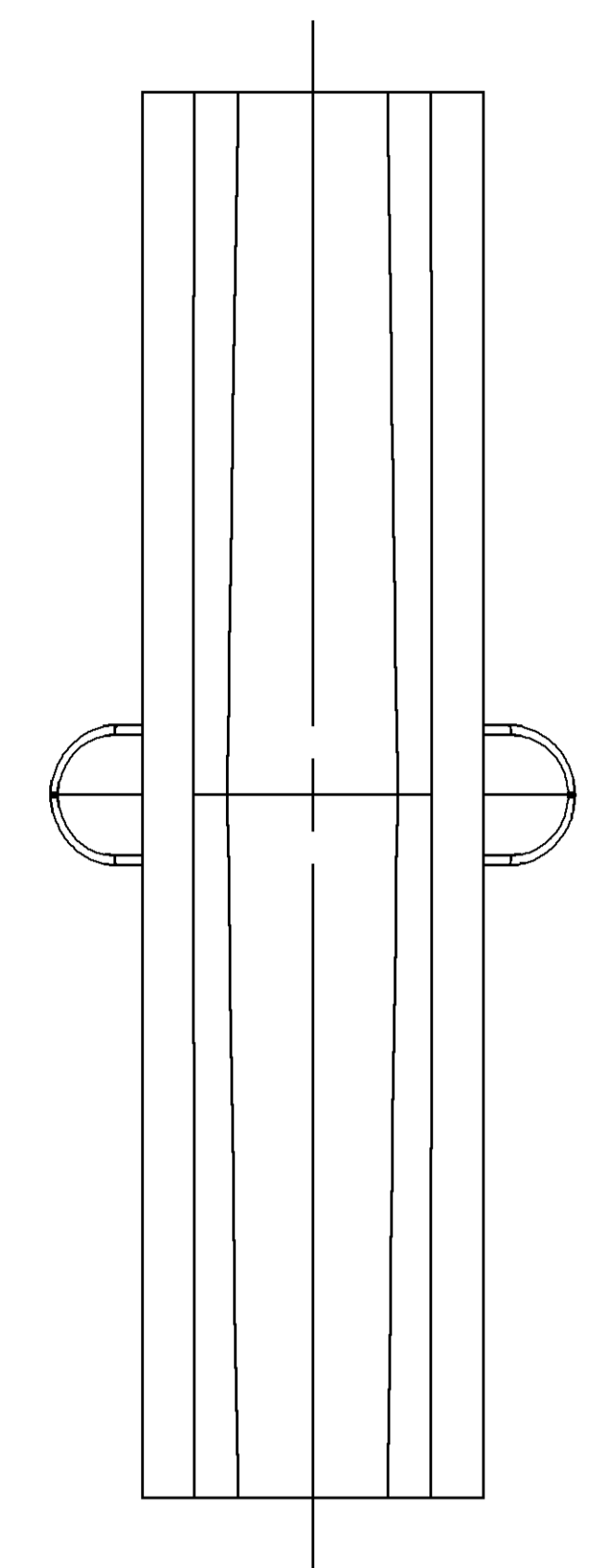


SYMBOL DEFINITION		TOTAL NO OF INSPECTIONS REQUIRED	NO MISSING SYMBOL NUMBER
A DIMENSION WITHOUT AN INSPECTION REPORT SYMBOL DOES NOT REQUIRE INSPECTION. IT MAY BE CONTROLLED ON THE INDIVIDUAL COMPONENT DRAWING.		11	
LAST NO. USED		9	

DWG STATUS				REVISION HISTORY				AUTH	DR	AP/VD	AP/VD
DATE	STG	REV	N/P	CHG	ZONE						
23JN06	R	01	-	-	-	WAS PE155801 AND RELEASED	281851	JTZ	JVM	WLM	M
05OC06	R	02	-	-	-	R6.4 WAS 5.1 #3, REF 9.7 WAS REF 11.38 #6; 15.94 WAS 17.4 #9;	285315	TMP	TMP	WLM	M
19DE06	R	02	AA	-	-	DIM #7 (14.93) WAS 14.93; DIM #8 2X (13.3) WAS 2X 13.3; DIM #9 15.94 +/-0.3 WAS 15.94	288062	TMP	TMP	WLM	M



- NOTES
- UNLESS OTHERWISE SPECIFIED AND/OR INDICATED:
DIMENSIONS ARE TO FACE OF VIEW SHOWN AND AUTOMATICALLY ROUNDED BY COMPUTER FOR INSPECTION (SEE MATH MODEL FOR PRECISE DIMENSIONS). FOR ALL OTHER DIMENSIONS NOT SHOWN BUT REQUIRED FOR TOOL BUILD, SEE MATH MODEL FOR PRECISE TOOL PATH DATA.
 - THIS PART IS NOT CONTROLLED FOR AUTOMATIC FEEDING.
 - RECOMMENDED HOLE SIZE Ø 6.35 IN 5 MAX THICK STOCK.

DWG TYPE PART DRAWING		DISTR CODE D	
VOLUME ID# 0.776		UNLESS OTHERWISE SPECIFIED THIS DOCUMENT IS IN ACCORDANCE WITH ASME Y14.5M-1994 AS MODIFIED BY THE IN SUPPLY DISCREPANCY AND TOLERANCE ADDENDUM-001. SEPARATE WRITINGS OF FEATURES MAY BE BASED SEPARATELY PER HOLDERS OF DRAWING REFERENCES.	
ALL DIMENSIONS ARE IN MILLIMETERS		THIRD ANGLE PROJECTION	
DO NOT SCALE		USE MATH DATA	
DIMENSIONAL RANGE (MM)		SHORT ET	
FROM	> 0	> 30	> 70
TO	20	30	70
	100	150	200
	250	300	400
TOLERANCE UNLESS OTHERWISE SPECIFIED		ANGULAR TOLERANCE 2°	
±0.15	±0.2	±0.3	±0.4
±0.5	±0.6	±0.8	±1.0
±1.2			

DELPHI	
DELPHI PACKARD ELECTRIC SYSTEMS WARREN, OH	
DR	DATE
APV01 PABLO TRONCOSO	23JN06
APV02 J. VILLAMIL	28JN06
APV03 WILLIAM L. MEASE	30JN06
APV04	
APV05	
SUBSTANCES OF CONCERN AND RECYCLED CONTENT PER DELPHI 10949001	
MATERIAL M359201B PA66 HS 1M GRA DK	
DRAWING NAME MOUN CLIP TAPE ON NAIL	
DRAWING NUMBER 13585477	
SIZE A0	SCALE 5:1
FRAME NO 1 OF 1	SHEET NO 1 OF 1
STG R	REV 02
N/P AA	

Date: 02-16-07 Time: 08:20