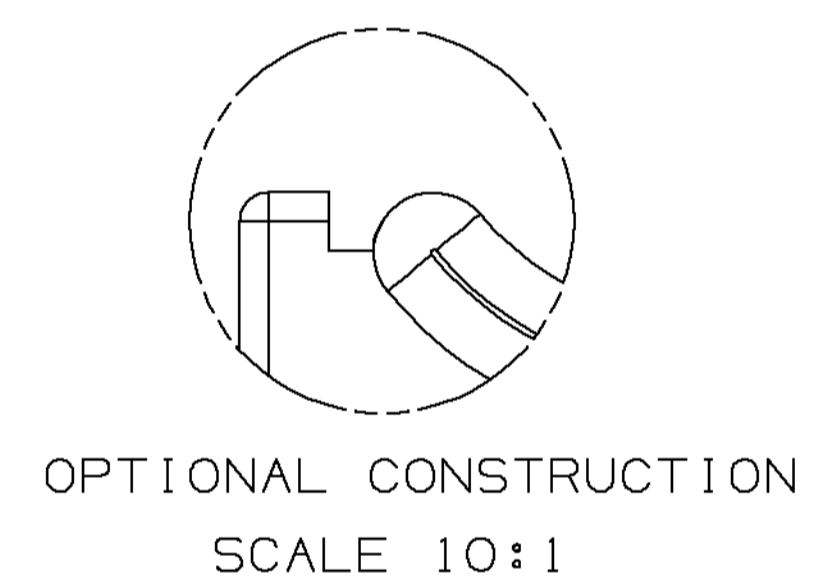
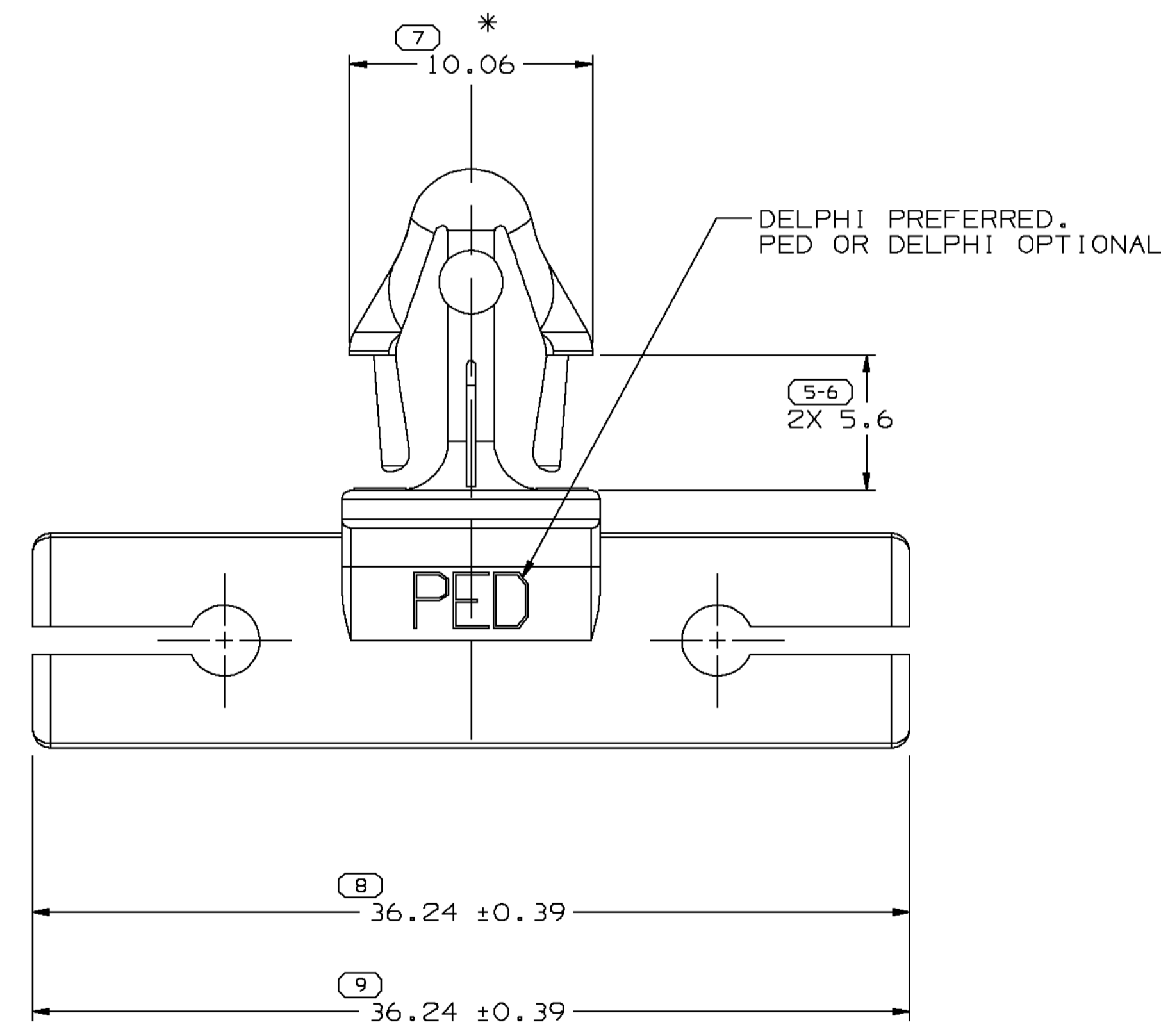
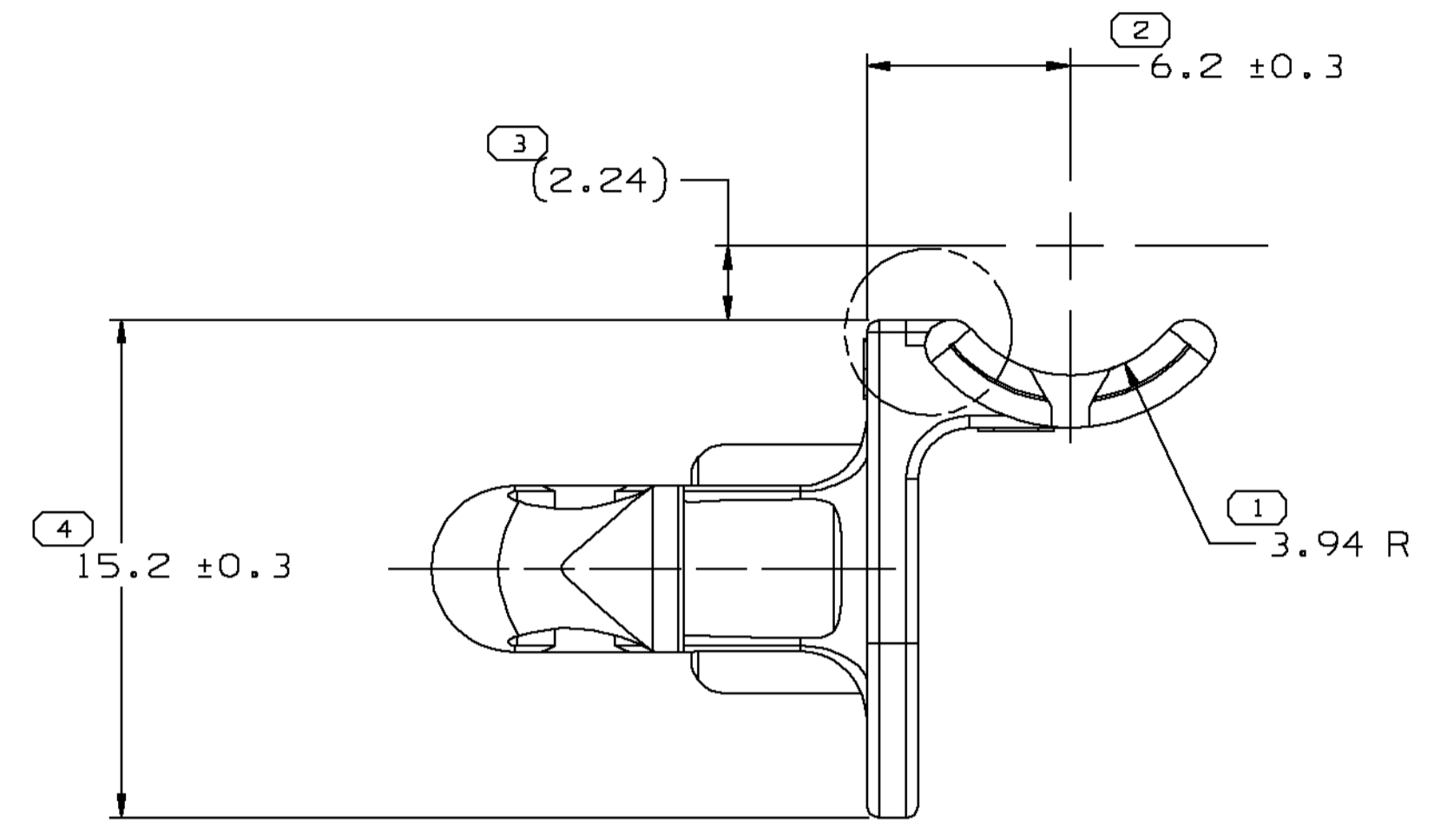
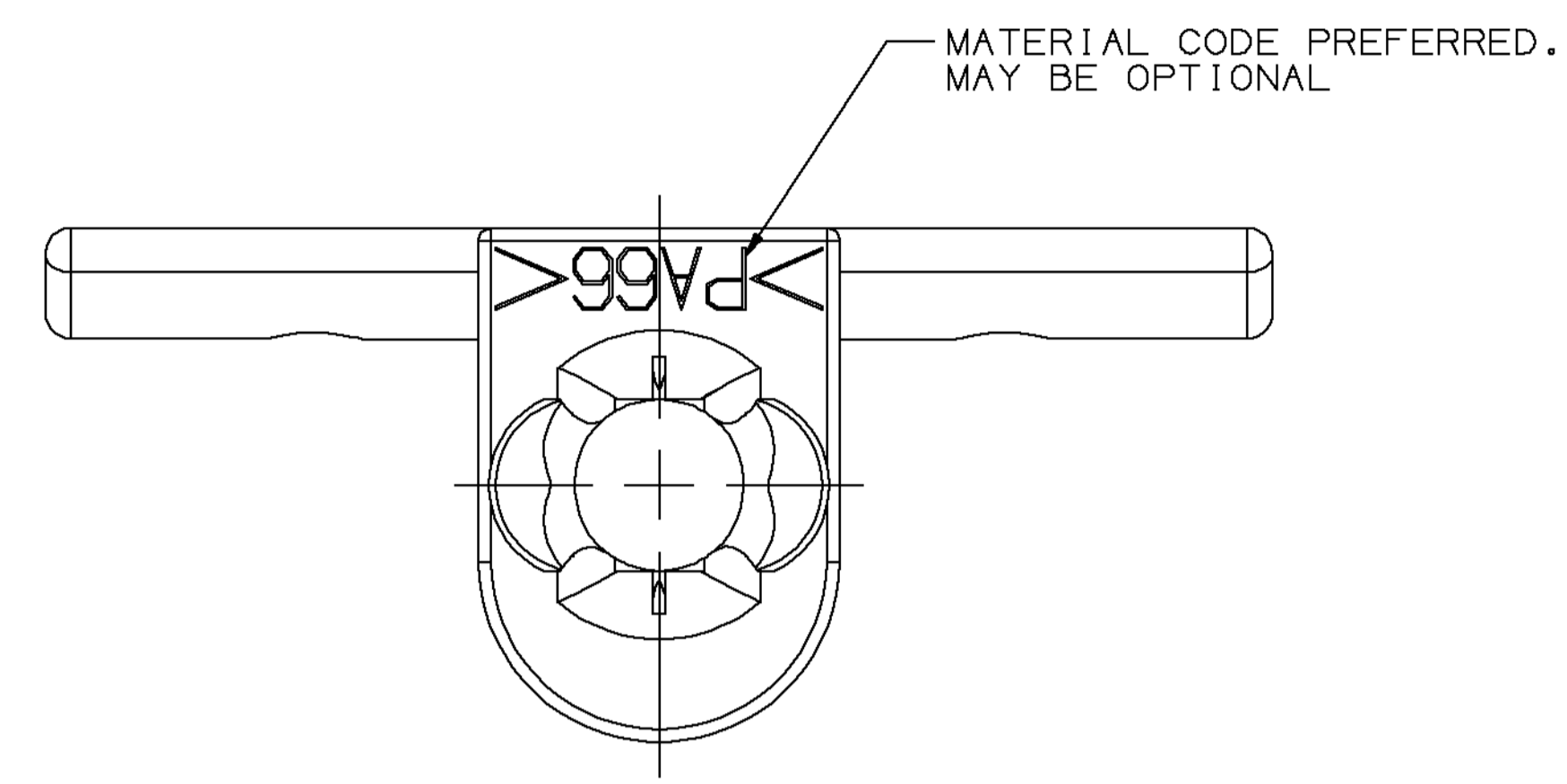


SYMBOL DEFINITION		MISSING NUMBERS	
A DIMENSION WITHOUT AN INSPECTION REPORT SYMBOL DOES NOT REQUIRE INSPECTION. IT MAY BE CONTROLLED ON AN INDIVIDUAL COMPONENT DRAWING	TOTAL NO. OF SYMBOLS ON DRAWING	8	
	LAST NO. USED	9	

DWG STATUS				ZONE	REVISION HISTORY			AUTH	DR	CK	APVD
DATE	STG	REV	CHG	N/P							
14FE01	R	A5	-	-			CLEARED REV COL., REDRAWN	205725	JMR	JMR	ET
19JN01	R	A6	-	-			UPDATED PDM ATTRIBUTES	211096	HAM	HAM	ET
27JN01	R	A7	-	-			ADDED NOTE #5 AND LABELS TO RECYCLING CODE AND DELPHI LOGO	211386	RH	RH	ET



- NOTES
- UNLESS OTHERWISE SPECIFIED AND/OR INDICATED: DIMENSIONS ARE TO FACE OF VIEW SHOWN AND AUTOMATICALLY ROUNDED BY COMPUTER FOR INSPECTION (SEE MATH MODEL FOR PRECISE DIMENSIONS). FOR ALL OTHER DIMENSIONS NOT SHOWN BUT REQUIRED FOR TOOL BUILD, SEE MATH MODEL FOR PRECISE TOOL PATH DATA.
 - RECOMMENDED HOLE SIZE FOR ROSE-BUD 6.60-6.10 DIA HOLE IN 3.81 MAX THICK STOCK.
 - THIS PART IS NOT CONTROLLED FOR AUTOMATIC FEEDING.
 - DIMENSIONS MARKED WITH * MAY VARY -0.40 DUE TO BOW.
 - MATERIAL RECYCLE CODE AND DELPHI PREFERRED ON ALL NEW TOOL BUILDS AFTER 9/27/94.

DELPHI Automotive Systems			
MATERIAL SPEC R0071754 1M-HS NYLON 6,6 - BLACK			
SUBSTANCES OF CONCERN AND RECYCLED CONTENT PER DELPHI-A 10949001			
PART DRAWING			DISTR CODE D
CODE NUMBER 6900,6901	DWG DATE 310CB4	SCALE 5:1	
QC SPEC	STYLE	VOLUME cm ³ 1.010	
PART GEOMETRY 3D SOLID	UNLESS OTHERWISE SPECIFIED: THIS DOCUMENT IS IN ACCORDANCE WITH ASME Y14.5M - 1994 AS AMENDED BY THE GM GLOBAL DIMENSIONING AND TOLERANCING ADDENDUM - 1997. ALL GEOMETRIC TOLERANCES AND RELATED DATUMS APPLY RFS. RULE #1 (PERFECT FORM AT MMC) DOES NOT APPLY WHEN RELATIONSHIP BETWEEN FEATURES IS ESTABLISHED BY ORIENTATION OR LOCATION TOLERANCES. SEPARATE POSITION CALLOUTS MAY BE GAGED SEPARATELY REGARDLESS OF DATUM REFERENCES.		
CHANGE RESTRICTED NO MANUAL CHANGES	REFERENCE	DR	DATE
COPY OF MATH DATA DO NOT SCALE		APVD1 R.L. PETERSON	310CB4
		APVD2 F. HES0TN	07N0B4
		APVD3 E.M. BUNGO	16N0B4
		APVD4	
		APVD5	
METRIC UNLESS OTHERWISE SPECIFIED, ALL DIMENSIONS ARE IN MILLIMETERS	DRAWING NAME CLIP - HARN		
THIRD ANGLE PROJECTION			
SHEET NUMBER 1 OF 1	DRAWING NUMBER 12052475	DWG STATUS STG REV N/P R A7 -	SIZE A1

R 0.2 MAX		R 0.1 MAX								
		DIMENSIONAL RANGE (MM)								
		FROM TO	CHART ET							
		0 20	> 20 30	> 30 70	> 70 100	> 100 150	> 150 200	> 200 250	> 250 300	> 300 400
TOLERANCE UNLESS OTHERWISE SPECIFIED										
±0.15 ±0.2 ±0.3 ±0.4 ±0.5 ±0.6 ±0.8 ±1 ±1.2										
ANGULAR TOLERANCE ± 2°										

A B C D E F G H

A B C D E F G H

12 11 10 9 8 7 6 5 4 3 2 1