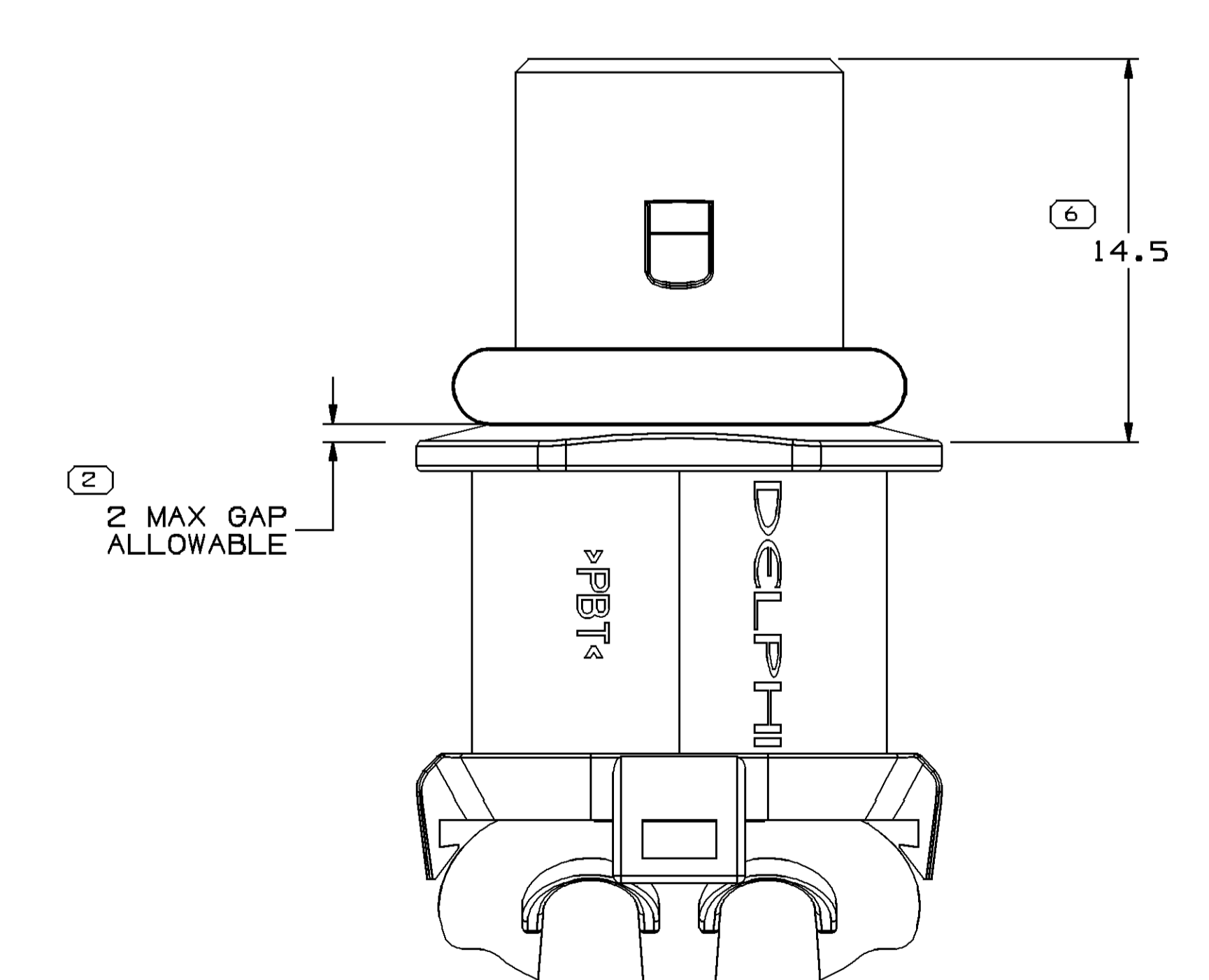
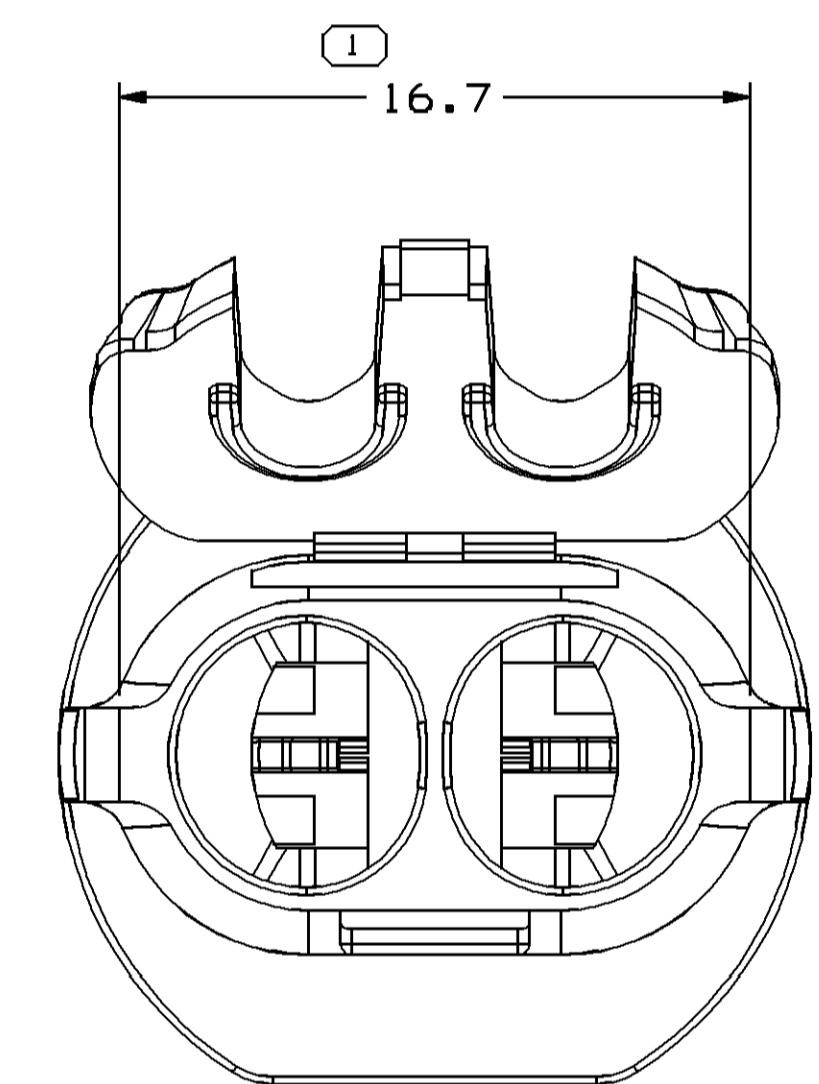
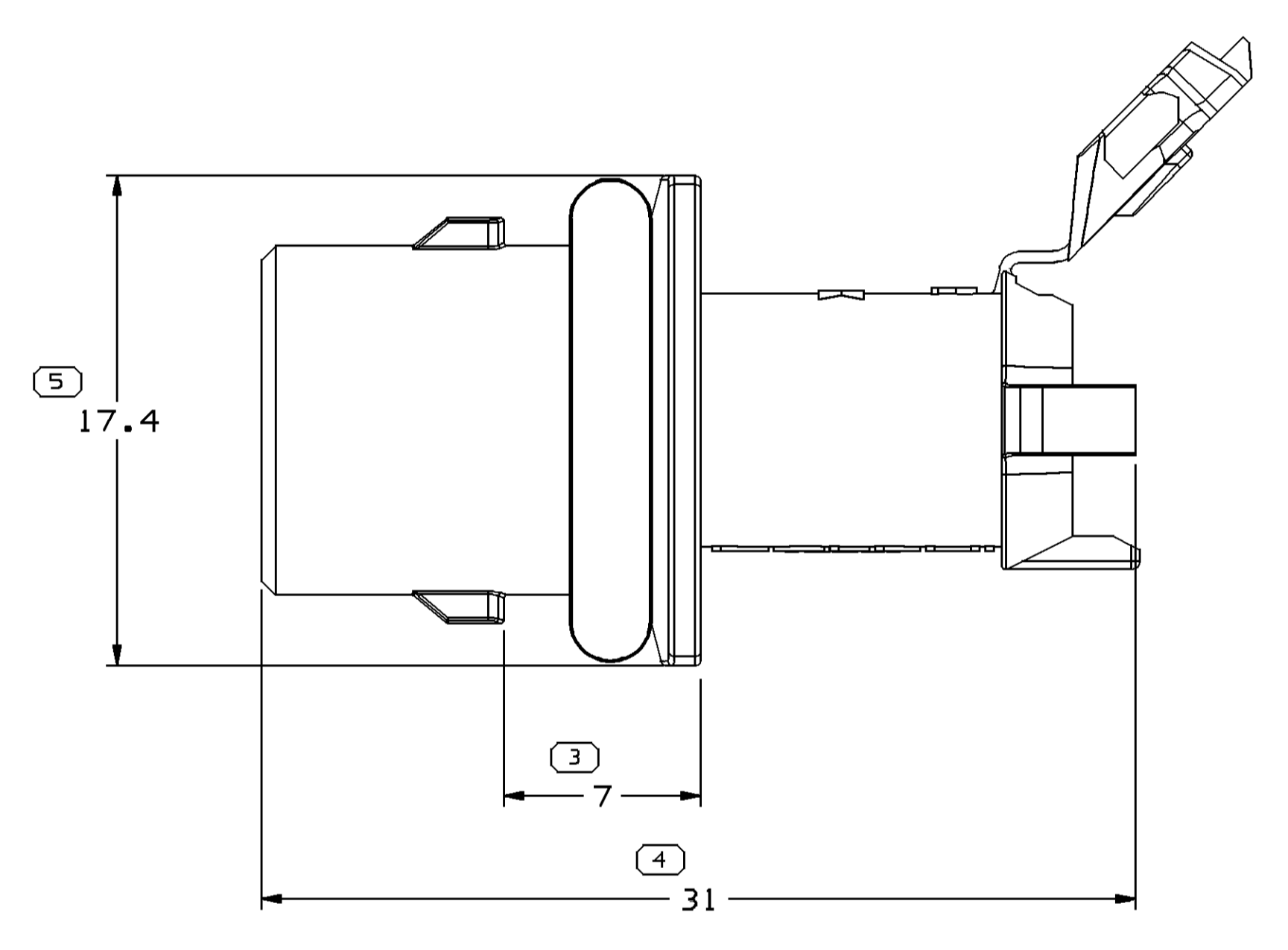
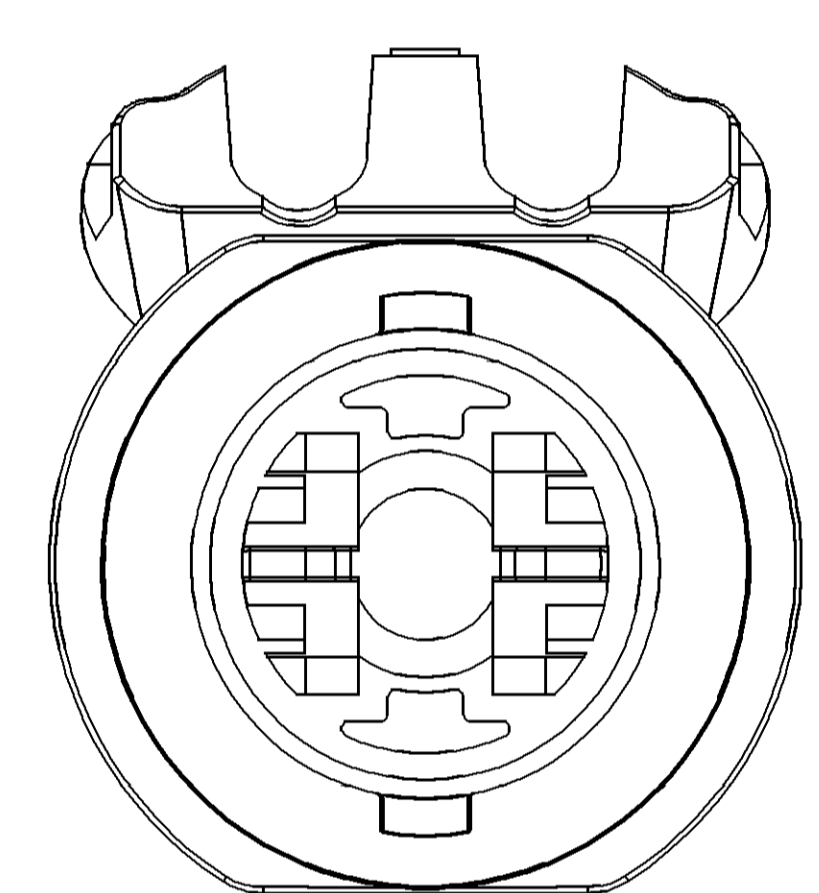
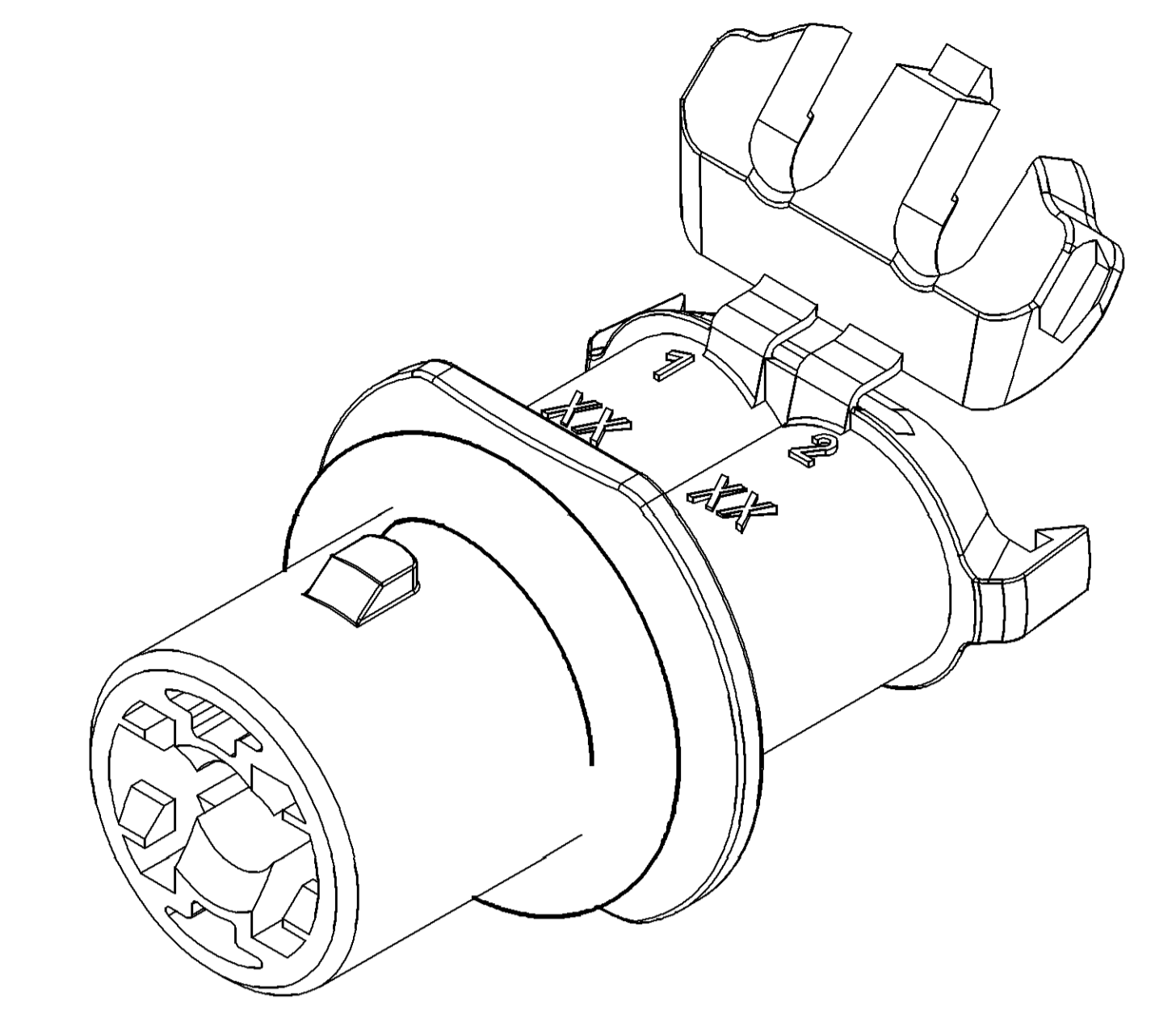
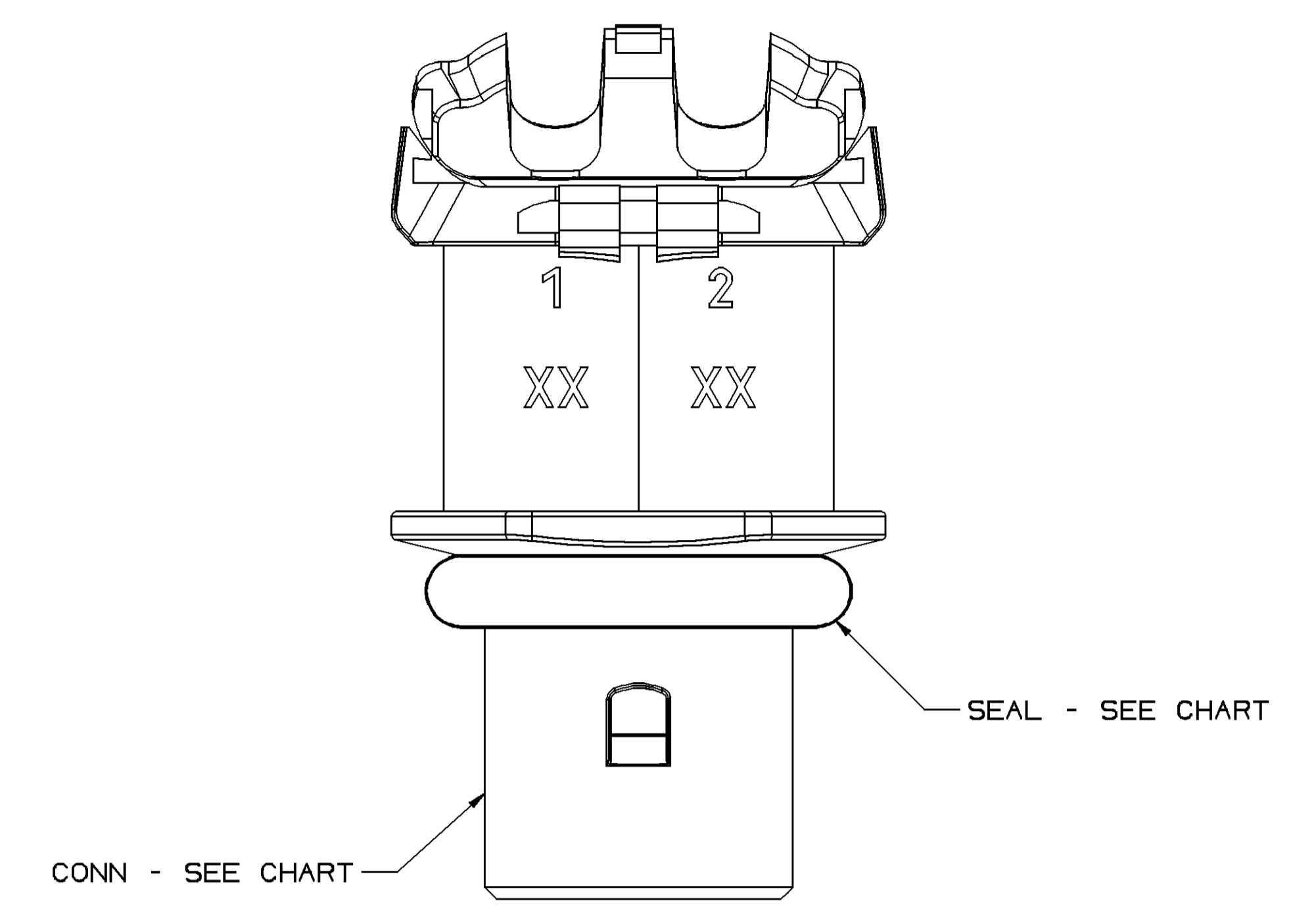


SYMBOL DEFINITION		MISSING SYMBOLS		DATE		STG		REV		N/P		CHG		ZONE		REVISION HISTORY		AUTH		DR		AP/VD	
A DIMENSION WITHOUT AN INSPECTION REPORT SYMBOL DOES NOT REQUIRE INSPECTION. IT MAY BE CONTROLLED ON THE INDIVIDUAL COMPONENT DRAWING.		TOTAL NO OF INSPECTIONS REQUIRED		24MR08		R		01		-		-		RELEASED		404190		80S		AAV		AAV	
		LAST NO. USED																					
		6																					
		6																					



- NOTES
- UNLESS OTHERWISE SPECIFIED AND/OR INDICATED: DIMENSIONS ARE TO FACE OF VIEW SHOWN AND AUTOMATICALLY ROUNDED BY COMPUTER FOR INSPECTION (SEE MATH MODEL FOR PRECISE DIMENSIONS). FOR ALL OTHER DIMENSIONS NOT SHOWN BUT REQUIRED FOR TOOL BUILD, SEE MATH MODEL FOR PRECISE TOOL PATH DATA.
 - THIS PRODUCT IS NOT CATEGORIZED AS AN APPEARANCE ITEM, MINOR IMPERFECTIONS INCLUDING, BUT NOT LIMITED TO, FLOW MARKS, COLOR BLEMISHES, GATE VESTIGES, AND SOFT FLASH THAT DO NOT AFFECT THE FIT, FORM, OR FUNCTION OF THE PART ARE PERMISSIBLE PER NAP 4.10-18.
 - THIS PART IS NOT CONTROLLED FOR AUTOMATIC FEEDING.
 - FOR APPLICATION DATA SEE THE APPLICATION DRAWING.

PART TYPE		PART DRAWING	
STYLE		D	
VOLUME (QTY)		DISTR CODE	
UNLESS OTHERWISE SPECIFIED		THIS DOCUMENT IS IN ACCORDANCE WITH ASME Y14.5M-1994 AS AMENDED BY THE 2003 SUPPLEMENT. DIMENSIONS AND TOLERANCES ARE IN MILLIMETERS UNLESS OTHERWISE SPECIFIED. SEPARATE WRITINGS OF FEATURES MAY BE BASED SEPARATELY PER-ROLE OF DIMENSION REFERENCES.	
ALL DIMENSIONS ARE IN MILLIMETERS		REFERENCE	
DIMENSIONS ENCLOSED IN () INDICATE PROCESS SENSITIVE DIMENSION		15345129	
DIMENSIONS ENCLOSED IN [] INDICATE REFERENCE DIMENSIONS AND NO TOLERANCE LIMITS ARE ESTABLISHED		THIRD ANGLE PROJECTION	
DO NOT SCALE		USE MATH DATA	
DIMENSIONAL RANGE (MM)		SHORT ET	
FROM	> 0	> 30	> 100
TO	20	70	100
TOLERANCE UNLESS OTHERWISE SPECIFIED		TOLERANCE UNLESS OTHERWISE SPECIFIED	
±0.15 ±0.2 ±0.3 ±0.4 ±0.5 ±0.6 ±0.8 ±1 ±1.2		±0.1 ±0.2 ±0.3 ±0.4 ±0.5 ±0.6 ±0.8 ±1 ±1.2	
ANGULAR TOLERANCE 30°		ANGULAR TOLERANCE 30°	

DELPHI
DELPHI PACKARD ELECTRICAL/ELECTRONIC ARCHITECTURE
NAPER, OH

DR	DATE
APV01 G. QUINTANILLA	24MR08
APV02 ABEL SUAREZ	24MR08
APV03 ABEL SUAREZ	24MR08
APV04	
APV05	
SUBSTANCES OF CONCERN AND RECYCLED CONTENT PER DELPHI 10949001	
DRAWING NAME	
ASM CONN 2 F LP SOC WEDGE SLD	
DRAWING NUMBER	
13698133	
SIZE	SCALE
A0	5:1
FRM NO	SHEET NO
1	1 OF 1
STG	REV
R	01

13698133	13698132	15344774
PART NO	CONN	SEAL

Date: 05-Aug-08 Time: 16:42