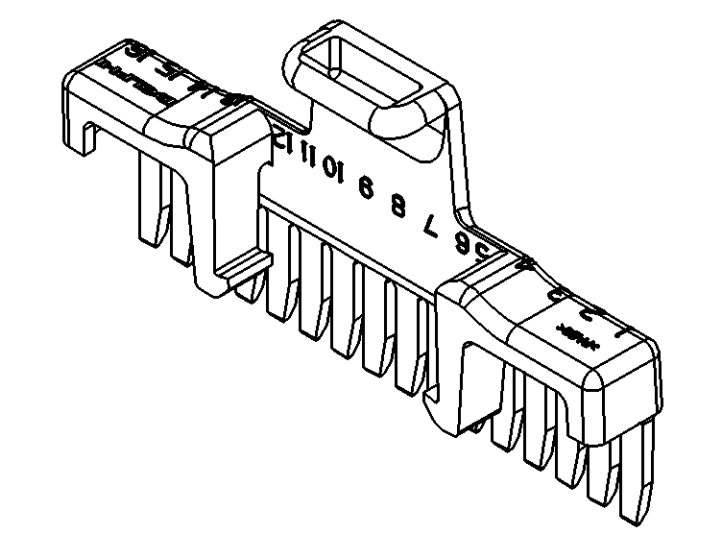
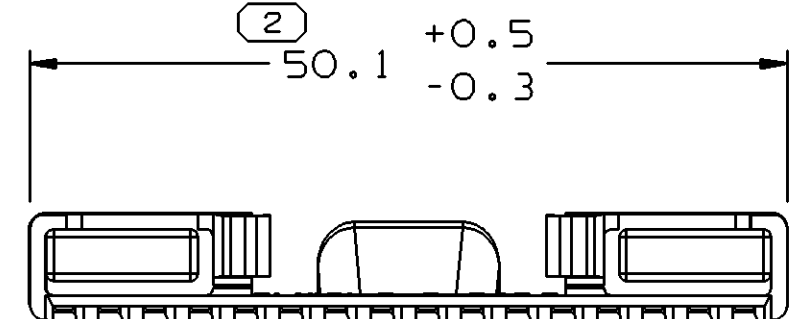
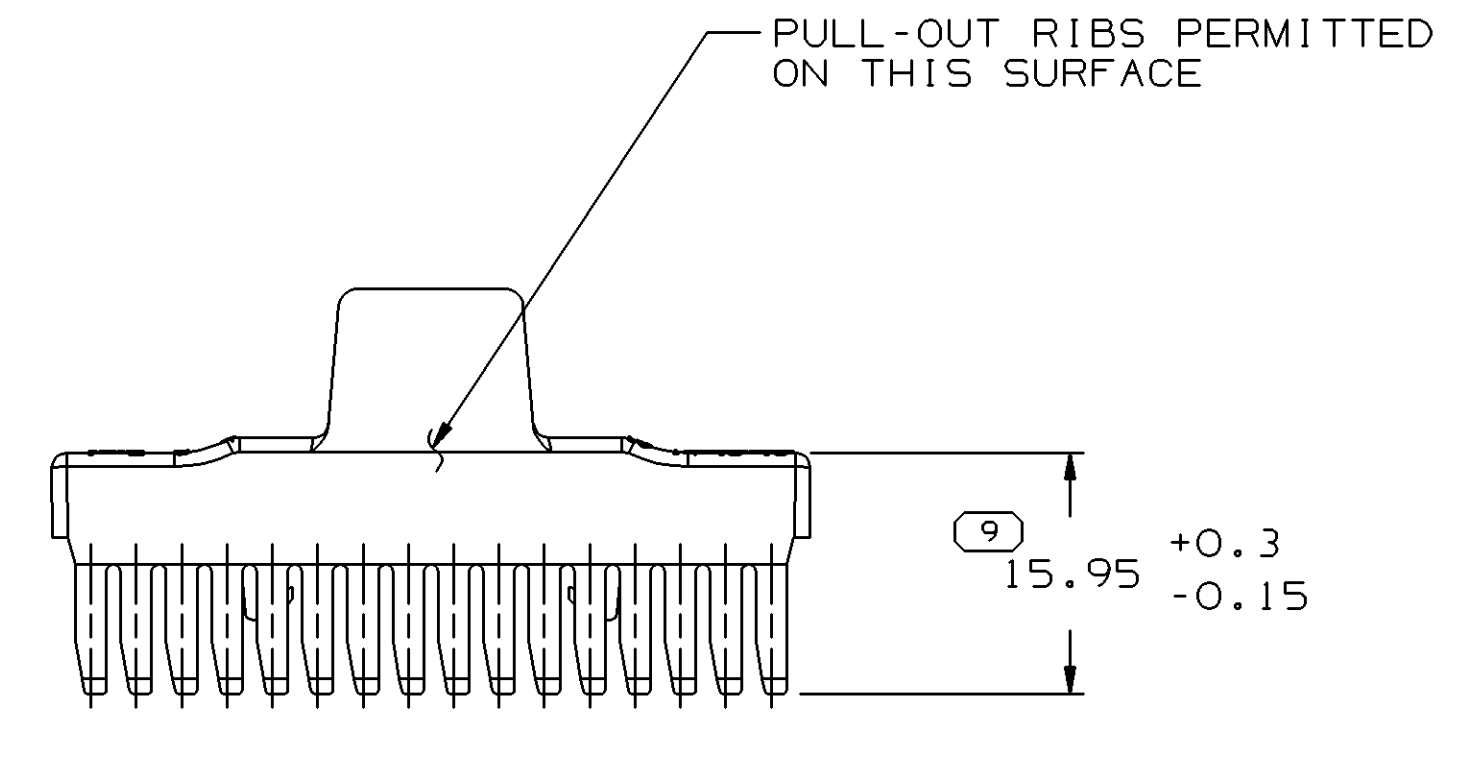
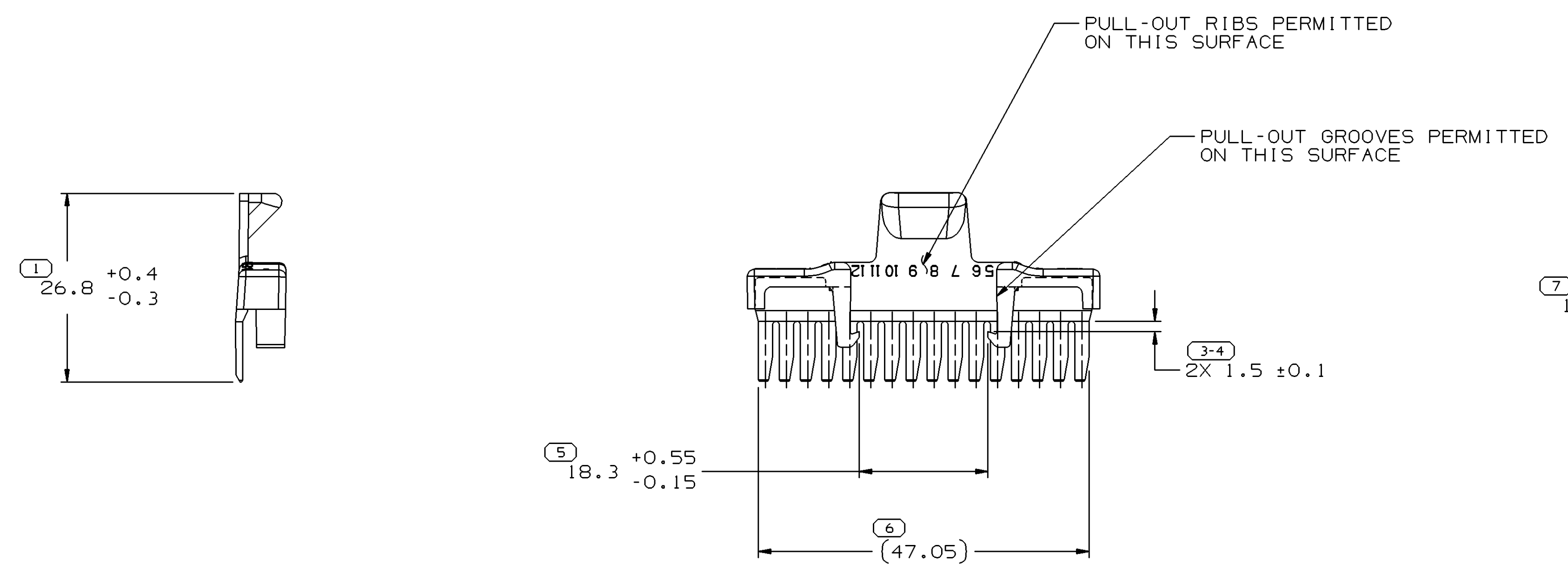
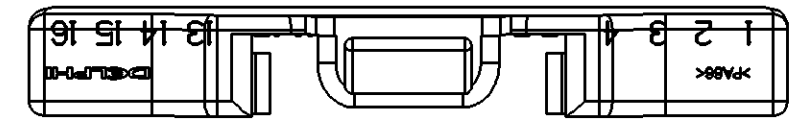
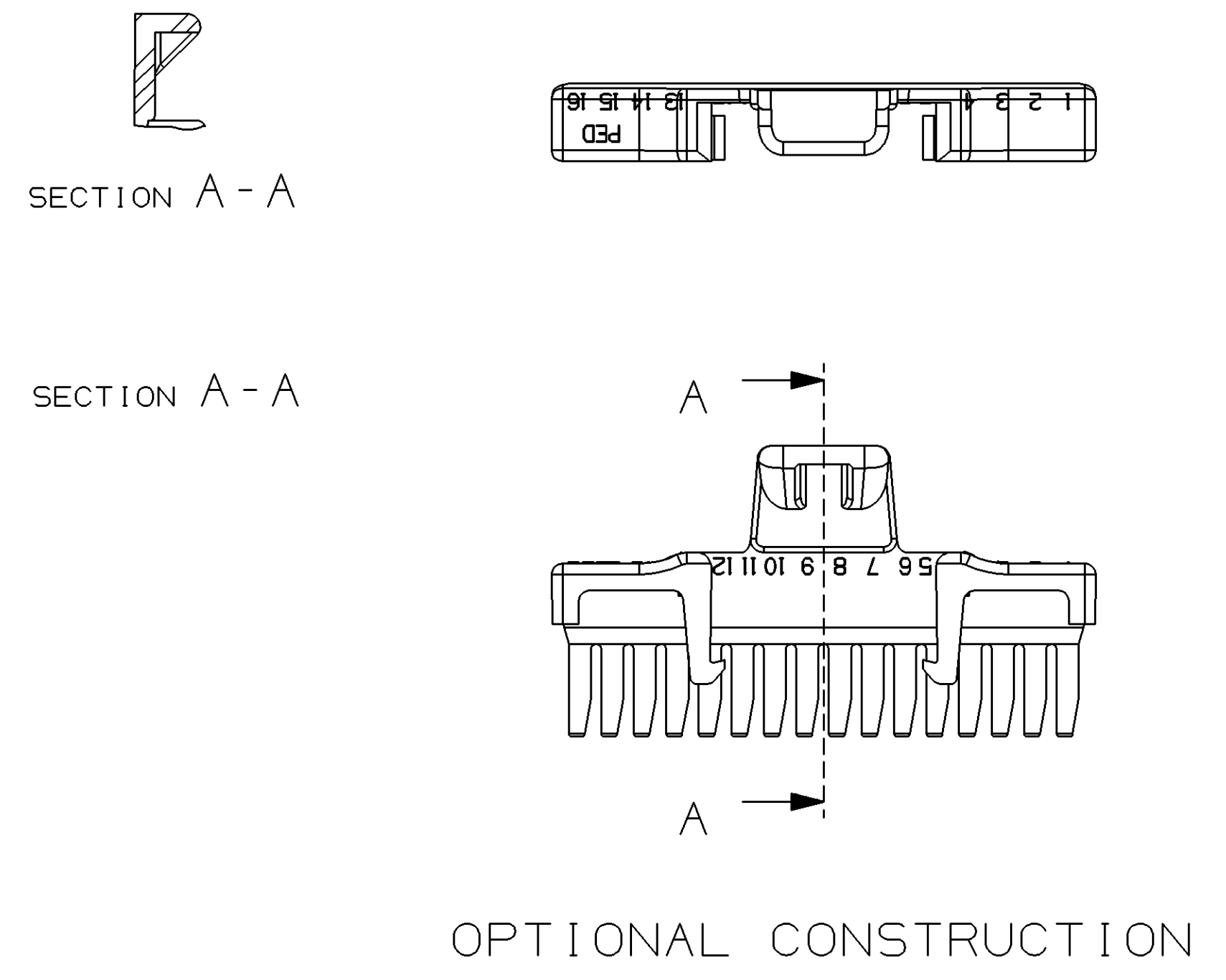


SYMBOL DEFINITION		MISSING NUMBERS		DWO STATUS				REVISION HISTORY				AUTH		DR		APVD			
THE NUMBER INSIDE THE SYMBOL CORRESPONDS TO THE NUMBER ON THE INSPECTION REPORT FOR THIS DRAWING/PART NUMBER	TOTAL NO. OF SYMBOLS ON DRAWING	LAST NO. USED		DATE	STG	REV	W/P	CHO	ZONE										
	8	9		260C99	R	005	-	-								197644	MAC	MAC	RJ
				01FE00	R	005	AA	-								198915	FMO	JVM	RJ
				01FE00	R	005	AB	-								198924	FMO	JVM	RJ
				24SE04	R	05	AC	-								259005	RCH	RCH	DB



VIEW SCALE DOES NOT REFLECT ACTUAL PART SIZE



- NOTES:
- UNLESS OTHERWISE SPECIFIED AND/OR INDICATED: DIMENSIONS ARE TO FACE OF VIEW SHOWN AND AUTOMATICALLY ROUNDED BY COMPUTER FOR INSPECTION. (SEE MATH MODEL FOR PRECISE DIMENSION) FOR ALL OTHER DIMENSIONS NOT SHOWN BUT REQUIRED FOR TOOL BUILD, SEE MATH MODEL FOR PRECISE TOOL PATH DATA.
 - MATING COMPONENTS: CONNECTOR 12041476 OR EQUIVALENT.
 - THIS TPA HAS A POSSIBLE RATTLE CONDITION. SPOT TAPE MAY BE ADDED TO TPA AND ADJACENT CABLES TO PREVENT RATTLE IN CUSTOMER SENSITIVE AREAS OF THE VEHICLE.
 - MATERIAL RECYCLING CODE PER ISO 11469. (0.7)X(0.1) CHARACTERS AS SHOWN TO BE LOCATED ON ANY EXTERIOR SURFACE.
 - (0.7)X(0.1) DELPHI CORPORATE BRAND TO BE LOCATED ON ANY EXTERIOR SURFACE, PREFERABLY VISIBLE AT FINAL ASSEMBLY. OPTIONAL CONSTRUCTION TO BE "PED".

DIMENSIONAL RANGE (MM)	CHART ET
FROM > 0	> 20
TO > 20	> 30
> 30	> 70
> 70	> 100
> 100	> 150
> 150	> 200
> 200	> 250
> 250	> 300
> 300	> 400

UNLESS OTHERWISE SPECIFIED: DIMENSIONS ENCLOSED IN () INDICATE REFERENCE DIMENSIONS AND NO TOLERANCE LIMITS ARE ESTABLISHED.

PROCESS SENSITIVE DIMENSION

THIRD ANGLE PROJECTION

DO NOT SCALE

USE MATH DATA

DWO TYPE		PART DRAWING	
STYLE		DISTR CODE	D
VOLUME (CM ³)	1.654		
UNLESS OTHERWISE SPECIFIED			
THIS DOCUMENT IS IN ACCORDANCE WITH ASME Y14.5M-1994 AS AMENDED BY THE DIMENSIONING AND TOLERANCING ADDENDUM-2003. SEPARATE PATTERNING OF FEATURES MAY BE GIVEN SEPARATELY REGARDLESS OF DATUM REFERENCES.			
ALL DIMENSIONS ARE IN MILLIMETERS			
REFERENCE			

DELPHI

DELPHI PACKARD ELECTRIC SYSTEMS
WARREN, OH

DR	DATE
APVD1 S. MORAN	03JA94
APVD2 RICHARD RACZ	15MR94
APVD3 A.R. HERMANN	18MR94
APVD4	
APVD5	

SUBSTANCES OF CONCERN AND RECYCLED CONTENT PER DELPHI 10949001

MATERIAL: R0071784 PA66 HS 1M-GRA MD

DRAWING NAME: LOCK TPA MIC/P 100 GRA

DRAWING NUMBER: 12045890

SIZE: AO SCALE: 2:1 FRAME NO: 1 OF 1 SHEET NO: 1 OF 1 REV: R 05 AC