
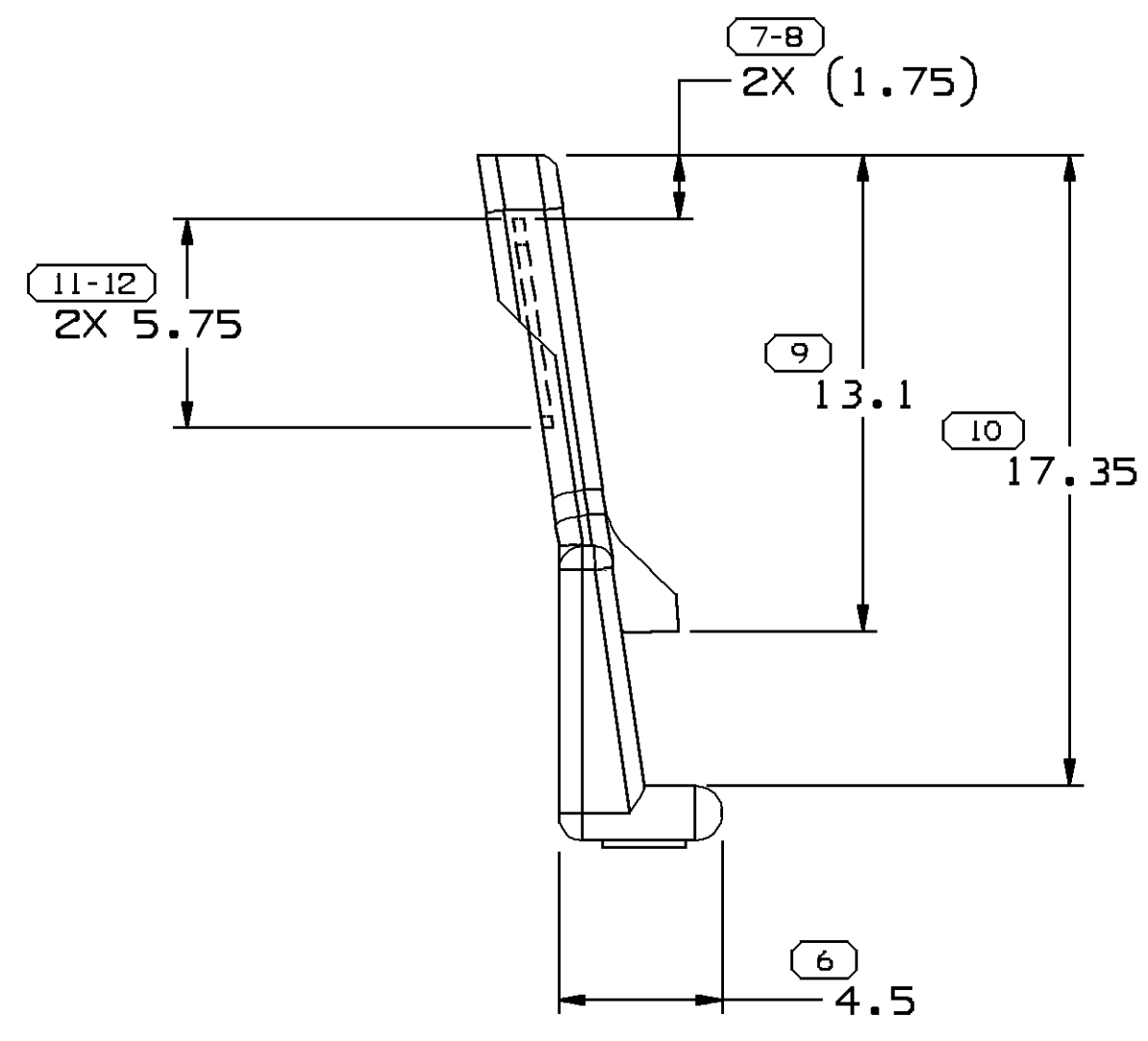
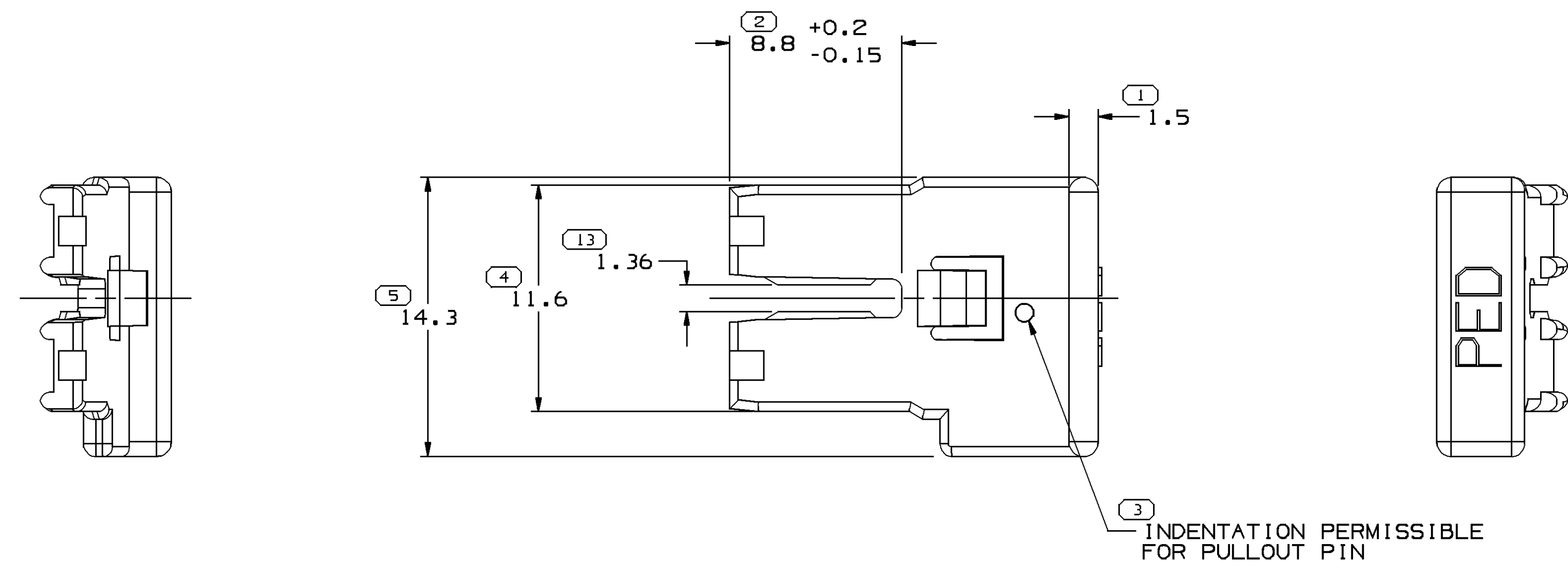
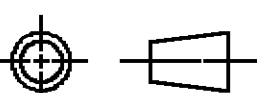



SYMBOL DEFINITION		MISSING NUMBERS	DWG STATUS				ZONE	REVISION HISTORY		AUTH	DR	APVD1	APVD2
DATE	STG		REV	N/P	CHG	DATE		REV					
A DIMENSION WITHOUT AN INSPECTION REPORT SYMBOL  DOES NOT REQUIRE INSPECTION. IT MAY BE CONTROLLED ON AN INDIVIDUAL COMPONENT DRAWING.	TOTAL NO. OF SYMBOLS ON DRAWING	11	08JN00	R	04	-	-	REDRAWN TO PD & ADDED ANTIRATTLE CRUSHABLE RIBS	201399	RGT	GMC	JH	
	LAST NO. USED	13	08JN00	R	04	AA	-	REMOVED 12,56 DIM & REVISED PLCS FROM 4 TO 2	201768	RGT	GMC	JH	
			10FE05	R	04	AB	-	2X (1.75) WAS 2X 1.75; MAT'L SPEC WAS R0071753	264577	DAD	END	BDG	
			23SE05	R	05	-	-	MAT'L SPEC WAS M3592002	272622	CCV	JAA	ET	



- NOTES
- UNLESS OTHERWISE SPECIFIED AND/OR INDICATED:
DIMENSIONS ARE TO FACE OF VIEW SHOWN AND AUTOMATICALLY ROUNDED BY COMPUTER FOR INSPECTION (SEE MATH MODEL FOR PRECISE DIMENSIONS). FOR ALL OTHER DIMENSIONS NOT SHOWN BUT REQUIRED FOR TOOL BUILD, SEE MATH MODEL FOR PRECISE TOOL PATH DATA.
 - THIS PART IS NOT CONTROLLED FOR AUTOMATIC FEEDING.
 - REFERENCE MATING COMPONENTS OR EQUIVALENT:
CONNECTOR 12064750
 - (2.3)X(0.2) DELPHI CORPORATE BRAND TO BE LOCATED ON ANY EXTERIOR SURFACE, PREFERABLY VISIBLE AT FINAL ASSEMBLY. OPTIONAL CONSTRUCTION FOR EXISTING TOOLING MAY BE "PED".
 - MATERIAL RECYCLING CODE PER ISO 11469. (2.3)X(0.2) CHARACTERS AS SHOWN TO BE LOCATED ON ANY EXTERIOR SURFACE.

13 PROCESS SENSITIVE DIMENSION	
DIMENSIONS ENCLOSED IN () INDICATE REFERENCE DIMENSIONS AND NO TOLERANCE LIMITS ARE ESTABLISHED	
DIMENSIONAL RANGE (MM)	CHART E
FROM 0 > 20 > 30 > 70 > 100	
TO 20 30 70 100 > 100	
TOLERANCE UNLESS OTHERWISE SPECIFIED	
±0.15 ±0.2 ±0.3 ±0.4 ±0.5	
ANGULAR TOLERANCE ±2°	

DWG TYPE PART DRAWING	
STYLE	
VOLUME (CM³) 0.414	DISTR CODE D
UNLESS OTHERWISE SPECIFIED THIS DOCUMENT IS IN ACCORDANCE WITH ASME Y14.5M-1994 AS AMENDED BY THE GM GLOBAL DIMENSIONING AND TOLERANCING ADDENDUM-2001. SEPARATE PATTERNS OF FEATURES MAY BE BAGGED SEPARATELY REGARDLESS OF DATUM REFERENCES.	
ALL DIMENSIONS ARE IN MILLIMETERS	
THIRD ANGLE PROJECTION	DO NOT SCALE USE MATH DATA
 	

DELPHI
DELPHI PACKARD ELECTRIC SYSTEMS
WARREN, OH

DR	DATE
APVD1 R. GUTIERREZ	08JN00
APVD2 G. MACIAS	05SE00
APVD3 J. HORIUCHI	08SE00
APVD4	
APVD5	
SUBSTANCES OF CONCERN AND RECYCLED CONTENT PER DELPHI 10949001	
MATERIAL M3592024 PA66 HS 1M CRM	
DRAWING NAME LOCK TPA M/P 480 NAT	
DRAWING NUMBER 12064751	
SIZE A1	SCALE 5:1
FRAME NO 1 OF 1	SHEET NO 1 OF 1
STG R	REV 05
N/P -	