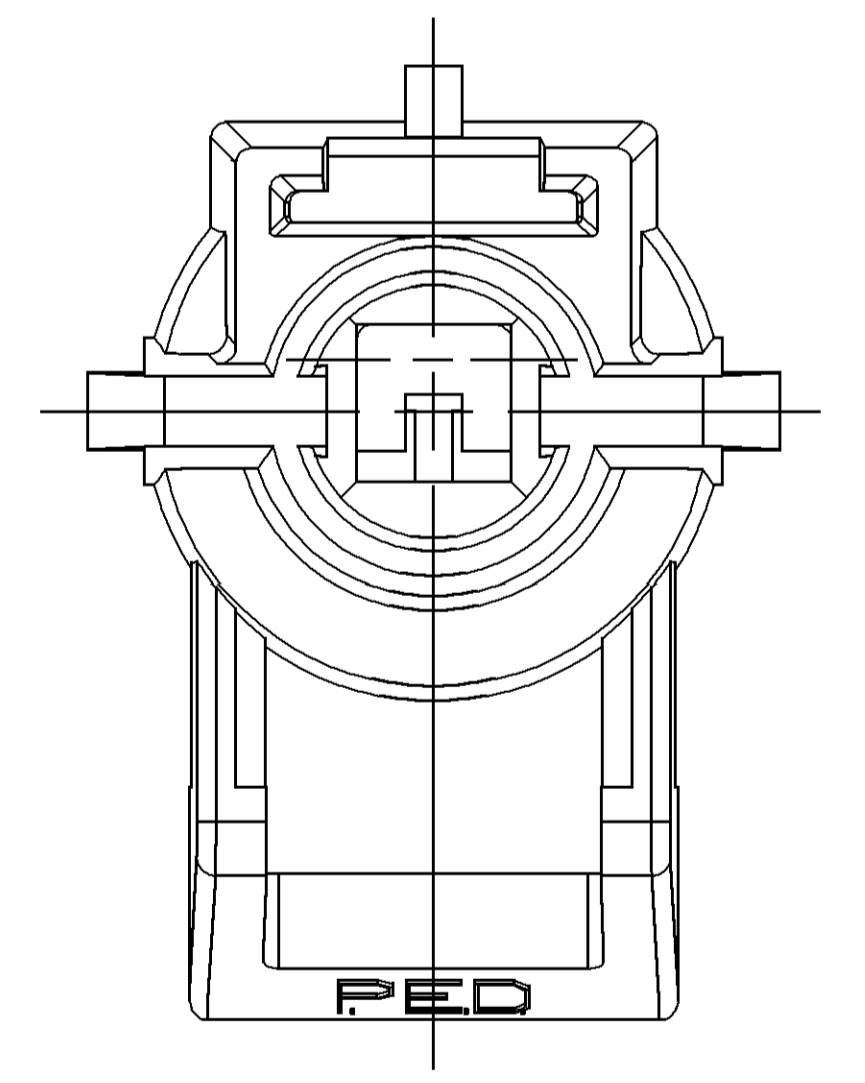
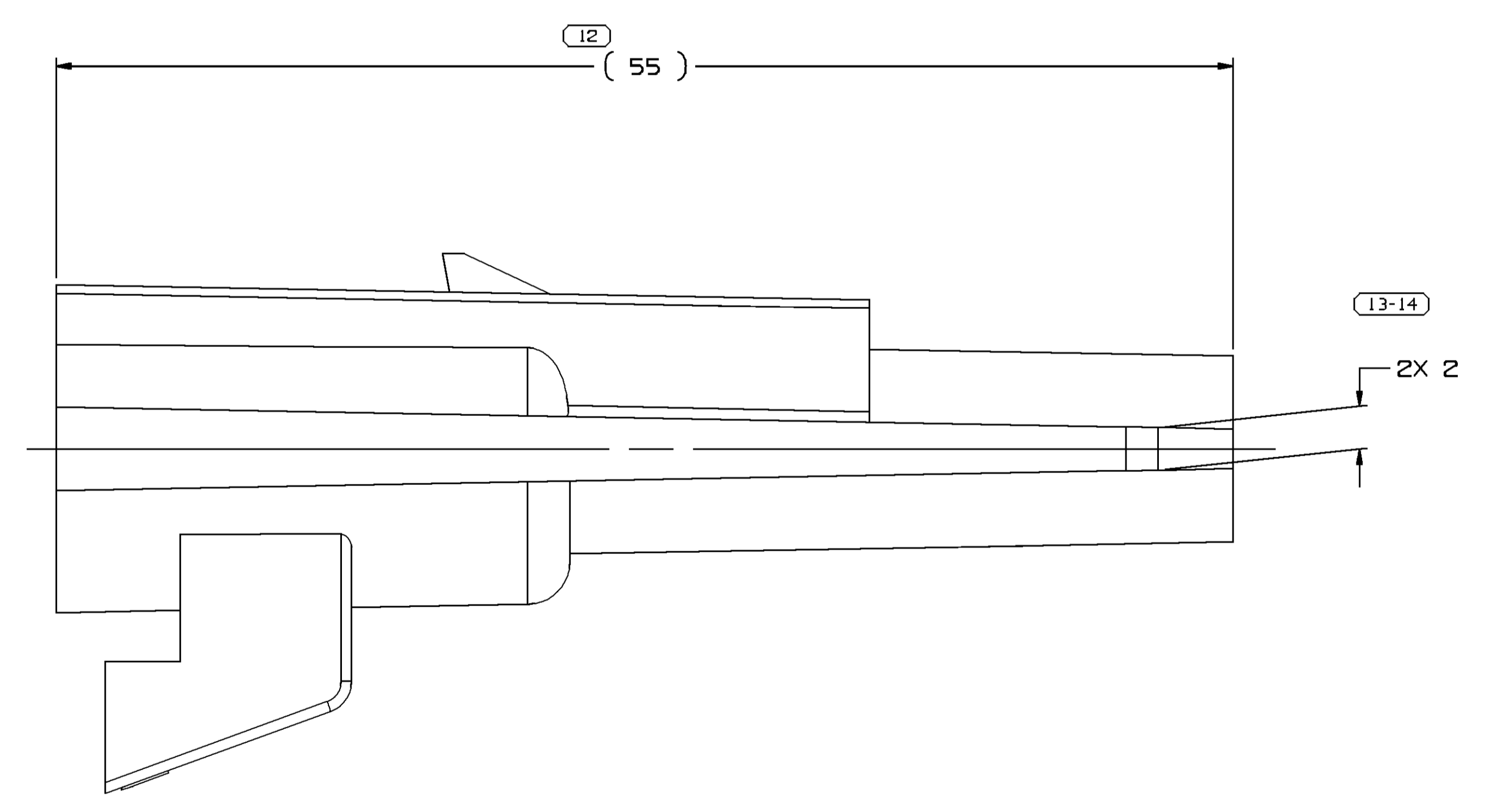
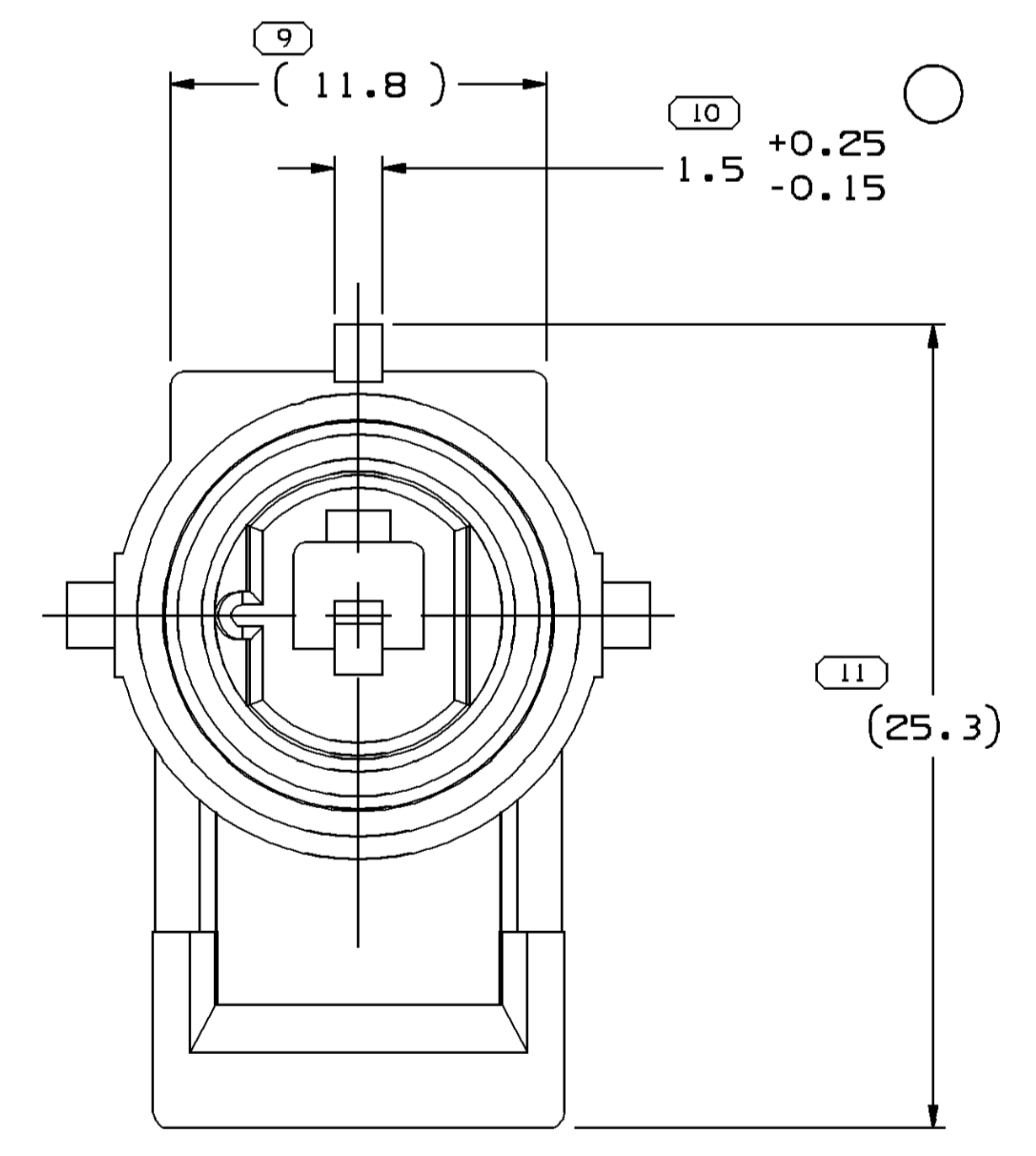
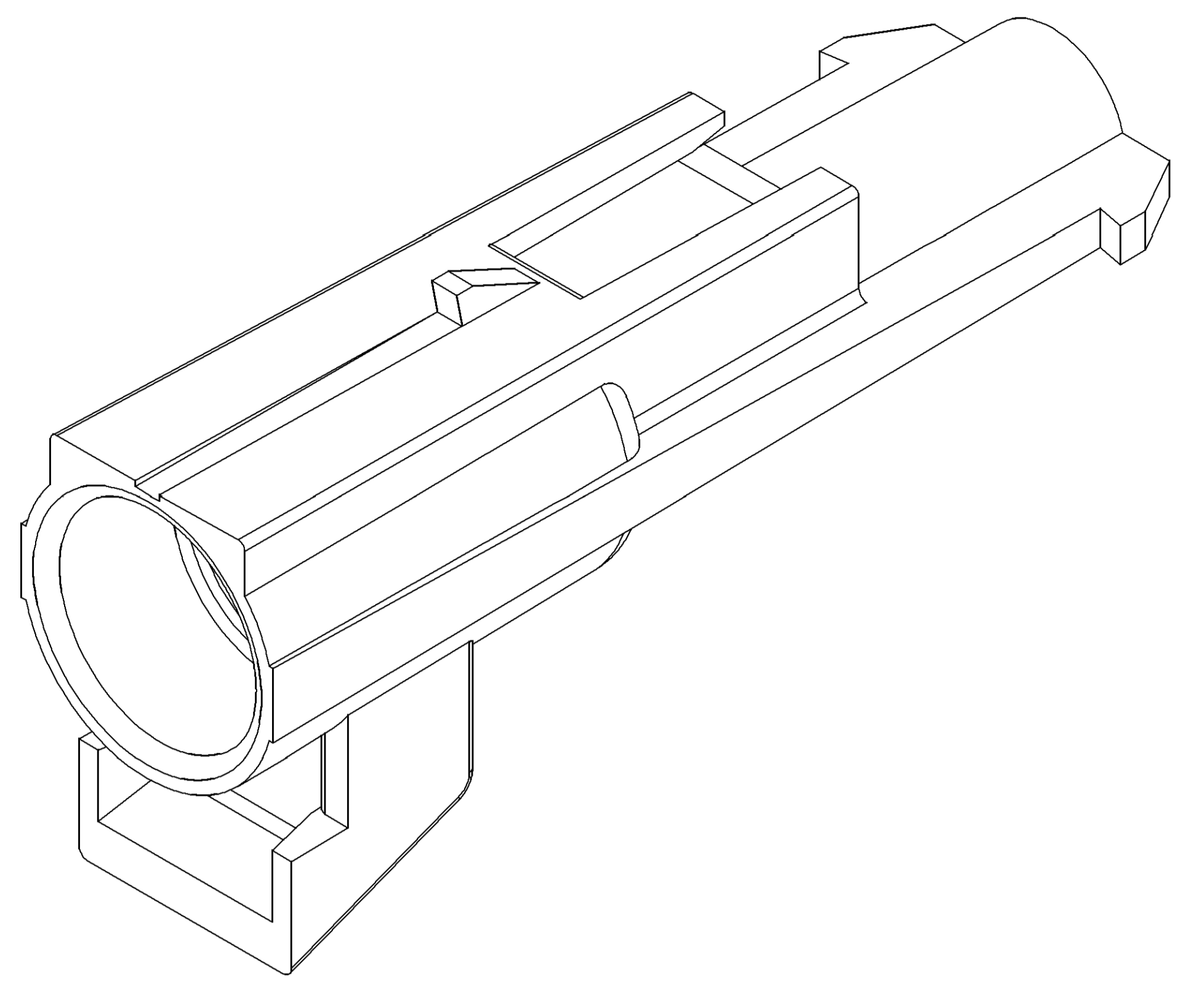
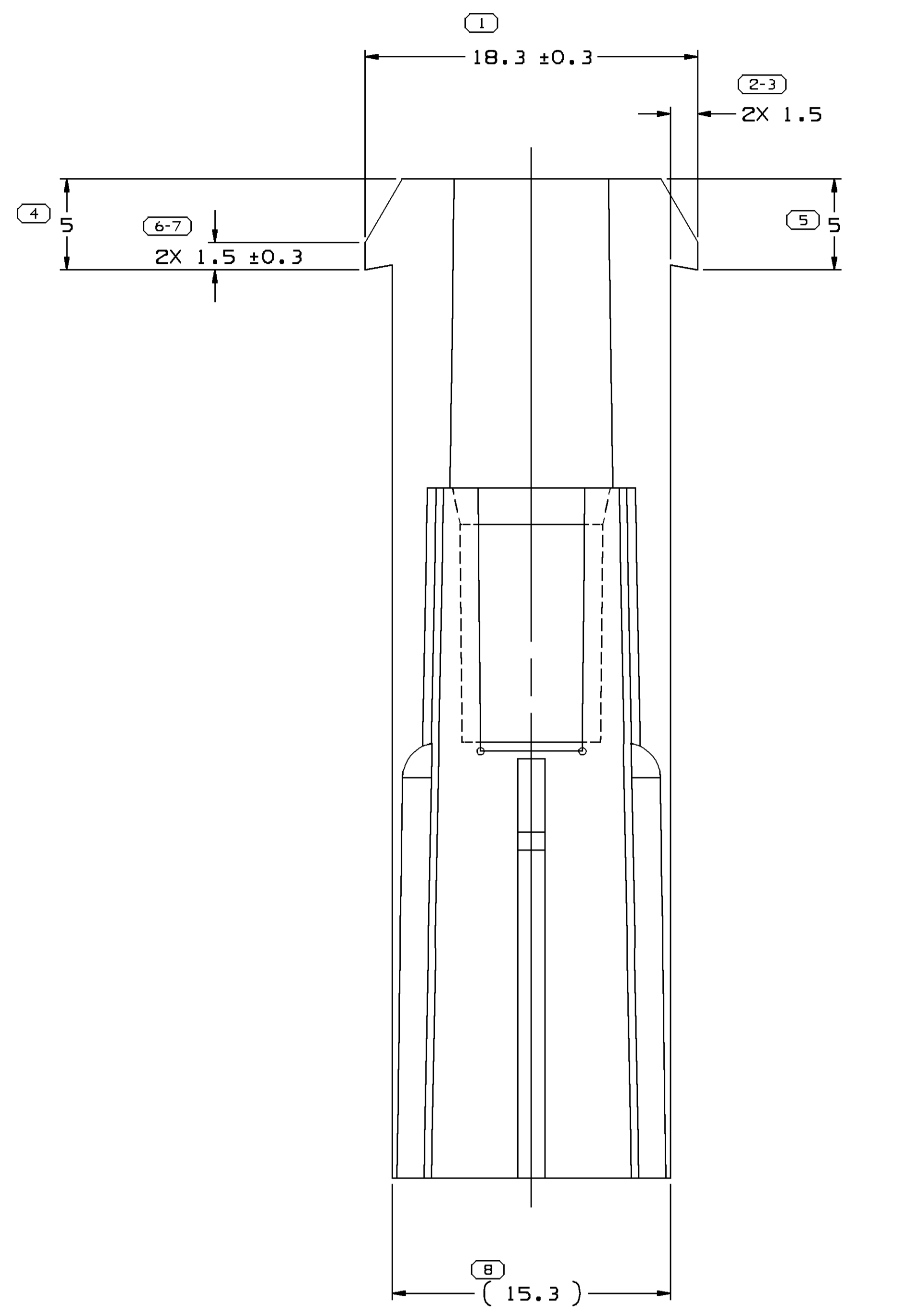


SYMBOL DEFINITION				MISSING NUMBERS				DATE				REVISION HISTORY				AUTH		DR		AP/VD	
THE NUMBER INSIDE THE SYMBOL	THE SYMBOL	TOTAL NO. OF SYMBOLS ON DRAWING	LAST NO. USED	DATE	STG	REV	N/P	CHG	ZONE	DATE	STG	REV	N/P	CHG	ZONE	DATE	STG	REV	N/P	CHG	ZONE
11	(11)	11		19JUL99	R	A6	-	-		19JUL99	R	A6	-	-		REDRAWN TO PD	990007	EOV	CMP		
				19JUL99	R	A7	-	-		19JUL99	R	A7	-	-		UPDATED PDM ATTRIBUTES	195282	EOV	CMP		
				22SEP08	R	AB	-	-		22SEP08	R	AB	-	-		REDRAWN TO PD, ADDED APPLICATION DATA NOTE AND DIM #10 WAS 1.5 +0.2/-0.15	406192	EFS	AUG	WTM	



- NOTES**
- UNLESS OTHERWISE SPECIFIED AND/OR INDICATED:  
DIMENSIONS ARE TO FACE OF VIEW SHOWN AND AUTOMATICALLY ROUNDED BY COMPUTER FOR INSPECTION (SEE MATH MODEL FOR PRECISE DIMENSIONS). FOR ALL OTHER DIMENSIONS NOT SHOWN BUT REQUIRED FOR TOOL BUILD, SEE MATH MODEL FOR PRECISE TOOL PATH DATA.
  - MATERIAL RECYCLING CODE PER ISO 11469, (2.3) X (0.1) RAISED CHARACTERS AS SHOWN TO BE LOCATED ON ANY EXTERIOR SURFACE. OPTIONAL CONSTRUCTION TO BE NO MATERIAL RECYCLING CODE.
  - THIS PRODUCT IS NOT CATEGORIZED AS AN APPEARANCE ITEM, MINOR IMPERFECTIONS INCLUDING, BUT NOT LIMITED TO, FLOW MARKS, COLOR BLEMISHES, GATE VESTIGE, AND SOFT FLASH THAT DO NOT AFFECT THE FIT, FORM, OR FUNCTION OF THE PART ARE PERMISSIBLE PER NAP 4.10-18.
  - (2.3) X (0.1) DELPHI CORPORATE BRAND TO BE LOCATED ON ANY EXTERIOR SURFACE, PREFERABLY VISIBLE AT FINAL ASSEMBLY. OPTIONAL CONSTRUCTION TO BE "PED."
  - FOR APPLICATION DATA SEE THE APPLICATION DRAWING.

Dwg Type: PART DRAWING																									
Style:	D																								
Volume (QTY): 5,173	DISTR CODE:																								
UNLESS OTHERWISE SPECIFIED THIS DOCUMENT IS IN ACCORDANCE WITH ASME Y14.5M-1994 AS MODIFIED BY THE IN-SUPPLY DIMENSIONING AND TOLERANCING ADDENDUM-2003. SEPARATE WRITINGS OF FEATURES MAY BE BASED SEPARATELY PER HOLDERS OF DRAWING REFERENCES.																									
ALL DIMENSIONS ARE IN MILLIMETERS																									
REFERENCE:																									
<table border="1"> <tr> <th>DIMENSIONAL RANGE (MM)</th> <th>CHGRT</th> <th>ET</th> </tr> <tr> <td>FROM &gt; 0</td> <td>&gt; 30</td> <td>&gt; 100</td> </tr> <tr> <td>TO</td> <td>30</td> <td>100</td> </tr> <tr> <td colspan="3">TOLERANCE UNLESS OTHERWISE SPECIFIED:</td> </tr> <tr> <td>±0.15</td> <td>±0.2</td> <td>±0.3</td> </tr> <tr> <td>±0.4</td> <td>±0.5</td> <td>±0.6</td> </tr> <tr> <td>±1</td> <td>±1.2</td> <td>±1.6</td> </tr> <tr> <td colspan="3">ANGULAR TOLERANCE: 2°</td> </tr> </table>		DIMENSIONAL RANGE (MM)	CHGRT	ET	FROM > 0	> 30	> 100	TO	30	100	TOLERANCE UNLESS OTHERWISE SPECIFIED:			±0.15	±0.2	±0.3	±0.4	±0.5	±0.6	±1	±1.2	±1.6	ANGULAR TOLERANCE: 2°		
DIMENSIONAL RANGE (MM)	CHGRT	ET																							
FROM > 0	> 30	> 100																							
TO	30	100																							
TOLERANCE UNLESS OTHERWISE SPECIFIED:																									
±0.15	±0.2	±0.3																							
±0.4	±0.5	±0.6																							
±1	±1.2	±1.6																							
ANGULAR TOLERANCE: 2°																									
THIRD ANGLE PROJECTION	DO NOT SCALE																								
USE MATH DATA	NX																								

**DELPHI**  
DELPHI PACKARD ELECTRICAL/ELECTRONIC ARCHITECTURE  
WARREN, OH

DR	DATE
APV01 B. RUBERTO	15AP93
APV02 B. RUBERTO	15AP93
APV03 R. MAGA	22AP93
APV04	
APV05	

SUBSTANCES OF CONCERN AND RECYCLED CONTENT PER DELPHI 10949001

MATERIAL: POLYAMIDE COMPOUND BLACK

DRAWING NAME: CONN 1 M M/P 280 SLD

DRAWING NUMBER: 12146314

SIZE: A0	SCALE: 5:1	FRAME NO: 1	SHEET NO: 1	OF: 1	STG: R	REV: AB	N/P: -
----------	------------	-------------	-------------	-------	--------	---------	--------