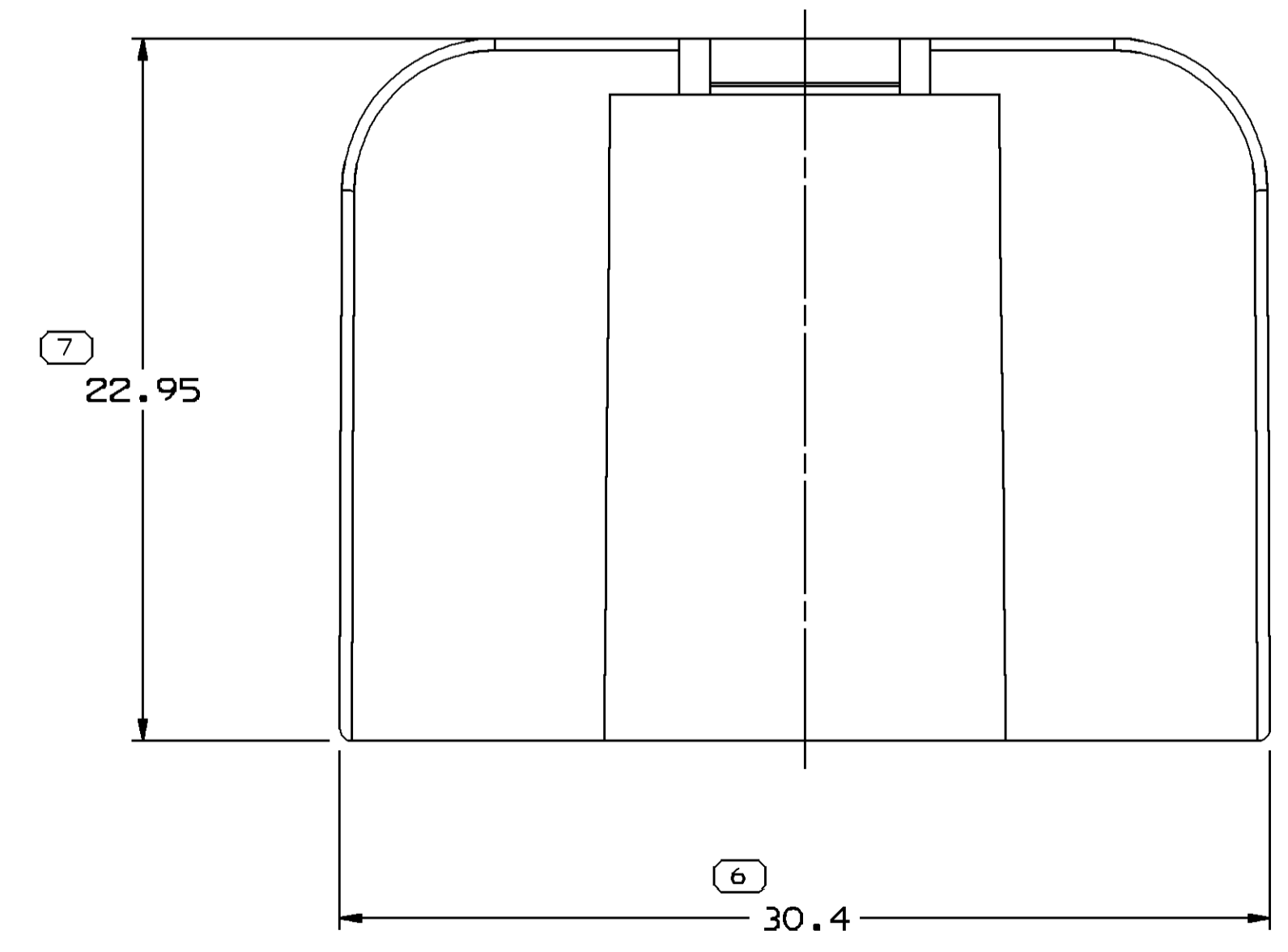
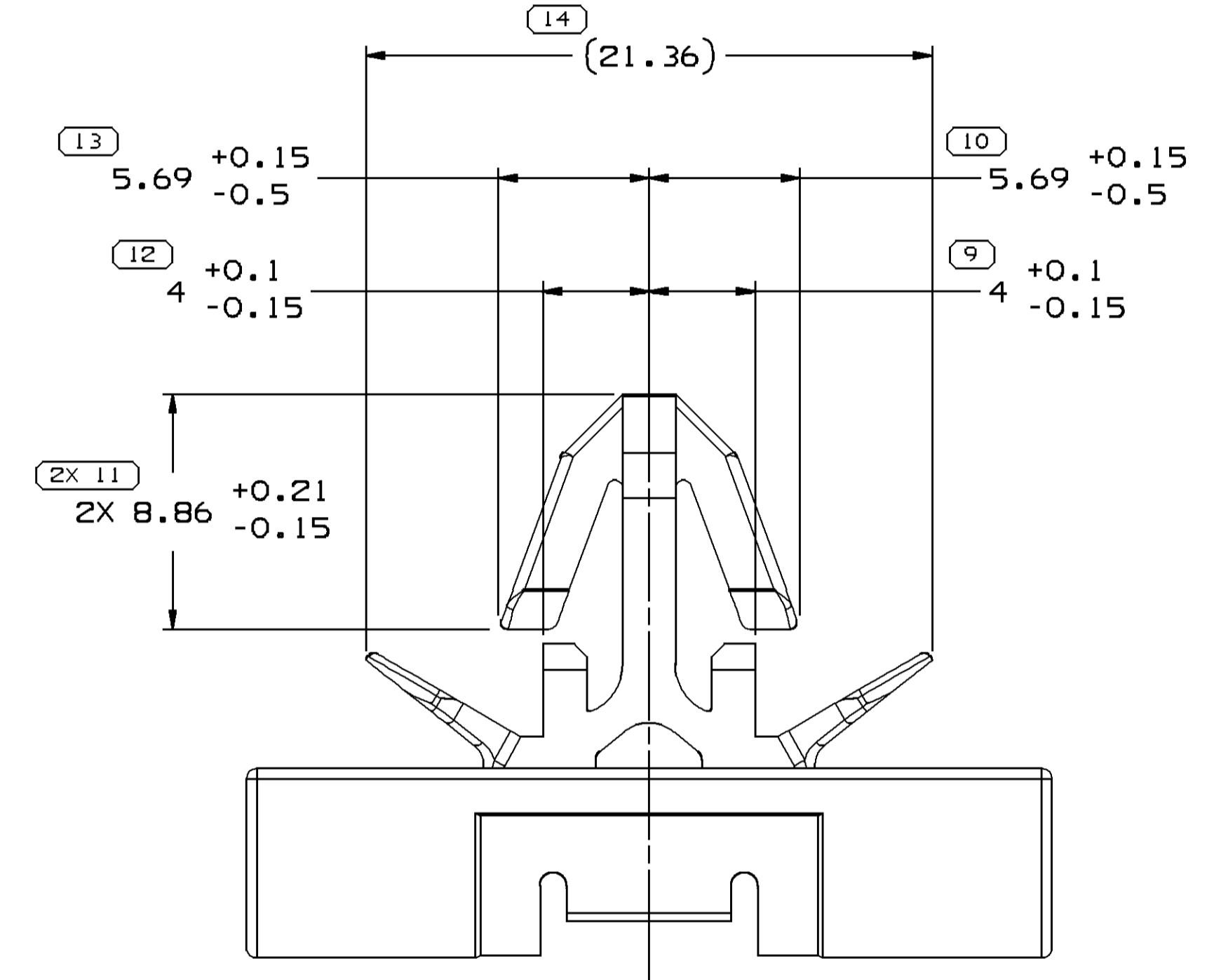
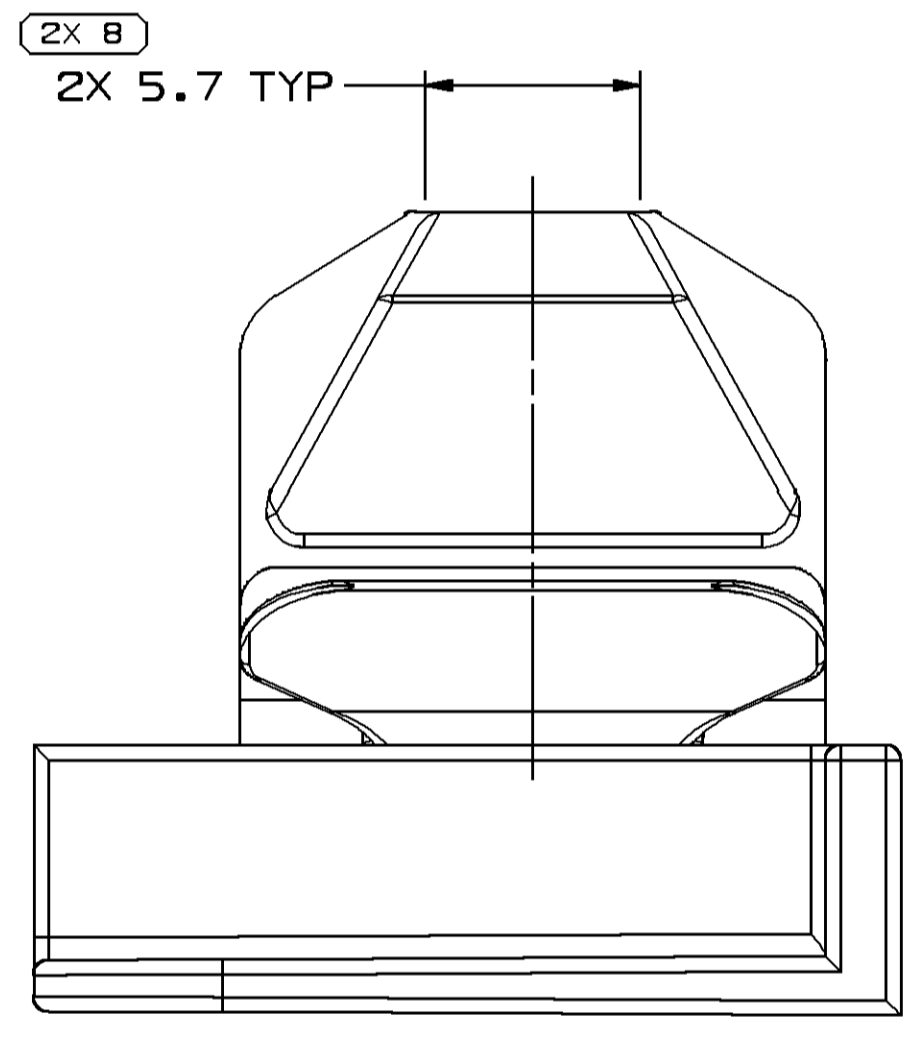
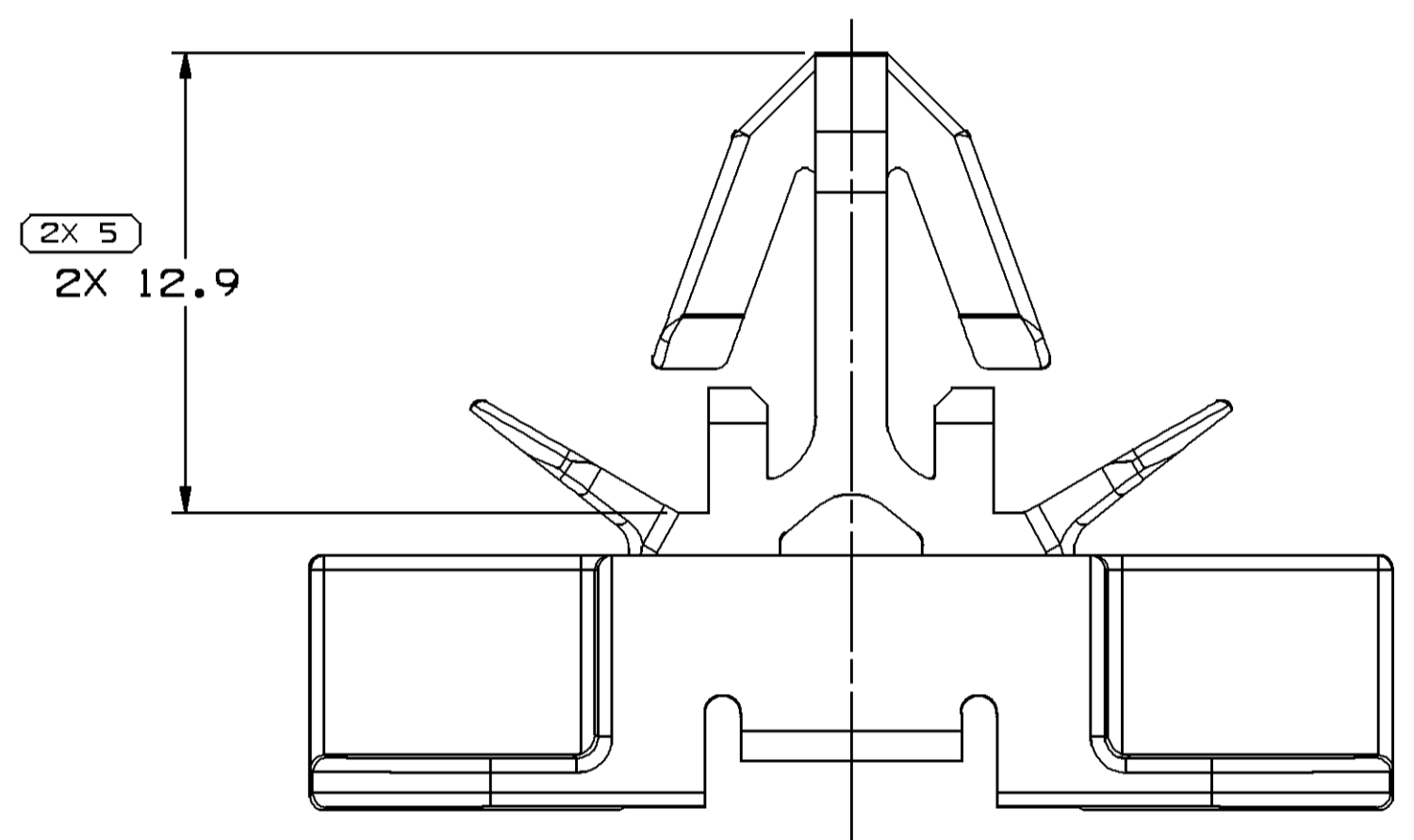
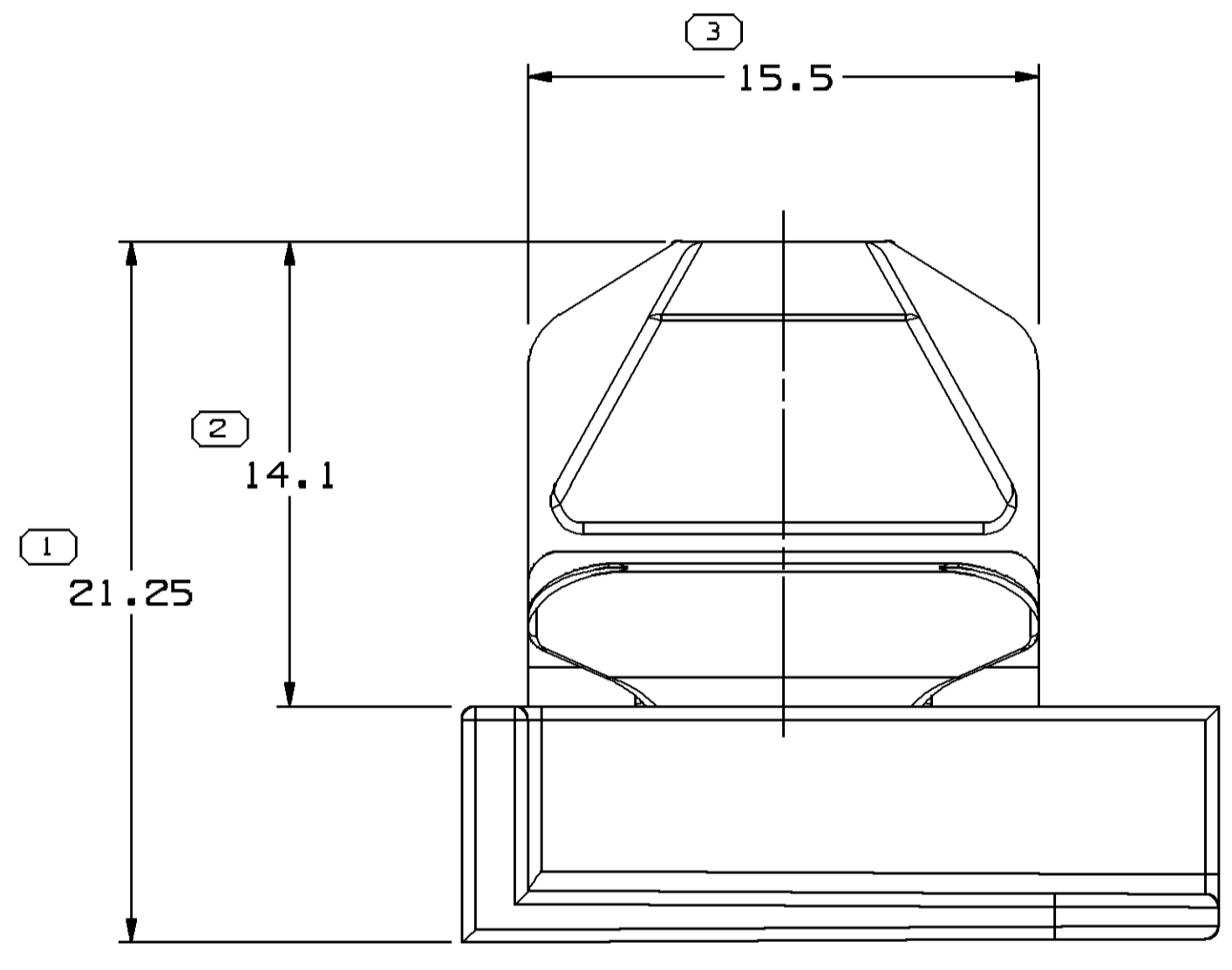
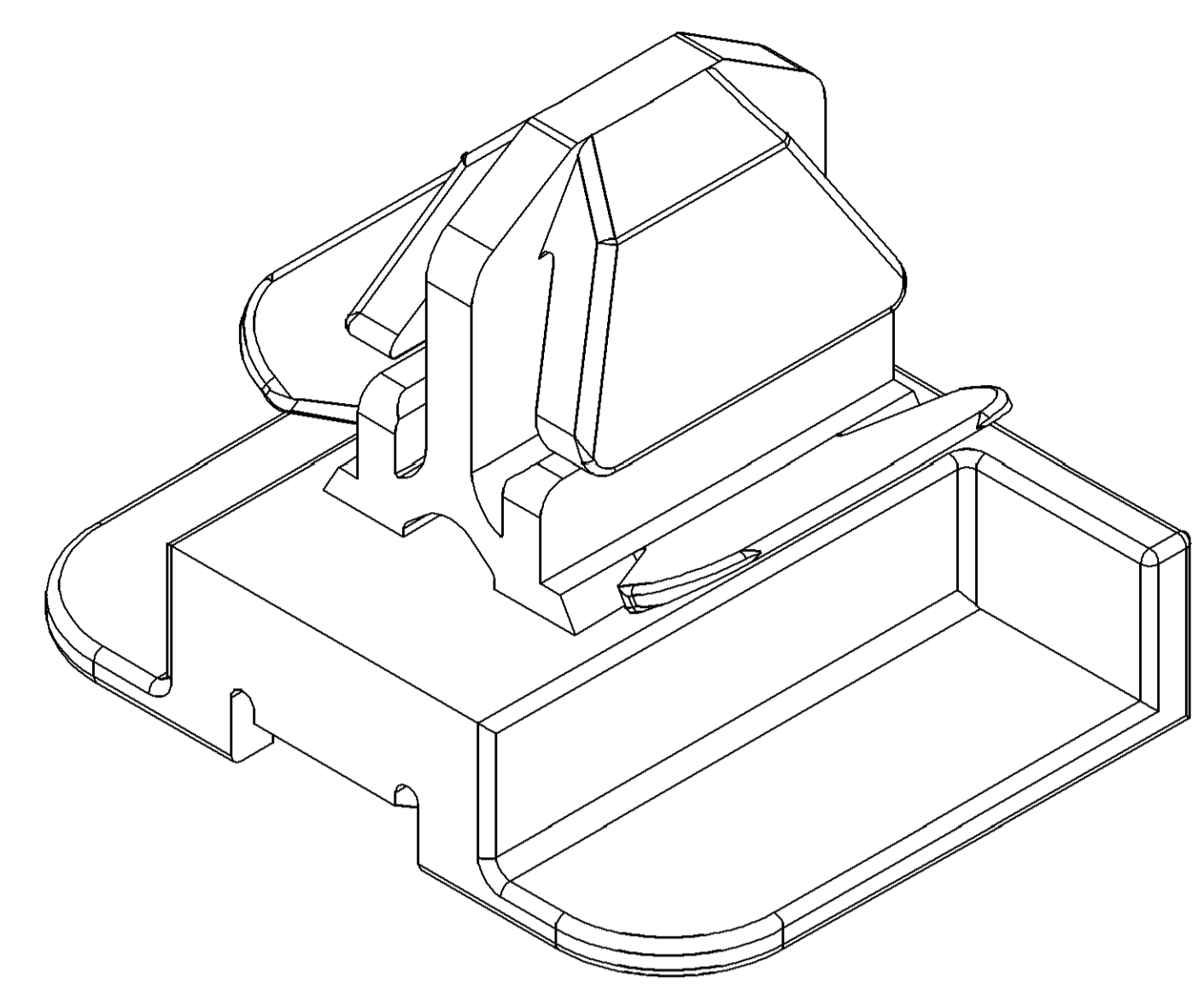
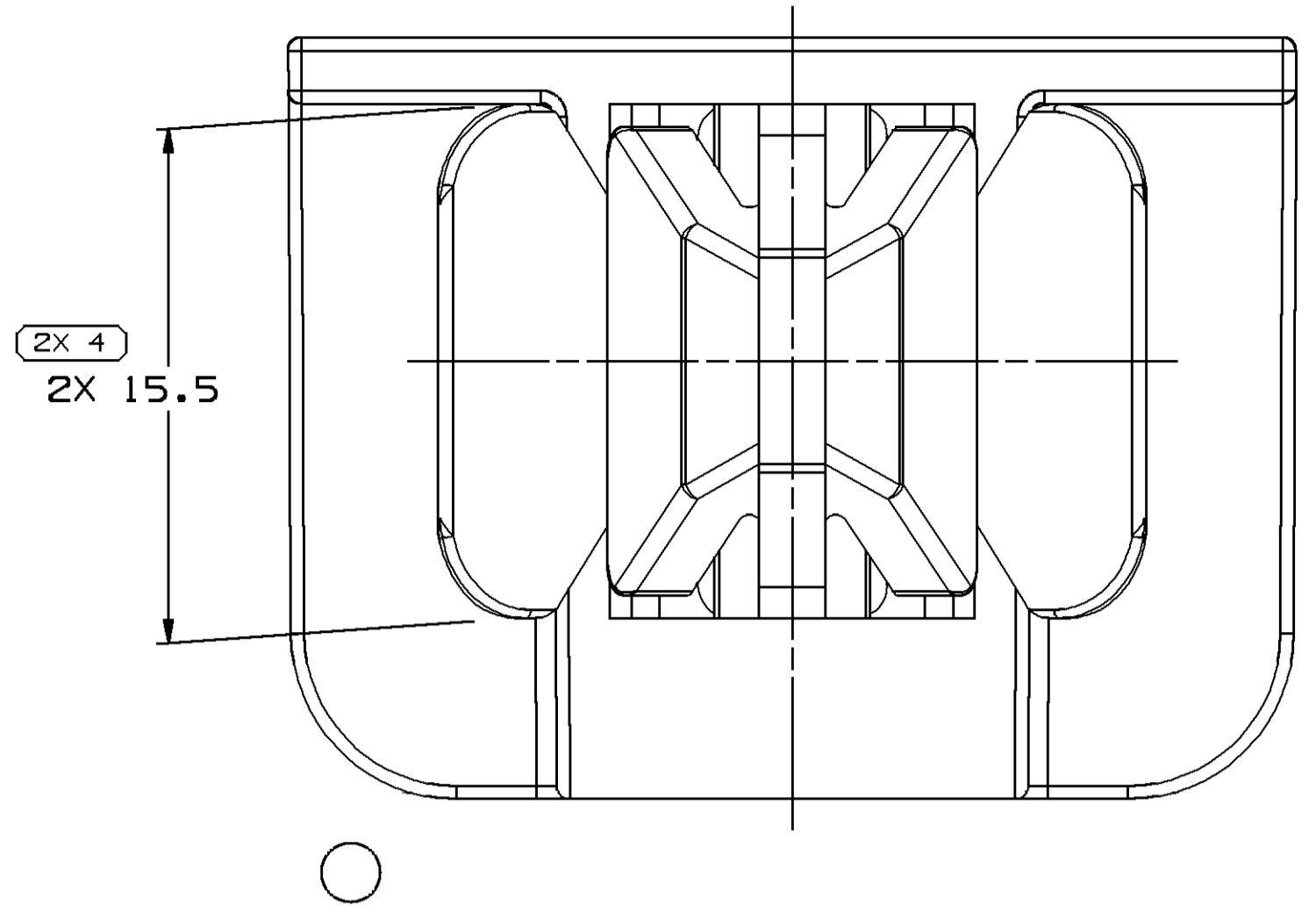


SYMBOL DEFINITION		MISSING SYMBOLS	
A DIMENSION WITHOUT AN INSPECTION REPORT SYMBOL DOES NOT REQUIRE INSPECTION. IT MAY BE CONTROLLED ON THE INDIVIDUAL COMPONENT DRAWING.	TOTAL NO OF INSPECTIONS REQUIRED	NO MISSING SYMBOL NUMBER	
	18		
	LAST NO. USED	14	

DWG STATUS						REVISION HISTORY		AUTH	DR	APVD	APVD
DATE	STG	REV	W/P	CHG	ZONE						
17MR11	R	01	-	-	-	WAS PE208574 AND RELEASED		413180	AGM	JVM	FRE
14FE13	R	01	AA	-	-	MAXIMUM STOCK THICKNESS IN NOTE 2 WAS 3 MM AND ADDED INSERTION FORCE NOTE		421110	FRE	FRE	AAS
26FE13	R	01	AB	-	-	UPDATED PDM ATTRIBUTES		421494	FRE	JRV	FRE
08AP13	R	01	AC	-	-	REVISED GRAPHICS		422013	JTV	JTV	FRE



NOTES

- UNLESS OTHERWISE SPECIFIED AND/OR INDICATED:
DIMENSIONS ARE TO FACE OF VIEW SHOWN AND AUTOMATICALLY ROUNDED BY COMPUTER FOR INSPECTION (SEE MATH MODEL FOR PRECISE DIMENSIONS). FOR ALL OTHER DIMENSIONS NOT SHOWN BUT REQUIRED FOR TOOL BUILD, SEE MATH MODEL FOR PRECISE TOOL PATH DATA.
- PART TO FIT RECTANGULAR HOLE (8.5 ±0.25) X (16 ±0.25) WITH STOCK THICKNESS OF 0.7 - 2.65 MM.
- (1.5)X(0.1) DELPHI CORPORATE BRAND TO BE LOCATED ON ANY EXTERIOR SURFACE, PREFERABLY VISIBLE AT FINAL ASSEMBLY. OPTIONAL CONSTRUCTION FOR EXISTING TOOLING MAY BE "PED".
- THIS PRODUCT IS NOT CATEGORIZED AS AN APPEARANCE ITEM, MINOR IMPERFECTIONS INCLUDING, BUT NOT LIMITED TO, FLOW MARKS, COLOR BLEMISHES, GATE VESTIGE, AND SOFT FLASH THAT DO NOT AFFECT THE FIT, FORM, OR FUNCTION OF THE PART ARE PERMISSIBLE PER DPNP-4.7-CS-01.
- CLIP INSERTION FORCE INTO PLATE IS ABOVE 82N.

DIMENSIONAL RANGE (MM)		CHART E1	
FROM	TO	> 70	> 100
> 0	> 20	> 30	> 70
> 20	> 30	> 70	> 100
> 30	> 70	> 100	> 150
> 70	> 100	> 150	> 200
> 100	> 150	> 200	> 250
> 150	> 200	> 250	> 300
> 200	> 250	> 300	> 400
TOLERANCE UNLESS OTHERWISE SPECIFIED			
±0.15 ±0.2 ±0.3 ±0.4 ±0.5 ±0.6 ±0.8 ±1 ±1.2		ANGULAR TOLERANCE ±2°	

DELPHI	
DELPHI PACKARD ELECTRICAL/ELECTRONIC ARCHITECTURE	
WARREN, OH	
COPYRIGHT 2011 DELPHI CORPORATION AND/OR ITS AFFILIATES. ALL RIGHTS RESERVED.	
THIS DRAWING IS THE PROPERTY OF DELPHI CORPORATION AND CONTAINS DELPHI CONFIDENTIAL INFORMATION. THE REPRODUCTION, DISTRIBUTION AND UTILIZATION OF THIS DOCUMENT OR ITS CONTENTS AND DATA, AS WELL AS COMMUNICATION OF ANY CONTENT TO OTHERS, WITHOUT EXPRESS AUTHORIZATION, IS PROHIBITED.	
DR	DATE
APV01 ALLAN G. MARTINEZ	17MR11
APV02 J. VILLAMIL	17MR11
APV03 FAVIOLA RAMON	17MR11
APV04	
SUBSTANCES OF CONCERN AND RECYCLED CONTENT PER DELPHI 10949001	
MATERIAL: POLYAMIDE COMPOUND BLACK	
DRAWING NAME: MOUN CLIP CONN ROSEBUD	
DRAWING NUMBER: 13864344	
SIZE: A0	SCALE: 5:1
FRAME NO: 1	SHEET NO: 1 OF 1
REV: R	STG: 01
W/P: AC	