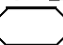
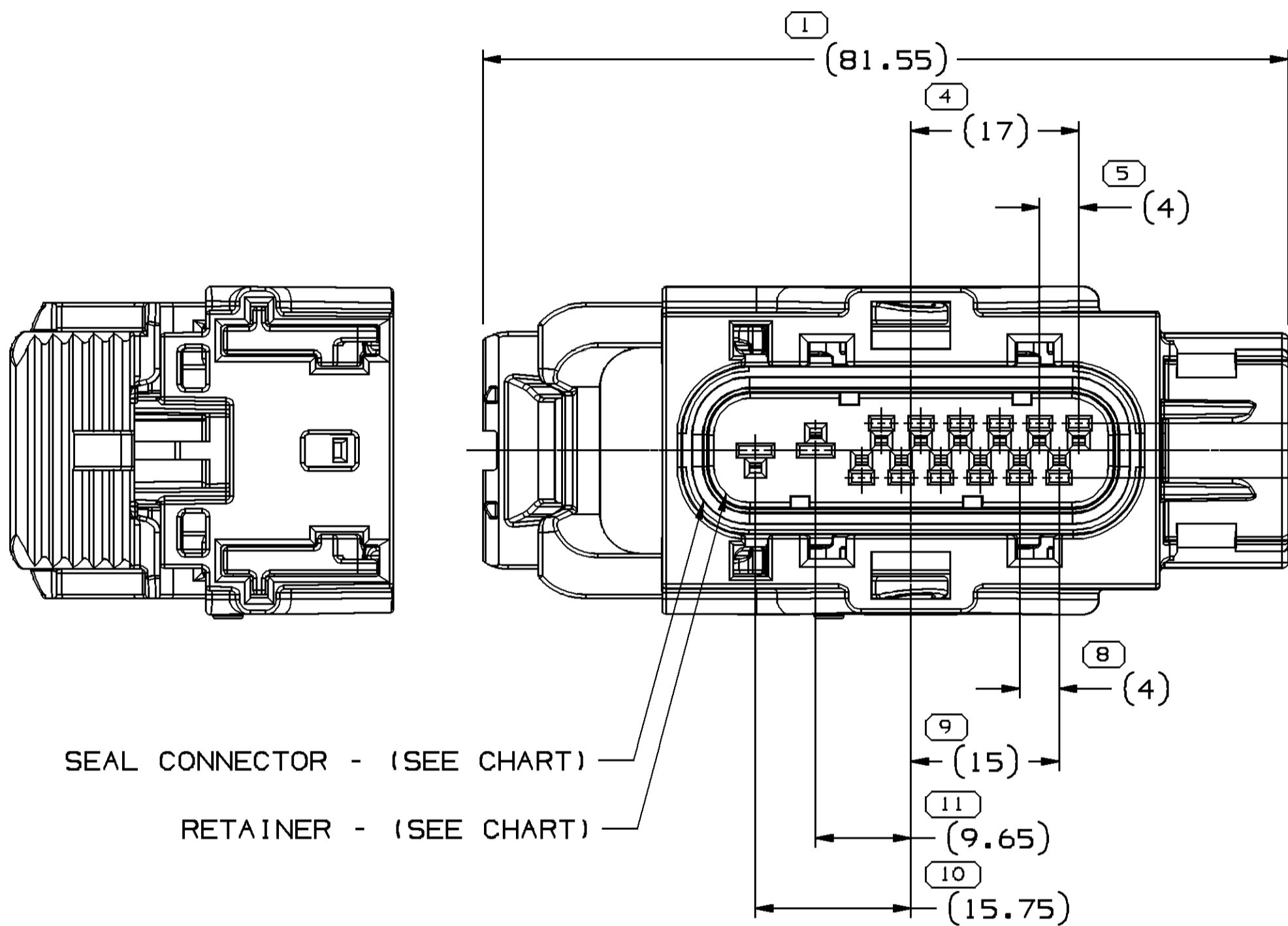
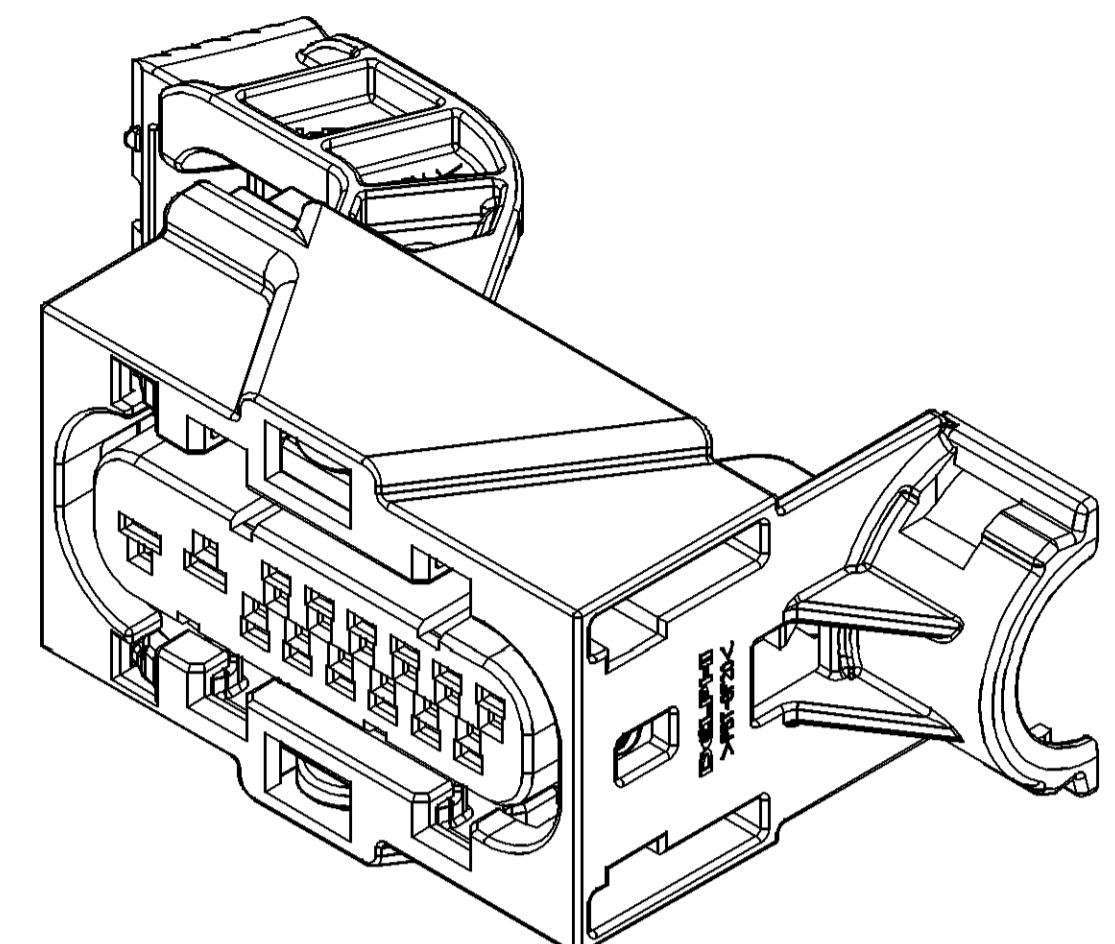
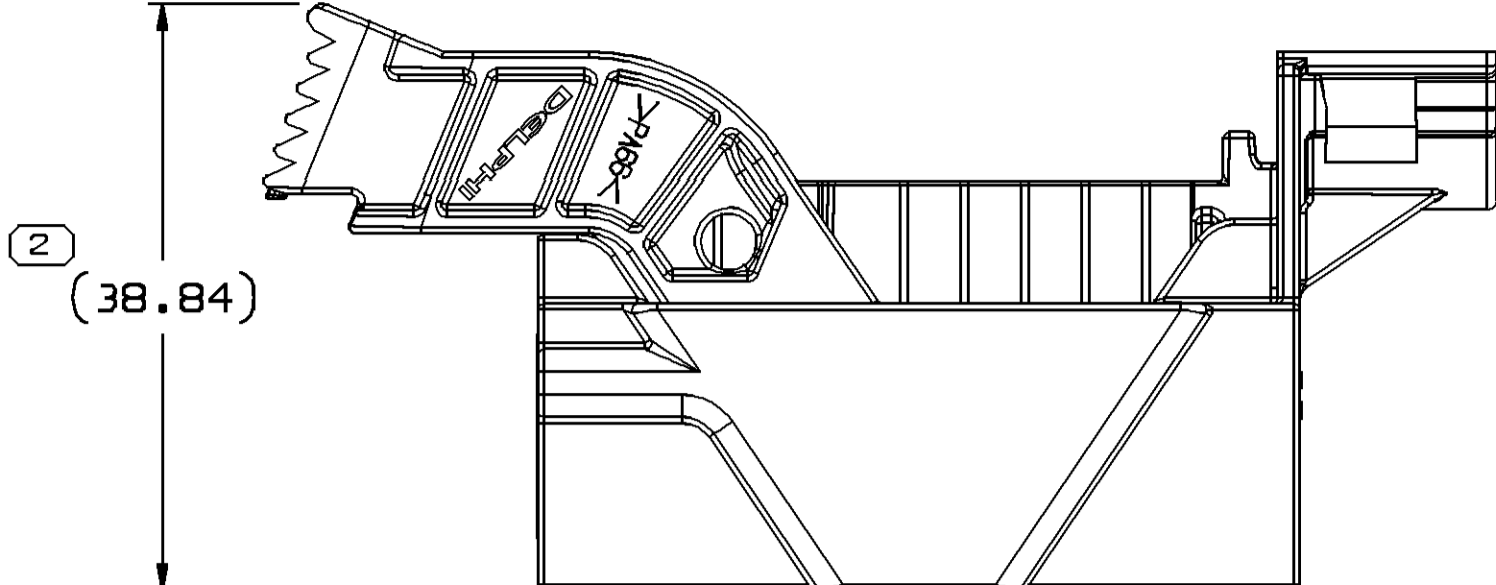
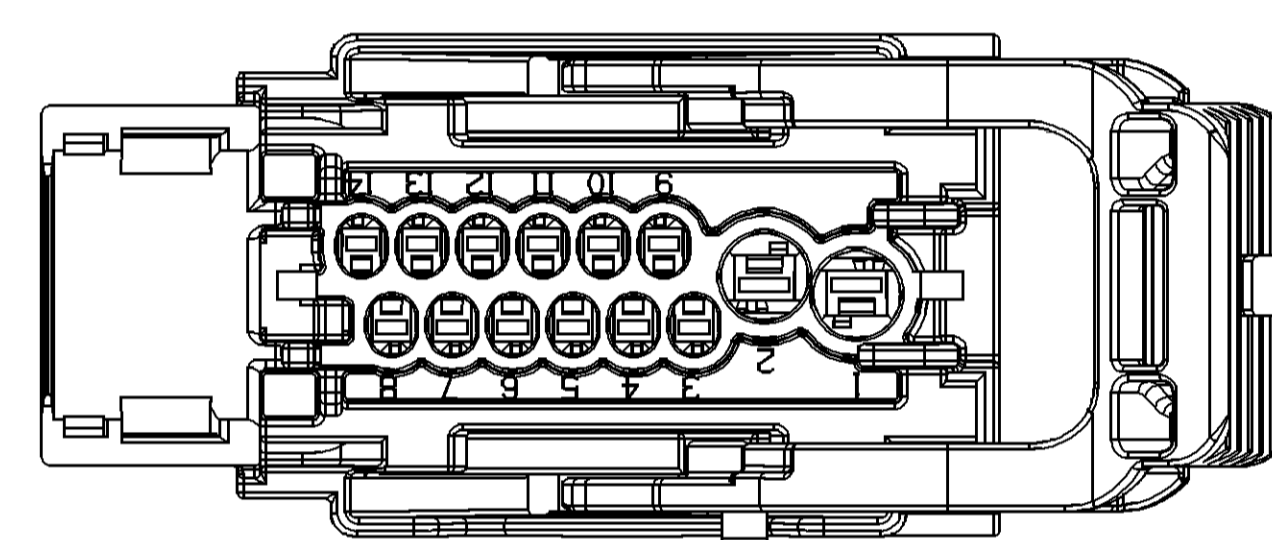
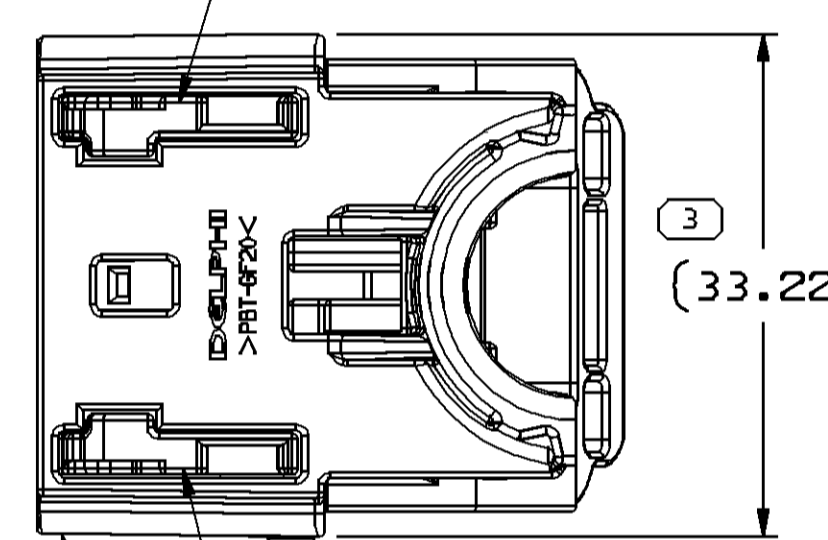


SYMBOL DEFINITION		MISSING SYMBOLS	
A DIMENSION WITHOUT AN INSPECTION REPORT SYMBOL  DOES NOT REQUIRE INSPECTION. IT MAY BE CONTROLLED ON THE INDIVIDUAL COMPONENT DRAWING.	TOTAL NO OF INSPECTIONS REQUIRED	NO MISSING SYMBOL NUMBER	11
	LAST NO. USED		11

DWG STATUS					ZONE	REVISION HISTORY	AUTH	DR	APVD 1	APVD 2
DATE	STG	REV	N/P	CHG						
05MY05	R	01	-	-		WAS PE130755 AND RELEASED	267643	GPS	JVM	CSD
25AU05	R	02	-	-		UPDATED CONNECTOR AND RETAINER	271434	JPH	JAA	CSD
21AP06	R	03	-	-		LK HANDLE 13582671 WAS 15476350	279331	JBD	FRG	CSD
17N006	R	03	AA	-		REVISED THIS PART ACCEPTS NOTE AND DIMS 4 THRU 11 WERE BASIC	285910	MM	MM	CSD
20JN07	R	03	AB	-		ADDED NOTE #5	401739	MAC	MAC	CSD



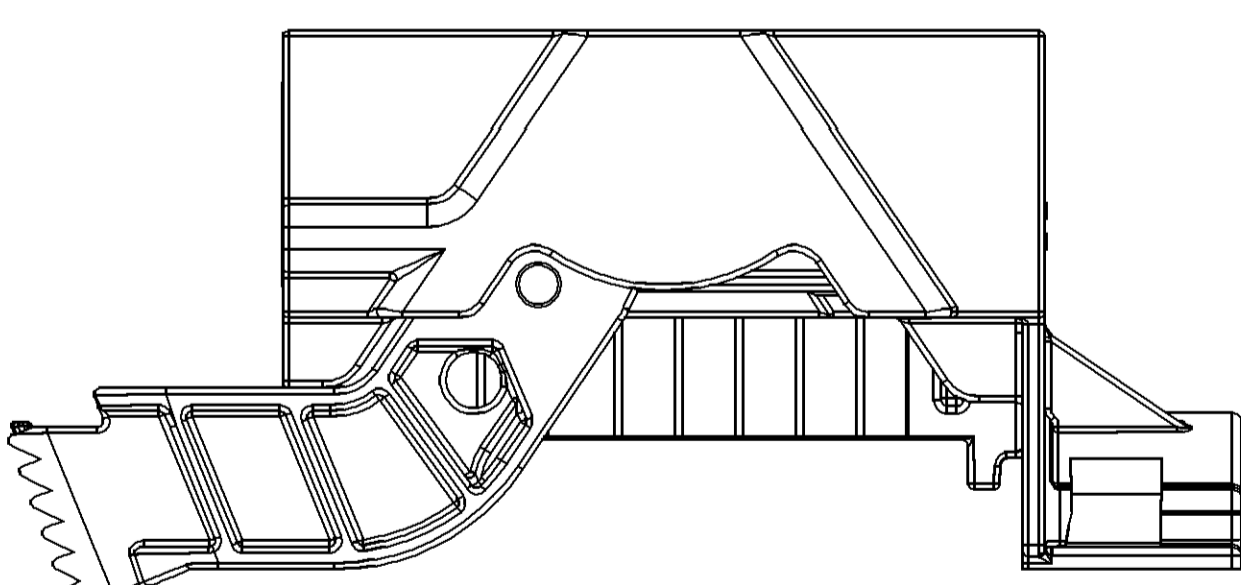
SLIDE ASSIST RH - (SEE CHART)



SLIDE ASSIST LH - (SEE CHART)

CONNECTOR - (SEE CHART)

SEAL CONNECTOR - (SEE CHART)  
RETAINER - (SEE CHART)



LOCK CONN LK HANDLE - (SEE CHART)

NOTES

- UNLESS OTHERWISE SPECIFIED AND/OR INDICATED:  
DIMENSIONS ARE TO FACE OF VIEW SHOWN AND AUTOMATICALLY ROUNDED BY COMPUTER FOR INSPECTION (SEE MATH MODEL FOR PRECISE DIMENSIONS). FOR ALL OTHER DIMENSIONS NOT SHOWN BUT REQUIRED FOR TOOL BUILD, SEE MATH MODEL FOR PRECISE TOOL PATH DATA.
- THIS PART ACCEPTS THE FOLLOWING COMPONENTS OR EQUIVALENT:  
WIRE DRESS COVER 13522384  
TERMINAL POSITION ASSURANCE 13522385  
CONNECTOR POSITION ASSURANCE 15357145  
TERMINAL (150 GT) 15326266  
TERMINAL (280 GT) 15304720  
CABLE SEAL (150 GT) 15366022  
CABLE SEAL (280 GT) 15366067  
CAVITY PLUG (150 GT) 15305171  
CAVITY PLUG (280 GT) 15305170
- FOR MATING CONFIGURATION REQUIREMENTS SEE PART NUMBER 13522391.
- ALL BASIC DIMENSIONS ARE FOR REFERENCE ONLY.
- PART CONFORMS TO GMW3191 R8 - TPA ENGAGE IS < 60N

N/A

13522378	13522379	13522383	13522382	13522380	13522381	13582671
PART NO	CONNECTOR	SLIDE ASSIST RH	SLIDE ASSIST LH	SEAL CONNECTOR	RETAINER	LK HANDLE

DIMENSIONAL RANGE (MM)		CHART E1	
FROM	TO	FROM	TO
> 0	> 20	> 30	> 70
> 20	> 30	> 70	> 100
> 30	> 70	> 100	> 150
> 70	> 100	> 150	> 200
> 100	> 150	> 200	> 250
> 150	> 200	> 250	> 300
> 200	> 250	> 300	> 400

TOLERANCE UNLESS OTHERWISE SPECIFIED  
 ±0.15 | ±0.2 | ±0.3 | ±0.4 | ±0.5 | ±0.6 | ±0.8 | ±1 | ±1.2  
 ANGULAR TOLERANCE ±2°

DWG TYPE	PART DRAWING
STYLE	
VOLUME (C/P)	DISTR CODE
UNLESS OTHERWISE SPECIFIED	
THIS DOCUMENT IS IN ACCORDANCE WITH ASME Y14.5M-1994 AS AMENDED BY THE GM GLOBAL DIMENSIONING AND TOLERANCING ADDENDUM-2001. SEPARATE PATTERNS OF FEATURES MAY BE BAGED SEPARATELY REGARDLESS OF DATUM REFERENCES.	
ALL DIMENSIONS ARE IN MILLIMETERS	
REFERENCE	
THIRD ANGLE PROJECTION	DO NOT SCALE
	USE MATH DATA

**DELPHI**  
 DELPHI PACKARD ELECTRICAL/ELECTRONIC ARCHITECTURE  
 WARREN, OH

DR	DATE
APVD1 PATRICIA SANCHEZ	09MY05
APVD2 J. VILLAMIL	09MY05
APVD3 CHRIS DEPROFIO	13MY05
APVD4	
APVD5	

SUBSTANCES OF CONCERN AND RECYCLED CONTENT PER DELPHI 10949001

MATERIAL SEE DRAWINGS

DRAWING NAME  
 ASM CONN 14 F 0T 150 280 SLD MODULAR

DRAWING NUMBER  
 13522378

SIZE	SCALE	FRAME NO	SHEET NO	STG	REV	N/P
A1	2:1	1 OF 1	1 OF 1	R	03	AB