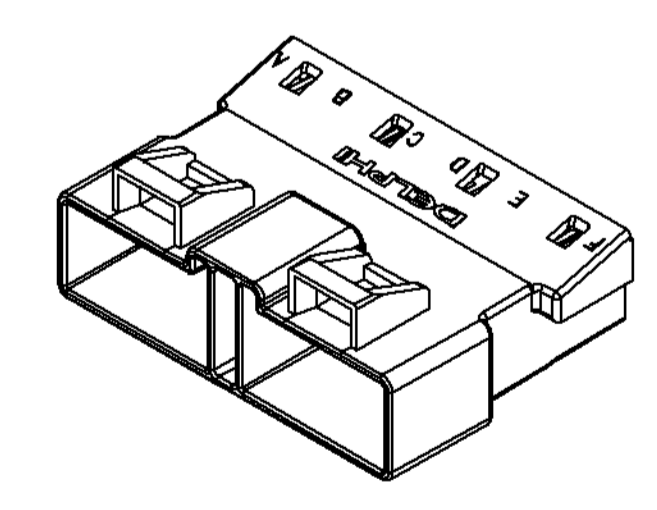


SYMBOL DEFINITION		MISSING SYMBOLS	
A DIMENSION WITHOUT AN INSPECTION REPORT SYMBOL DOES NOT REQUIRE INSPECTION. IT MAY BE CONTROLLED ON THE INDIVIDUAL COMPONENT DRAWING.	TOTAL NO OF INSPECTIONS REQUIRED	NO MISSING SYMBOL NUMBER	
	22		
	LAST NO. USED		
	17		

DWG STATUS				REVISION HISTORY				AUTH	
DATE	STG	REV	N/P	CHG	ZONE			DR	APVD
010003	R	F1	-	-		REDRAWN TO PD, MAT'L SPEC WAS R0071754 AND ADDED NOTES (2 PLCS)			
						245319	EAR	ET	

NOTES

- UNLESS OTHERWISE SPECIFIED AND/OR INDICATED: DIMENSIONS ARE TO FACE OF VIEW SHOWN AND AUTOMATICALLY ROUNDED BY COMPUTER FOR INSPECTION (SEE MATH MODEL FOR PRECISE DIMENSIONS). FOR ALL OTHER DIMENSIONS NOT SHOWN BUT REQUIRED FOR TOOL BUILD, SEE MATH MODEL FOR PRECISE TOOL PATH DATA.
- MATERIAL RECYCLING CODE PER ISO 11469. (2.3)X(0.1) RAISED CHARACTERS AS SHOWN TO BE LOCATED ON ANY EXTERIOR SURFACE. OPTIONAL CONSTRUCTION TO BE NO MATERIAL RECYCLING CODE.
- SEALING CODE 0 - UNSEALED
- THIS PART IS NOT CONTROLLED FOR AUTOMATIC FEEDING.
- MATING COMPONENTS OR EQUIVALENT:
CONNECTOR 12092399
CONNECTOR 12092400
- THIS PART ACCEPTS THE FOLLOWING COMPONENTS OR EQUIVALENT:
CONNECTOR POSITION ASSURANCE LOCK 12052834
TERMINAL POSITION ASSURANCE LOCK 12092401. (2 REQ'D)
- (2.3)X(0.1) RAISED DELPHI CORPORATE BRAND TO BE LOCATED ON ANY EXTERIOR SURFACE, PREFERABLY VISIBLE AT FINAL ASSEMBLY. OPTIONAL CONSTRUCTION TO BE "PED" OR NO LOGO.



DWG TYPE		PART DRAWING	
STYLE		DISTR CODE	D
VOLUME (CM)	17.718		
ROUTING	6900		

DELPHI
DELPHI PACKARD ELECTRIC SYSTEMS
WARREN, OH

DR	DATE
APVD1 R. L. FINK	17MY90
APVD2 J. RHINEHART	26JN90
APVD3 R. A. PETROSKY	14FE91

UNLESS OTHERWISE SPECIFIED
THIS DOCUMENT IS IN ACCORDANCE WITH ASME Y14.5M-1994
AS AMENDED BY THE 2003 DIMENSIONING AND TOLERANCING PRACTICE (DTP). SEPARATE MATING OF FEATURES MAY BE OBTAINED SEPARATELY REGARDLESS OF DATUM REFERENCES.

ALL DIMENSIONS ARE IN MILLIMETERS

DIMENSIONS ENCLOSED IN () INDICATE REFERENCE DIMENSIONS AND NO TOLERANCE LIMITS ARE ESTABLISHED

DIMENSIONAL RANGE (MM)	TOLERANCE (MM)
FROM > 0 TO > 30	± 0.15
> 30 TO > 70	± 0.20
> 70 TO > 100	± 0.30
> 100 TO > 150	± 0.40
> 150 TO > 200	± 0.50
> 200 TO > 250	± 0.60
> 250 TO > 300	± 0.70
> 300 TO > 400	± 0.80

CHART E1
DO NOT SCALE
USE MATH DATA

THIRD ANGLE PROJECTION

SHARP CORNER TOLERANCE

UNLESS OTHERWISE SPECIFIED

ANGULAR TOLERANCE ± 0.5°

DRAWING NAME: CONN 6 M M/P 800 SPL BLK

DRAWING NUMBER: 12110698

SIZE: A0
SCALE: 2:1
FRAME NO: 1 OF 1
SHEET NO: 1 OF 1
STG: R
REV: F1
N/P: -