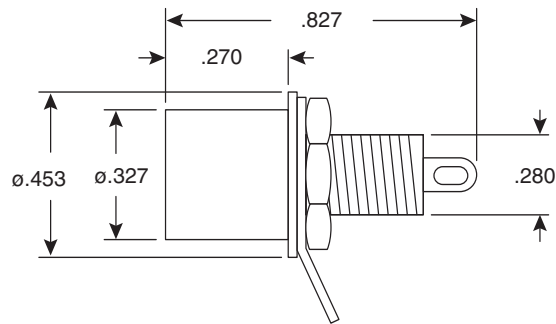
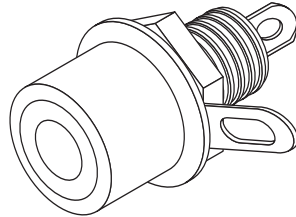


Chassis Mount Jacks

164-4215, 164-4315, 164-4321, 164-4325



Chassis Mount Jacks



Dimensions: In.

SPECIFICATIONS	
Type:	chassis (front) mount, grounded
Rating:	5A/200VDC, 150VAC max.
Insulation resistance:	100M Ω @ 500VDC
Insulation:	acetal
Body, nut, washer:	nickel plated (164-4215, 164-4315) gold plated brass (164-4221, 164-4225)
Socket:	silver plated (164-4215, 164-4315) gold plated brass (164-4221, 164-4225)
Solder tag:	tin lead plated (164-4221, 164-4225) gold plated brass (164-4221, 164-4225)
Mounting hole:	ϕ .283
Panel thickness:	.118" max.
Insulation color:	red (164-4315, 164-4325)

Date Last Revised: 4-19-05

Available from Mouser Electronics
1-800-346-6873
www.mouser.com

KC- 300548

164-4215, 164-4315, 164-4321, 164-4325