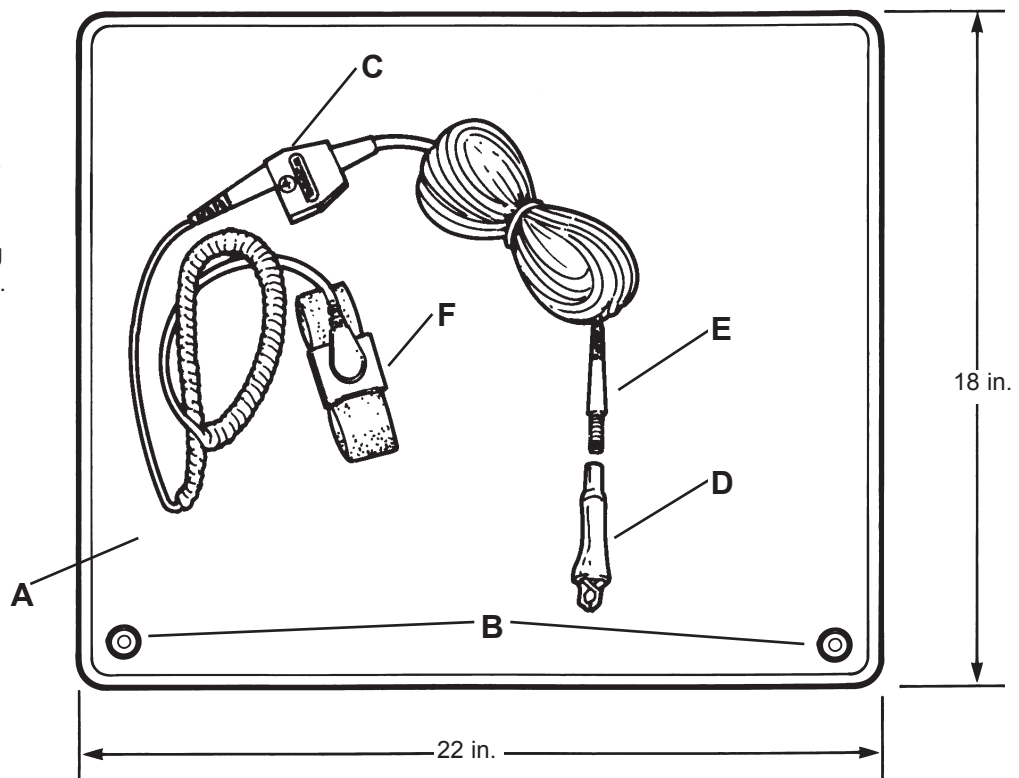


- A. Material is 0.018" (0.46mm) thick, red static dissipative vinyl. Surface resistance on both sides is  $1 \times 10^6$  to  $< 1 \times 10^9$  ohms per ANSI/ESD S4.1 and ESD TR53
- B. Two ground points, 10mm (0.395") female sockets, riveted to material.
- C. Common point ground cord, with 1 megohm resistor, 15' long high flex 20 AWG wire with black PVC 0.107" O.D. insulation. Ground terminations are 10mm (0.395") male snap with two un-resisted banana jacks for grounding wrist straps.
- D. A large detachable screw-on grounding clip (item [09750](#)) is included to connect to a ground point. The large, insulated clip provides plenty of holding power.
- E. Molded, 10-32 threaded metal end can fit into a banana jack or into the ground prong of a 3-wire AC electrical outlet.
- F. Item [16475](#) includes one adjustable elastic wristband and one six foot coil cord with a 1 megohm resistor. (See Drawings [09028](#) / [09480](#))
- G. Canvas field service carrying case included.



**Specifications:**

Color Red  
 Thickness 0.018" (0.46mm)  
 Bursting Strength 400 PSI

**Electrical Properties:**

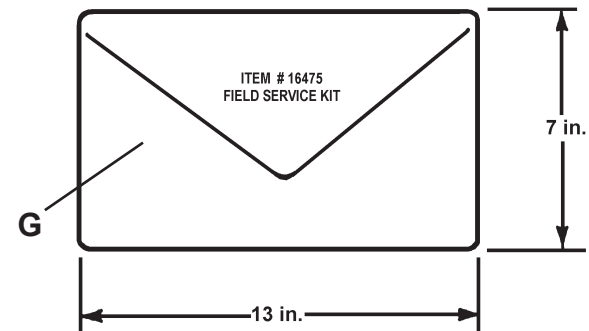
Rtt (Point to Point)  $1 \times 10^6$  to  $< 1 \times 10^9$  ohms per ANSI/ESD S4.1 and ESD TR53  
 Charge Decay 0.01 Sec. 5000V to 0V 12% RH per FTMS 101C-4046.1

Dissipative worksurface slows charge removal; meets ANSI/ESD S20.20 worksurface required limit and recommendation of ANSI/ESD S4.1

For complete information on field service kits, ask for Technical Bulletin [TB-2011](#).

*Unless otherwise noted, tolerance  $\pm 10\%$ .*

Specifications and procedures subject to change without notice.



Made in the United States of America

**KIT, FIELD SERVICE, VINYL, 18" x 22", RED**



DESCO WEST: 3651 WALNUT AVE., CHINO, CA 91710 WEB SITE: [Desco.com](#)  
 PHONE (909) 627-8178  
 DESCO EAST: ONE COLGATE WAY, CANTON, MA 02021-1407  
 PHONE (781) 821-8370

**DRAWING NUMBER**  
16475

**DATE:**  
May  
2015