



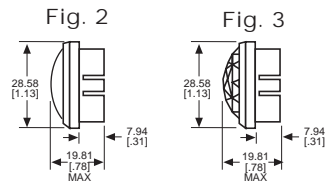
# 031 SERIES FOR 1" MOUNTING HOLE • FRICTION-FIT-CAP

| BASE PART NO.   | VOLTAGE | FIG |
|-----------------|---------|-----|
| 031-3101-01-101 | 6-250   | 1   |



Uses:  
S-6  
CANDELABRA  
SCREW BASE  
INCANDESCENT  
LAMP

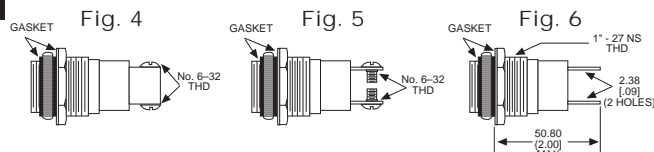
| CAP PART NO. | COLOR | FIG | CAP PART NO. | COLOR | FIG |
|--------------|-------|-----|--------------|-------|-----|
| 031-0111-300 | RED   | 2   | 031-0431-300 | RED   | 3   |
| 031-0112-300 | GREEN | 2   | 031-0432-300 | GREEN | 3   |
| 031-0113-300 | AMBER | 2   | 031-0433-300 | AMBER | 3   |
| 031-0135-300 | WHITE | 2   | 031-0435-300 | WHITE | 3   |
| 031-0137-300 | CLEAR | 2   | 031-0437-300 | CLEAR | 3   |



Material & Finish: Base - Nickel Plated Brass, Cap - Polycarbonate with Chrome Plated Brass Bezel

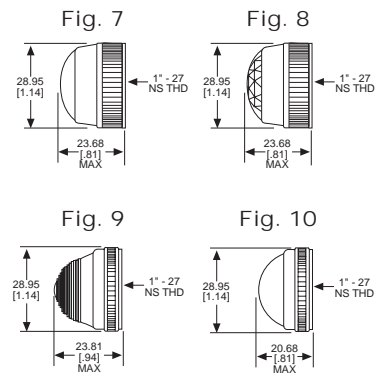
# 051 & 080 SERIES FOR 1" MOUNTING HOLE • WATERTIGHT

| BASE PART NO.   | VOLTAGE | FIG |
|-----------------|---------|-----|
| 080-0901-05-303 | 6-250   | 4   |
| 080-3101-05-303 | 6-250   | 5   |
| 080-4001-05-303 | 6-250   | 6   |



Uses:  
S-6  
CANDELABRA  
SCREW BASE  
INCANDESCENT  
LAMP

| CAP PART NO. | COLOR | FIG | CAP PART NO. | COLOR | FIG |
|--------------|-------|-----|--------------|-------|-----|
| 051-0111-303 | RED   | 7   | 080-0531-303 | RED   | 9   |
| 051-0112-303 | GREEN | 7   | 080-0532-303 | GREEN | 9   |
| 051-0113-303 | AMBER | 7   | 080-0533-303 | AMBER | 9   |
| 051-0135-303 | WHITE | 7   | 080-0535-303 | WHITE | 9   |
| 051-0137-303 | CLEAR | 7   | 080-0537-303 | CLEAR | 9   |
| 051-0431-303 | RED   | 8   | 080-1231-303 | RED   | 10  |
| 051-0432-303 | GREEN | 8   | 080-1232-303 | GREEN | 10  |
| 051-0433-303 | AMBER | 8   | 080-1233-303 | AMBER | 10  |
| 051-0435-303 | WHITE | 8   | 080-1235-303 | WHITE | 10  |
| 051-0437-303 | CLEAR | 8   | 080-1237-303 | CLEAR | 10  |

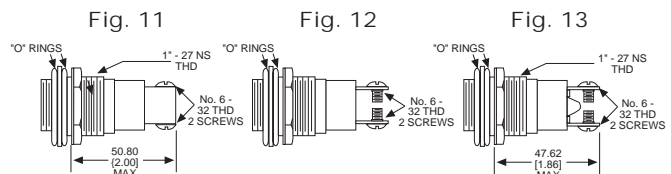


Material & Finish: Base - Chrome Plated Brass, Cap - Polycarbonate with Chrome Plated Brass Bezel

# 103 SERIES FOR 1" MOUNTING HOLE • OILTIGHT\*

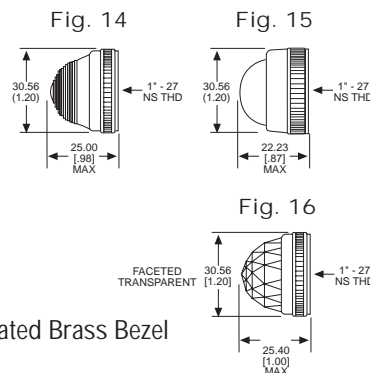
| BASE PART NO.    | VOLTAGE | FIG |
|------------------|---------|-----|
| 103-0901-05-103  | 6-250   | 11  |
| 103-3101-05-103  | 6-250   | 12  |
| 103-3502-05-103† | 24-250  | 13  |

† Takes S-6 Double Contact Bayonet Base Lamp



Uses:  
S-6  
CANDELABRA  
SCREW BASE  
INCANDESCENT  
LAMP

| CAP PART NO. | COLOR | FIG | CAP PART NO. | COLOR | FIG |
|--------------|-------|-----|--------------|-------|-----|
| 103-0531-403 | RED   | 14  | 103-1233-403 | AMBER | 15  |
| 103-0532-403 | GREEN | 14  | 103-1235-403 | WHITE | 15  |
| 103-0533-403 | AMBER | 14  | 103-1237-403 | CLEAR | 15  |
| 103-0535-403 | WHITE | 14  | 103-1331-403 | RED   | 16  |
| 103-0537-403 | CLEAR | 14  | 103-1332-403 | GREEN | 16  |
| 103-1231-403 | RED   | 15  | 103-1333-403 | AMBER | 16  |
| 103-1232-403 | GREEN | 15  | 103-1335-403 | WHITE | 16  |
|              |       |     | 103-1337-403 | CLEAR | 16  |



Material & Finish: Base - Nickel Plated Brass, Cap - Polycarbonate with Chrome Plated Brass Bezel

Neon and incandescent lamp information on Pages 35 and 36.

\* See Page 14 for Oiltight information

Dimensions in mm [inches]

