



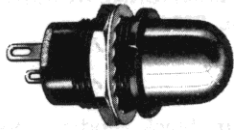
T-1 3/4
MIDGET
FLANGE BASE

See lamp ratings
on page J.

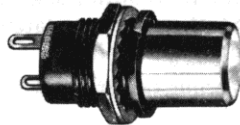
Incandescent Indicators

TWO TERMINALS—FULLY INSULATED
FOR MOUNTING IN 15/32" CLEARANCE HOLE

MEET OR EXCEED ENVIRONMENTAL AND OPERATIONAL REQUIREMENTS
OF MIL-L-6723 AND MIL-L-3661B



359-8430-0931-502
LH73/1; LC12RN2
Stovepipe



359-8430-1471-502
LH73/1; LC29RT2
Cylindrical

359 SERIES

Feature

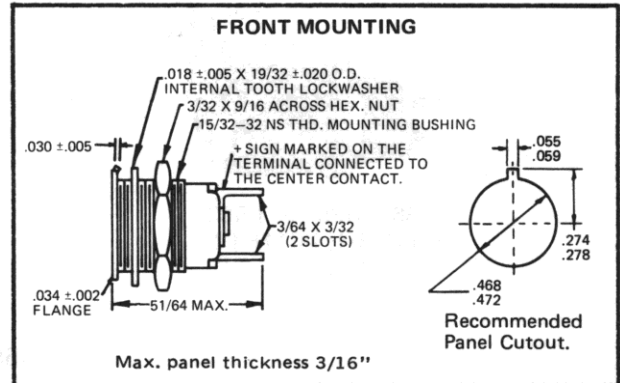
- Anti-rotation (locked) construction: Provides for secure locking of the socket terminal assembly in the mounting bushing and of the center terminal to the insulating disc. The notched mounting bushing receives the matched insulating disc to prevent the rotation of the mounting bushing.

MATERIALS AND FINISHES

- **Mounting bushing:** Aluminum, black anodize finish.
- **Internal-tooth Lockwasher and Mounting Nut:** Steel, cadmium plated with yellow iridescent chromate finish.
- **Terminals:** Brass, hot tinned with elongated slot.

Per MIL-L-3661B

QPL Listed



BASE PART NUMBERS

(LH73/1) 359-8430-09-502

CAP PART NUMBERS	TYPE DESIG.	PART NO.	LENS CAP COLOR	COMPLETE ASSEMBLY PART NUMBERS
	Stovepipe—Non—Diffusing			
	LC12RN2	162-0931	Red	359-8430-0931-502
	LC12GN2	162-0932	Green	359-8430-0932-502
	LC12YN2	162-0933	Yellow (Amber)	359-8430-0933-502
	LC12BN2	162-0934	Blue	359-8430-0934-502
	LC12CN2	162-0937	Clear (Colorless)	359-8430-0937-502
	Stovepipe—Translucent			
	LC12RT2	162-0971	Red	359-8430-0971-502
	LC12GT2	162-0972	Green	359-8430-0972-502
	LC12YT2	162-0973	Yellow (Amber)	359-8430-0973-502
LC12BT2	162-0974	Blue	359-8430-0974-502	
LC12WT2	162-0975	White	359-8430-0975-502	
<p>For legends on flat faced lens, see page P.</p>	Cylindrical—Non—Diffusing			
	LC29GN2	162-1431	Red	359-8430-1431-502
	LC29GN2	162-1432	Green	359-8430-1432-502
	LC29YN2	162-1433	Yellow (Amber)	359-8430-1433-502
	LC29BN2	162-1434	Blue	359-8430-1434-502
	LC29CN2	162-1437	Clear (Colorless)	359-8430-1437-502
	Cylindrical—Translucent			
	LC29RT2	162-1471	Red	359-8430-1471-502
	LC29GT2	162-1472	Green	359-8430-1472-502
	LC29YT2	162-1473	Yellow (Amber)	359-8430-1473-502
LC29BT2	162-1474	Blue	359-8430-1474-502	
LC29WT2	162-1475	White	359-8430-1475-502	

Part numbers shown in gray are normally in inventory at your Dialight Distributor.

Order complete with lamp to be assured of receiving the indicator light and correct lamp together for immediate use.