

Incandescent Indicators

TWO TERMINALS— FULLY INSULATED

FOR MOUNTING IN 15/32" CLEARANCE HOLE

MEET OR EXCEED ENVIRONMENTAL AND OPERATIONAL REQUIREMENTS OF MIL-L-6723 AND MIL-L-3661B.



T-1 3/4
MIDGET
FLANGE BASE
See lamp ratings
on page J.

MATERIALS AND FINISHES

- **Mounting Bushing:** Aluminum, black anodize finish.
- **Internal-tooth Lockwasher and Mounting Nut:** Steel, cadmium plated with yellow iridescent chromate finish.
- **Terminals:** Brass, hot tinned with elongated slot.

Feature

- **Anti-rotation (locked) construction:** Provides for secure locking of the socket terminal assembly in the mounting bushing and of the center terminal to the insulating disc. The notched mounting bushing receives the matched insulating disc to prevent the rotation of the mounting bushing.



360-8430-0371-502
LH73/1; LC11RT2
Flat Lens

Per MIL-L-3661B

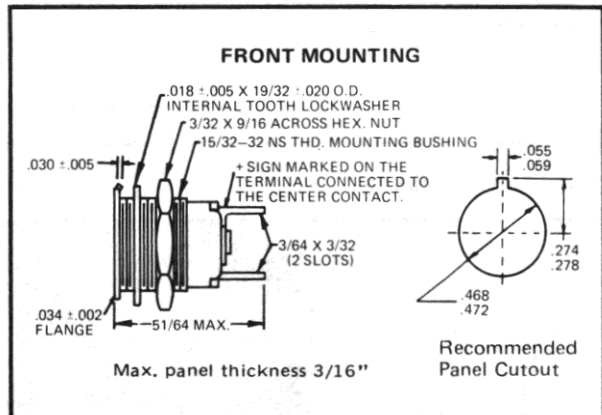
QPL Listed

360 SERIES

Colored Legends

Colored legends on black or gray lenses: Legends can also be furnished in "negative" or "reverse" style, in which the legend is illuminated in white or other color while the background remains opaque black or gray. To obtain opaque black lens change the "03" in the part number to "57", and to "58" to obtain opaque gray lens.

Examples: 178-5871-500 (gray lens cap)
360-8430-5871-502 (complete assembly).



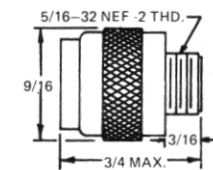
Max. panel thickness 3/16"

Recommended Panel Cutout

BASE PART NUMBERS

(LH73/1) 359-8430-09-502

CAP PART NUMBERS	TYPE DESIG.	PART NUMBER	LENS CAP COLOR	COMPLETE ASSEMBLY PART NUMBERS
Flat—Non-Diffusing				
	LC11RN2	178-0331-500	Red	360-8430-0331-502
	LC11GN2	178-0332-500	Green	360-8430-0332-502
	LC11YN2	178-0333-500	Yellow (amber)	360-8430-0333-502
	LC11BN2	178-0334-500	Blue	360-8430-0334-502
	LC11CN2	178-0337-500	Clear (colorless)	360-8430-0337-502
Flat—Translucent				
	LC11RT2	178-0371-500	Red	360-8430-0371-502
	LC11GT2	178-0372-500	Green	360-8430-0372-502
	LC11YT2	178-0373-500	Yellow (amber)	360-8430-0373-502
	LC11BT2	178-0374-500	Blue	360-8430-0374-502
	LC11WT2	178-0375-500	White	360-8430-0375-502



For legends on flat faced lens, see page P

Part numbers shown in gray are normally in inventory at your Dialight Distributor.

Order complete with lamp to be assured of receiving the indicator light and correct lamp together for immediate use.