



**Important notes about Classic Panel Mount Indicator Catalog Pages**

**SCROLL DOWN TO VIEW CATALOG PAGE**

This catalog page is out-of-print and is used with the understanding that the information shown could be out-of-date. In many cases, part numbers shown on this page are discontinued. Most notably, many “Complete Assembly” parts, which consist of a cap and a base, can no longer be ordered by the 14-digit ordering code. To obtain these parts, please order the cap and base part numbers separately. This process provides the components contained with the original “Complete Assembly” part number.

All Dialight Classic Panel Mount Indicators need a leading 3-digit numerical series. In some cases, this catalog will show a 2-digit series. In this case, please add a leading zero. For example, 81-0211-300 becomes 081-0211-300.

Part numbers listed on Dialight catalog pages designate parts with Red lenses. For ordering lens colors other than red, consult the chart below. In most cases, the color is dictated by the 7<sup>th</sup> digit. For example, 095-0932-003 for a green cap.

Lens Colors	
1 - Red	5 - White
2 - Green	6 - Light Yellow
3 - Yellow	7 - Clear
4 - Blue	

[Click here for a cross reference guide to assembly part numbers.](#)

[Click here to view Frequently Asked Questions concerning Panel Mount Indicators.](#)

**SCROLL DOWN TO VIEW CATALOG PAGE**

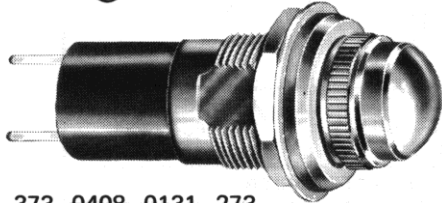
# Miniature Neon Indicators WITH BUILT-IN RESISTOR FOR MOUNTING IN 11/16" CLEARANCE HOLE



T-3 1/4  
B1A (NE-51)  
B2A (NE-51H)  
MINIATURE BAYONET BASE  
See lamp ratings  
on page L.

For materials and finishes of  
products in this group, see page 9D.

PER MIL-L-3661B



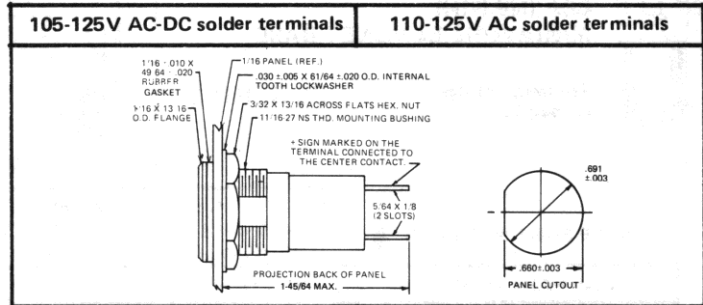
**373 SERIES  
375 SERIES  
376 SERIES**

373-0408-0131-273

Convex lens

BASE PART NUMBERS

## WITH SCREW-IN LENS CAPS

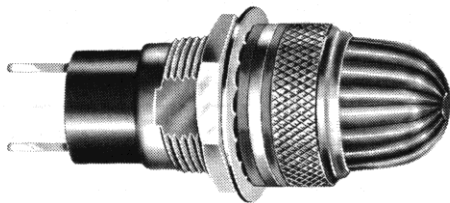


LH76/1 373-0408-01-273

LH76/2 373-0463-01-223

CAP PART NUMBERS	COMPLETE ASSEMBLY PART NUMBERS	
<p>LC14 81-0131-203 convex, transparent</p>	373-0408-0131-273	373-0463-0131-223
<p>LC17 203-0131-203 convex, mech. dimmer complete blackout</p>	375-0408-0131-273	375-0463-0131-223
<p>LC18 204-0131-203 convex, mech. dimmer semi-blackout</p>	376-0408-0131-273	376-0463-0131-223

## WITH SCREW-ON LENS CAPS

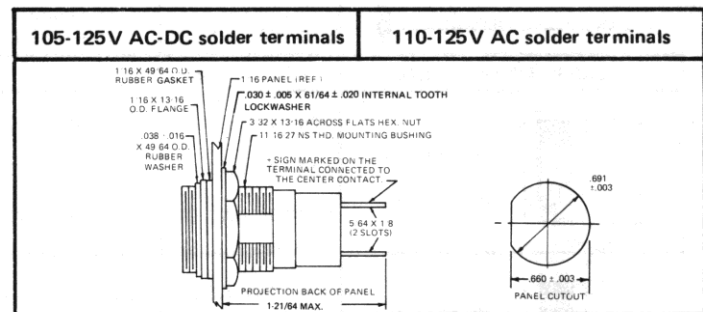


377-0463-1191-223

Stovepipe lens

**377 SERIES**

BASE PART NUMBERS



LH77/1 377-0408-11-273

LH77/2 377-0463-11-223

CAP PART NUMBERS	COMPLETE ASSEMBLY PART NUMBERS	
<p>LC19 169-1131-203 stovepipe, transparent</p>	377-0408-1131-273	377-0463-1131-223
<p>LC20 169-1191-203 stovepipe internal fluting</p>	377-0408-1191-273	377-0463-1191-223

Part numbers shown in gray are normally  
in inventory at your Dialight Distributor.

Order complete with lamp to be assured of receiving the  
indicator light and correct lamp together for immediate use.