

Dialight

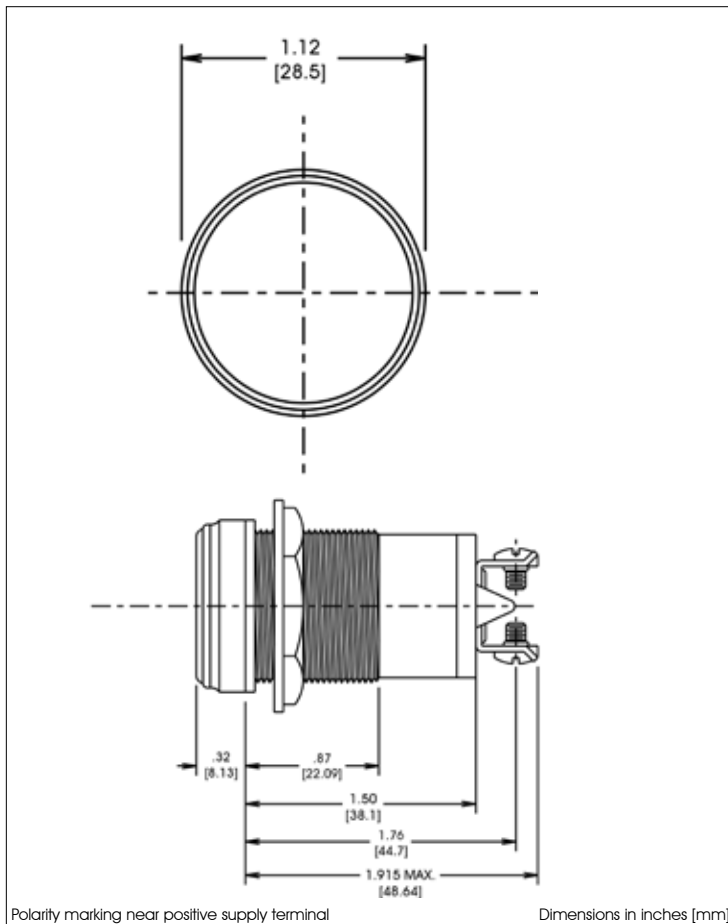


556 Series Day Light Viewable Panel Mount Indicators

Application:

The 556 Series LED Panel Mount Indicators incorporate both InGaN and AlInGaP technologies to offer maximum light output. This is a highly durable package, designed to withstand outdoor applications susceptible to rain, dust and sunlight.

- Instrument panels
- Safety applications
- UL 508 panel applications
- Agricultural controls
- Power Generators
- Environmental Monitoring Equipment
- Ground support vehicles
- Pump system controllers
- Transportation - rail, bus, airline
- Lane control
- Display lighting
- ...and many more!



Mechanical Information

Mounting Hole Size:	1" (25.4 mm)
Max Panel Thickness:	.600" (15.24 mm)
Mounting Torque:	40 in-lbs torque

Electrical specifications

Operating Voltage:	12 to 125VDC and 125, 230VAC
Operating Temp:	-30°C to +85°C
Storage Temp:	-40°C to +100°C
Electrical connection	6-32 Screw Terminals

Construction

Housing:	Nickel Plated Brass
Lens Material:	Clear UV Stabilized Polycarbonate (UL 94V-0)
Terminals:	Brass – Hot solder dip per Mil-F-14072D, M258, Type II
Lock washer:	Phosphor Bronze – White Nickel Plated
Nut:	Brass – White Nickel Plated

Certifications & Ratings

- UL1598
- NEMA 4x IP66
- RoHS Compliant
- IK07

Features and Benefits

- Daylight viewable – Clear lens to prevent phantom light effect
- Tamperproof / Designed for high durability
- Long life, lasting up to 100k hours
- Uniform illumination - multi-LED construction
- Low profile flat lens: Non-tinted, non-diffused
- Available in red, yellow, green, blue, orange, and cyan



556 Series

Day Light Viewable • Panel Mount Indicators

Part Number	Color	Voltage	Voltage Type	Current (MA)	Typical Intensity (FL)
556-1503-314F	Red	12	VDC	95	3000
556-1603-314F	Green	12	VDC	60	4000
556-1683-314F	Cyan	12	VDC	60	4000
556-1703-314F	Yellow	12	VDC	95	3000
556-1803-314F	Blue	12	VDC	60	1200
556-1903-314F	Orange	12	VDC	95	3000
556-1504-314F	Red	24	VDC	46	3000
556-1604-314F	Green	24	VDC	32	4000
556-1684-314F	Cyan	24	VDC	32	4000
556-1704-314F	Yellow	24	VDC	46	3000
556-1804-314F	Blue	24	VDC	32	1200
556-1904-314F	Orange	24	VDC	46	1200
556-1508-314F	Red	37.5	VDC	20	2600
556-1608-314F	Green	37.5	VDC	16	4000
556-1708-314F	Yellow	37.5	VDC	20	2600
556-1506-314F	Red	72	VDC	18.5	1800
556-1606-314F	Green	72	VDC	16	1800
556-1706-314F	Yellow	72	VDC	20	1000
556-1507-314F	Red	125	VDC	10	700
556-1607-314F	Green	125	VDC	10	1000
556-1707-314F	Yellow	125	VDC	10	700
556-1505-314F	Red	125	VAC	10.5	1200
556-1605-314F	Green	125	VAC	9.5	1800
556-1685-314F	Cyan	125	VAC	9.5	1800
556-1705-314F	Yellow	125	VAC	10.5	1200
556-1805-314F	Blue	125	VAC	9.5	500
556-1905-314F	Orange	125	VAC	10.5	500
556-1509-314F	Red	230	VAC	7	1200
556-1609-314F	Green	230	VAC	7	1800
556-1709-314F	Yellow	230	VAC	7	1200
556-1809-314F	Blue	230	VAC	7	500
556-1909-314F	Orange	230	VAC	7	1800

Dialight reserves the right to make changes at any time in order to supply the best product possible. The most current version of this document will always be available at: www.dialight.com/Assets/Brochures_And_Catalogs/Illumination/MDEL556CR.pdf. Warranty Statement: EXCEPT FOR THE WARRANTY EXPRESSLY PROVIDED FOR [HEREIN/ABOVE/BELOW], DIALIGHT DISCLAIMS ANY AND ALL OTHER WARRANTIES, EXPRESS OR IMPLIED, INCLUDING, WITHOUT LIMITATION, ANY WARRANTIES OF MERCHANTABILITY, FITNESS FOR A PARTICULAR PURPOSE, TITLE, AND NON-INFRINGEMENT.