



Important notes about Classic Panel Mount Indicator Catalog Pages

SCROLL DOWN TO VIEW CATALOG PAGE

This catalog page is out-of-print and is used with the understanding that the information shown could be out-of-date. In many cases, part numbers shown on this page are discontinued. Most notably, many "Complete Assembly" parts, which consist of a cap and a base, can no longer be ordered by the 14-digit ordering code. To obtain these parts, please order the cap and base part numbers separately. This process provides the components contained with the original "Complete Assembly" part number.

All Dialight Classic Panel Mount Indicators need a leading 3-digit numerical series. In some cases, this catalog will show a 2-digit series. In this case, please add a leading zero. For example, 81-0211-300 becomes 081-0211-300.

Part numbers listed on Dialight catalog pages designate parts with Red lenses. For ordering lens colors other than red, consult the chart below. In most cases, the color is dictated by the 7th digit. For example, 095-0932-003 for a green cap.

Lens Colors	
1 - Red	5 - White
2 - Green	6 - Light Yellow
3 - Yellow	7 - Clear
4 - Blue	

[Click here for a cross reference guide to assembly part numbers.](#)

[Click here to view Frequently Asked Questions concerning Panel Mount Indicators.](#)

SCROLL DOWN TO VIEW CATALOG PAGE

PRESS-TO-TEST INDICATORS

MEET OR EXCEED REQUIREMENTS OF
MIL-L-7961B and MIL-L-3661

QPL APPROVAL: The products indicated have received
Department of Defense certification and are listed as QPL approved.

PROVIDE POSITIVE SAFETY FACTORS



Positive safety factors are provided by patented built-in Press-To-Test indicators. Lamps can be checked instantly without removing them from their assembly.

A slight pressure on the lens holder of the assembly breaks the normal circuit and makes a test circuit, informing the operator as follows:

1. If the lamp LIGHTS when pressed in, it is proven satisfactory.
2. If the lamp FAILS TO LIGHT when pressed in, it is defective and must be replaced from the front of the panel.

Release of finger pressure restores the lens holder to operating position.

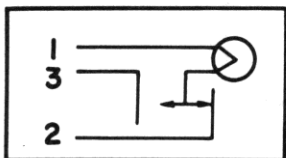
Press-To-Switch (4 terminal assemblies) are available with all indicators in this catalog. They are useful for remote control applications, as they permit closing the circuit to any local or remote device.

Typical Press-To-Test (3 terminal) and Press-To-Switch (4 terminal) circuit drawings are illustrated below.

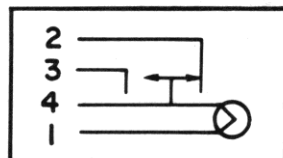
Sub-Miniature, Miniature and Large Press-To-Test Indicators are available for mounting in 15/32", 5/8" and 1" clearance holes respectively. Only typical incandescent assemblies are listed in this catalog. Data on other Press-To-Test assemblies will be furnished on request.

Hot-stamped or engraved legends can be supplied on flat lenses only. Additional information will be furnished on request.

Typical
3 Terminal
Press-To-Test
Circuit



Typical
4 Terminal
Press-To-Switch
Circuit



PATENTED SHUTTER DIMMING ACTION



Shutters open
Maximum full direct
light beam



Shutters adjusted
Adjustable direct
light beam



Shutters closed
Minimum indirect
"halo" light

The patented shutter-dimming device is available on most Press-To-Test indicators. By turning the knurled cap, the individual operator can regulate the brilliancy of the light from the indicator to suit his needs under varying light conditions.

Standard dimmer action is clockwise. Assemblies with counter-clockwise dimming action are available on special order.

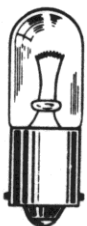
LENS COLORS

1-Red	5-White translucent
2-Green	6-Light yellow
3-Yellow (amber)	7-Clear colorless
4-Blue	

The digit before the last dash in the part number designates the lens color. When color other than RED is desired, change this digit to a figure noted above. Example: 812-1030-0972-506 (green)

Miniature Incandescent PRESS-TO-TEST Indicators

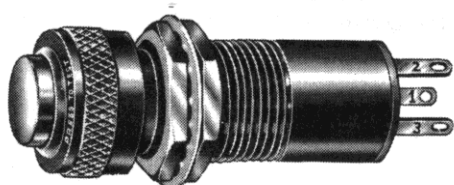
MILITARY STANDARD DRAWING MS25331 - 1 to 8



T-3/4 bulb
with miniature
bayonet base.

See lamp ratings
on page K.

For back of panel mounting in 5/8" clearance hole
Meet or exceed requirements of MIL-L-7961B and MIL-L-3661



803-1710-0331-504
Non-Dimming

803 SERIES
804 SERIES
806 SERIES
810 SERIES
811 SERIES

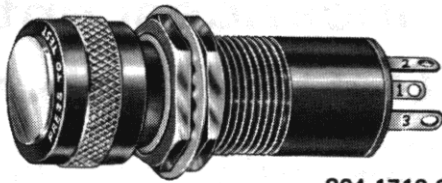
MATERIALS AND FINISHES

- **Mounting Bushing and Lens Holder:** Aluminum, black anodize finish.
- **Mounting and Flange Nuts:** Aluminum, black anodize finish.
- **Internal-tooth Lockwasher:** Steel, cadmium plated with yellow iridescent chromate finish.
- **Terminals:** Brass, hot tinned with elongated slot.

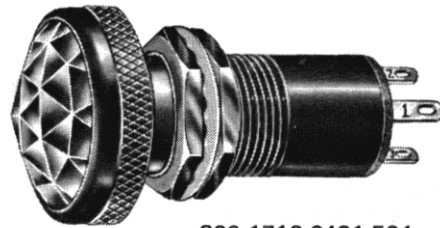
Lens cap assembly marking: "Dim" with an arrow is die-stamped and filled on all dimmer lens cap assemblies. "Press-To-Test" marking is die-stamped and filled on all lens cap assemblies used with 3 terminal units only.

BASE PART NUMBERS

Cap type	Transparent lens color	CAP PART NUMBERS for use with	
		3 terminal assemblies	4 terminal assemblies
<p>mechanical shutter semi-blackout dimming</p> <p>804 series 811 series</p>	<p>Clear (Colorless) Red Green Yellow (Amber) Blue</p>	<p>804-0337-500 804-0331-500 804-0332-500 804-0333-500 804-0334-500</p>	<p>811-0337-500 811-0331-500 811-0332-500 811-0333-500 811-0334-500</p>
<p>non-dimming</p> <p>803 series 810 series</p>	<p>Clear (Colorless) Red Green Yellow (Amber) Blue</p>	<p>803-0337-500 803-0331-500 803-0332-500 803-0333-500 803-0334-500</p>	<p>810-0337-500 810-0331-500 810-0332-500 810-0333-500 810-0334-500</p>
<p>non-dimming with large faceted lens</p>	<p>Clear (Colorless) Red Green Yellow (Amber) Blue White</p>	<p>806-0437-500 806-0431-500 806-0432-500 806-0433-500 806-0434-500 806-0435-500</p>	<p>806-0437-500 806-0431-500 806-0432-500 806-0433-500 806-0434-500 806-0435-500</p>

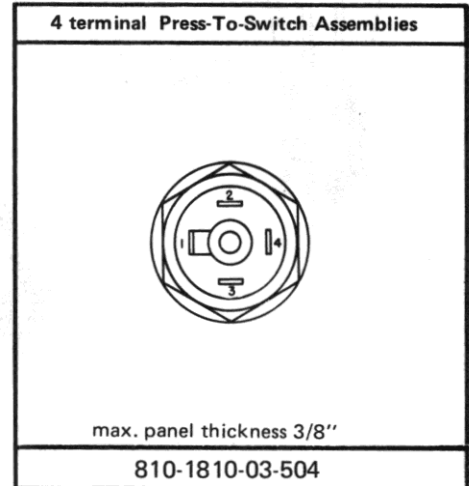
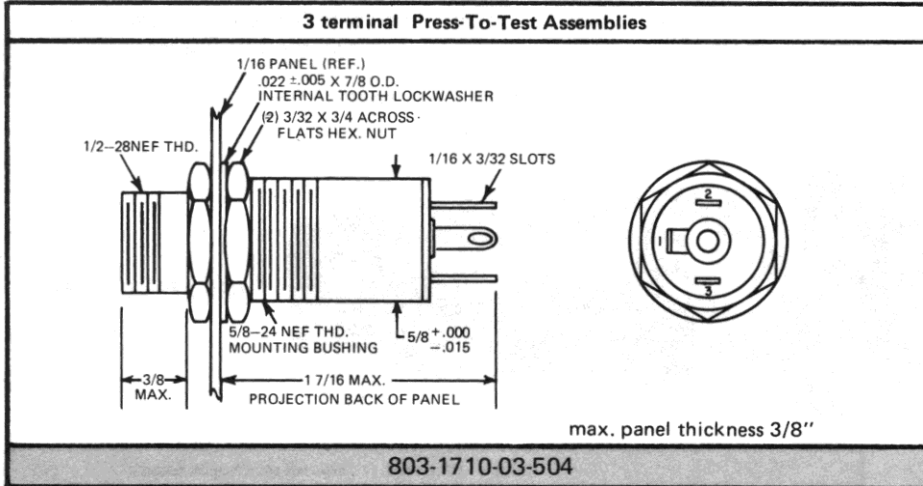


804-1710-0331-504
Dimming



806-1710-0431-504
Non-Dimming

QPL LISTED



COMPLETE ASSEMBLY PART NUMBERS

Part number	MS number
804-1710-0337-504	MS25331-1
804-1710-0331-504	MS25331-2
804-1710-0332-504	MS25331-3
804-1710-0333-504	MS25331-4
804-1710-0334-504	
803-1710-0337-504	MS25331-5
803-1710-0331-504	MS25331-6
803-1710-0332-504	MS25331-7
803-1710-0333-504	MS25331-8
803-1710-0334-504	

Part number
811-1810-0337-504
811-1810-0331-504
811-1810-0332-504
811-1810-0333-504
811-1810-0334-504
810-1810-0337-504
810-1810-0331-504
810-1810-0332-504
810-1810-0333-504
810-1810-0334-504

806-1710-0437-504	—
806-1710-0431-504	—
806-1710-0432-504	—
806-1710-0433-504	—
806-1710-0434-504	—
806-1710-0435-504	—

806-1810-0437-504
806-1810-0431-504
806-1810-0432-504
806-1810-0433-504
806-1810-0434-504
806-1810-0435-504

Part numbers shown in gray are normally in inventory at your Dialight Distributor.

Order complete with lamp to be assured of receiving the indicator light and correct lamp together for immediate use.

PRESS-TO-TEST INDICATORS

MEET OR EXCEED REQUIREMENTS OF
MIL-L-7961B and MIL-L-3661

QPL APPROVAL: The products indicated have received
Department of Defense certification and are listed as QPL approved.

PROVIDE POSITIVE SAFETY FACTORS



Positive safety factors are provided by patented built-in Press-To-Test indicators. Lamps can be checked instantly without removing them from their assembly.

A slight pressure on the lens holder of the assembly breaks the normal circuit and makes a test circuit, informing the operator as follows:

1. If the lamp LIGHTS when pressed in, it is proven satisfactory.
2. If the lamp FAILS TO LIGHT when pressed in, it is defective and must be replaced from the front of the panel.

Release of finger pressure restores the lens holder to operating position.

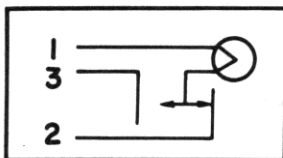
Press-To-Switch (4 terminal assemblies) are available with all indicators in this catalog. They are useful for remote control applications, as they permit closing the circuit to any local or remote device.

Typical Press-To-Test (3 terminal) and Press-To-Switch (4 terminal) circuit drawings are illustrated below.

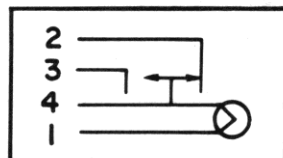
Sub-Miniature, Miniature and Large Press-To-Test Indicators are available for mounting in 15/32", 5/8" and 1" clearance holes respectively. Only typical incandescent assemblies are listed in this catalog. Data on other Press-To-Test assemblies will be furnished on request.

Hot-stamped or engraved legends can be supplied on flat lenses only. Additional information will be furnished on request.

Typical
3 Terminal
Press-To-Test
Circuit



Typical
4 Terminal
Press-To-Switch
Circuit



PATENTED SHUTTER DIMMING ACTION



Shutters open
Maximum full direct
light beam



Shutters adjusted
Adjustable direct
light beam



Shutters closed
Minimum indirect
"halo" light

The patented shutter-dimming device is available on most Press-To-Test indicators. By turning the knurled cap, the individual operator can regulate the brilliancy of the light from the indicator to suit his needs under varying light conditions.

Standard dimmer action is clockwise. Assemblies with counter-clockwise dimming action are available on special order.

LENS COLORS

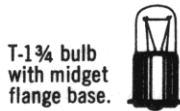
1-Red	5-White translucent
2-Green	6-Light yellow
3-Yellow (amber)	7-Clear colorless
4-Blue	

The digit before the last dash in the part number designates the lens color. When color other than RED is desired, change this digit to a figure noted above. Example: 812-1030-0972-506 (green)

Sub-Miniature Incandescent PRESS-TO-TEST Indicators

MILITARY STANDARD DRAWING MS25041 – 1 to 11

For back of panel mounting in 15/32" clearance hole
Meet or exceed requirements of MIL-L-7961B and MIL-L-3661



See lamp ratings
on page J.

800 SERIES
801 SERIES
808 SERIES
809 SERIES

MATERIALS AND FINISHES

- **Mounting Bushing and Lens Holder:** Aluminum, black anodize finish.
- **Mounting and Flange Nuts:** Aluminum, black anodize finish.
- **Internal-tooth Lockwasher:** Phosphor bronze, white nickel finish.
- **Terminals:** Brass, hot tinned with elongated slot.

Lens cap assembly marking: "Dim" with an arrow is die-stamped and filled on all Dimmer lens cap assemblies. "Press-To-Test" marking is die-stamped and filled on all lens cap assemblies used with 3 terminal units only.

BASE PART NUMBERS

Cap type	Transparent lens color	CAP PART NUMBERS for use with	
		3 terminal assemblies	4 terminal assemblies
<p>mechanical shutter semi-blackout dimming</p> <p>801 series</p> <p>809 series</p>	Clear (Colorless)	801-0337-500	809-0337-500
	Red	801-0331-500	809-0331-500
	Green	801-0332-500	809-0332-500
	Yellow (Amber)	801-0333-500	809-0333-500
	Blue	801-0334-500	809-0334-500
<p>non-dimming</p> <p>800 series</p> <p>808 series</p>	Clear (Colorless)	800-0337-500	808-0337-500
	Red	800-0331-500	808-0331-500
	Green	800-0332-500	808-0332-500
	Yellow (Amber)	800-0333-500	808-0333-500
	Blue	800-0334-500	808-0334-500



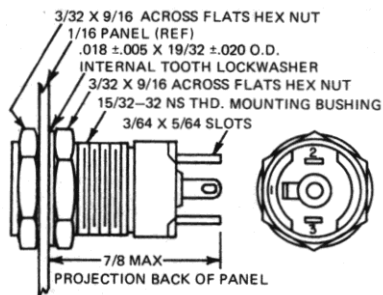
801-1030-0331-504
Dimming



800-1030-0331-504
Non-Dimming

QPL LISTED

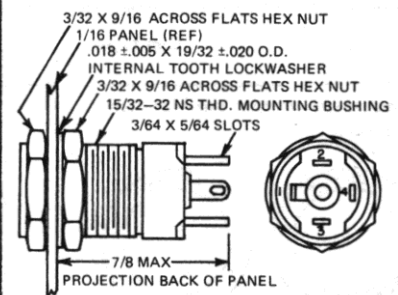
3 Terminal Press-To-Test Assemblies



max. panel thickness 5/16"

800-1030-03-504

4 Terminal Press-To-Switch Assemblies



max. panel thickness 5/16"

808-1130-03-504

COMPLETE ASSEMBLY PART NUMBERS

Part number	MS number
801-1030-0337-504	MS25041-1
801-1030-0331-504	MS25041-2
801-1030-0332-504	MS25041-3
801-1030-0333-504	MS25041-4
801-1030-0334-504	MS25041-10
800-1030-0337-504	MS25041-5
800-1030-0331-504	MS25041-6
800-1030-0332-504	MS25041-7
800-1030-0333-504	MS25041-8
800-1030-0334-504	MS25041-11

Part number
809-1130-0337-504
809-1130-0331-504
809-1130-0332-504
809-1130-0333-504
809-1130-0334-504
808-1130-0337-504
808-1130-0331-504
808-1130-0332-504
808-1130-0333-504
808-1130-0334-504

Part numbers shown in gray are normally in inventory at your Dialight Distributor.

Order complete with lamp to be assured of receiving the indicator light and correct lamp together for immediate use.