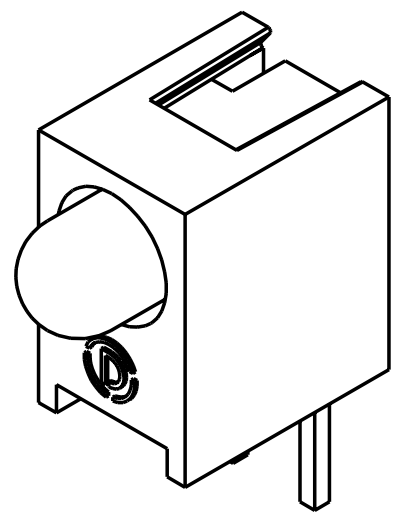
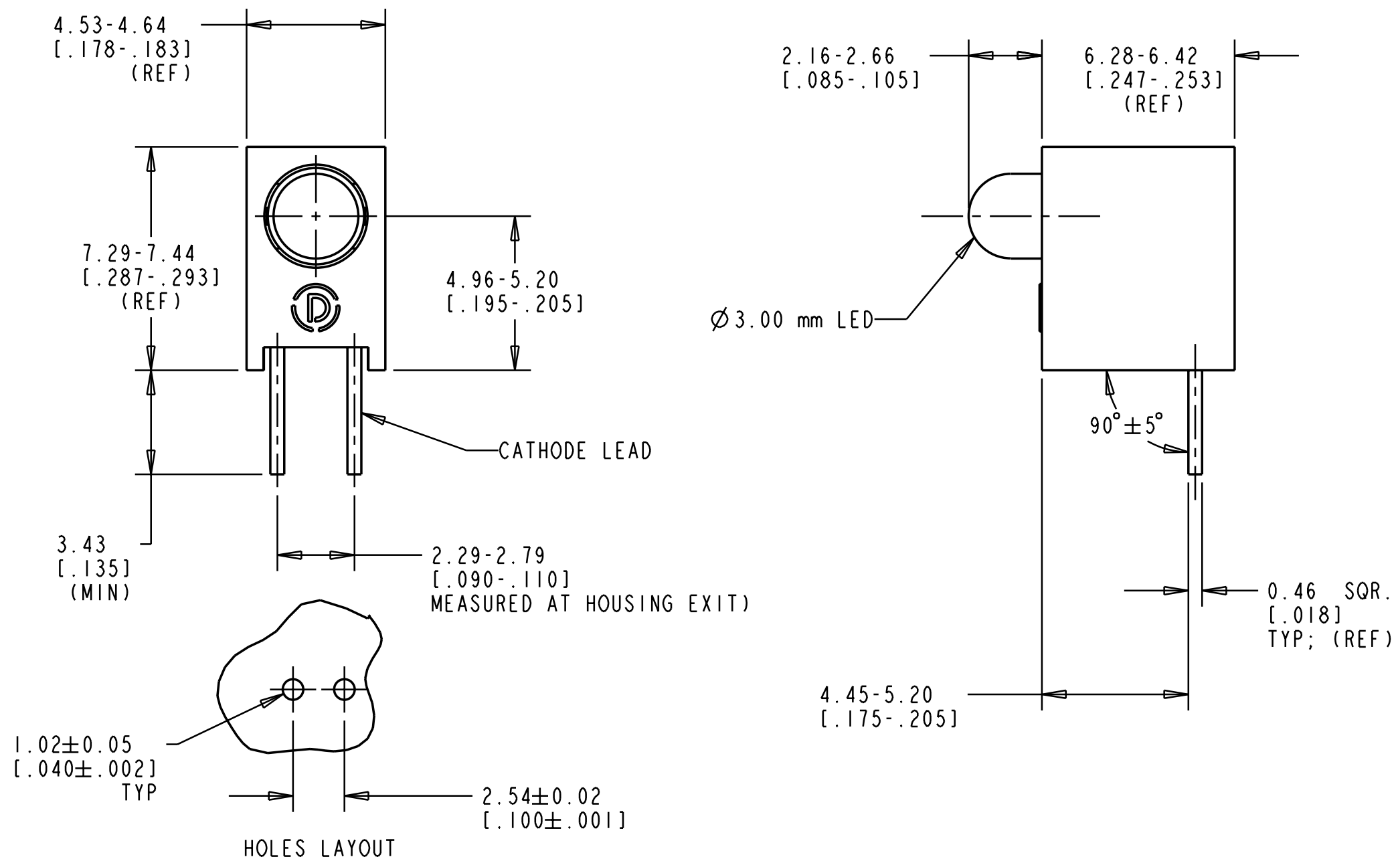


DIALIGHT PART NUMBER	OPERATING CHARACTERISTICS @ T _a = 25°C									MAXIMUM RATINGS					
	COLOR	VIEWING ANGLE	FORWARD VOLTAGE (V)		REVERSE VOLTAGE	PEAK WAVELENGTH (nm)	LUMINOUS INTENSITY (mcd)		TEST CONDITIONS	LINEAR DERATION	D.C. FORWARD CURRENT (mA)	OPERATING TEMPERATURE	STORAGE TEMPERATURE	LEAD SOLDERING TEMPERATURE	
			TYP	MAX			MIN	TYP							
HLMP-1300-101	RED	60°	1.9	2.4	5 V @ I _R = 100 μA	635	8.6	13.8	I _F = 10 mA	0.5 mA/°C (FROM 50°C)	30	-55°C TO 100°C	-55°C TO 100°C	260°C FOR 5 SEC	
HLMP-1301-101	RED	60°	1.9	2.4	5 V @ I _R = 100 μA	635	8.6	13.8	I _F = 10 mA	0.5 mA/°C (FROM 50°C)	30	-55°C TO 100°C	-55°C TO 100°C		
HLMP-1302-101	RED	60°	1.9	2.4	5 V @ I _R = 100 μA	635	8.6	13.8	I _F = 10 mA	0.5 mA/°C (FROM 50°C)	30	-55°C TO 100°C	-55°C TO 100°C		
HLMP-1321-101	RED	45°	2.2	3.0	5 V @ I _R = 100 μA	635	8.6	12.0	I _F = 10 mA	1.8 mW/°C (FROM 25°C)	30	-55°C TO 100°C	-55°C TO 100°C		
HLMP-1340-101	RED	45°	1.9	2.6	5 V @ I _R = 100 μA	635	35	45	I _F = 20 mA	—	30	-55°C TO 100°C	-55°C TO 100°C		
HLMP-1385-101	RED	60°	2.2	3.0	5 V @ I _R = 100 μA	635	6.0	10.0	I _F = 10 mA	1.8 mW/°C (FROM 25°C)	30	-55°C TO 100°C	-55°C TO 100°C		
HLMP-1401-101	YELLOW	60°	2.0	2.4	5 V @ I _R = 100 μA	583	3.6	7.0	I _F = 10 mA	0.2 mA/°C (FROM 50°C)	20	-55°C TO 100°C	-55°C TO 100°C		
HLMP-1402-101	YELLOW	60°	2.0	2.4	5 V @ I _R = 100 μA	583	3.6	7.0	I _F = 10 mA	0.2 mA/°C (FROM 50°C)	20	-55°C TO 100°C	-55°C TO 100°C		
HLMP-1420-101	YELLOW	60°	2.0	2.4	5 V @ I _R = 100 μA	583	3.6	7.0	I _F = 10 mA	0.2 mA/°C (FROM 50°C)	20	-55°C TO 100°C	-55°C TO 100°C		
HLMP-1421-101	YELLOW	45°	2.2	3.0	5 V @ I _R = 100 μA	583	6.0	12.0	I _F = 10 mA	1.6 mW/°C (FROM 50°C)	20	-55°C TO 100°C	-55°C TO 100°C		
HLMP-1440-101	YELLOW	45°	2.1	2.6	5 V @ I _R = 100 μA	583	35	45	I _F = 20 mA	—	20	-55°C TO 100°C	-55°C TO 100°C		
HLMP-1485-101	YELLOW	60°	2.2	3.0	5 V @ I _R = 100 μA	583	6.0	10.0	I _F = 10 mA	1.6 mW/°C (FROM 50°C)	20	-55°C TO 100°C	-55°C TO 100°C		
HLMP-1503-101	GREEN	60°	2.1	2.7	5 V @ I _R = 100 μA	565	2.6	7.0	I _F = 10 mA	0.5 mA/°C (FROM 50°C)	30	-20°C TO 100°C	-55°C TO 100°C		
HLMP-1520-101	GREEN	60°	2.1	2.7	5 V @ I _R = 100 μA	565	2.6	7.0	I _F = 10 mA	0.5 mA/°C (FROM 50°C)	30	-20°C TO 100°C	-55°C TO 100°C		
HLMP-1521-101	GREEN	45°	2.3	3.0	5 V @ I _R = 100 μA	565	4.2	12.0	I _F = 10 mA	1.8 mW/°C (FROM 25°C)	30	-20°C TO 100°C	-55°C TO 100°C		
HLMP-1523-101	GREEN	60°	2.1	2.7	5 V @ I _R = 100 μA	565	2.6	7.0	I _F = 10 mA	0.5 mA/°C (FROM 50°C)	30	-20°C TO 100°C	-55°C TO 100°C		
HLMP-1540-101	GREEN	45°	2.2	3.0	5 V @ I _R = 100 μA	565	35	45	I _F = 20 mA	—	30	-20°C TO 100°C	-55°C TO 100°C		
HLMP-1585-101	GREEN	60°	2.3	3.0	5 V @ I _R = 100 μA	565	4.0	8.5	I _F = 10 mA	1.8 mW/°C (FROM 25°C)	25	-20°C TO 100°C	-55°C TO 100°C		
			FORWARD CURRENT (mA)												
			TYP	MAX						D.C. FORWARD VOLTAGE (V)					
HLMP-1600-101	RED, 5 V	60°	10	15	5 V @ I _R = 100 μA	635	1.5	4.0	V _F = 5 V	0.071 V/°C (FROM 50°C)	7.5	-40°C TO 85°C	-55°C TO 100°C		
HLMP-1620-101	YELLOW, 5 V	60°	10	15	5 V @ I _R = 100 μA	583	2.0	8.0	V _F = 5 V	—	7.5	-40°C TO 85°C	-55°C TO 100°C		
HLMP-1640-101	GREEN, 5 V	60°	12	15	5 V @ I _R = 100 μA	565	2.0	8.0	V _F = 5 V	—	7.5	-20°C TO 85°C	-55°C TO 100°C		
			FORWARD VOLTAGE (V)												
			TYP	MAX						D.C. FORWARD CURRENT (mA)					
HLMP-1700-101	RED, 2 mA	50°	1.8	2.2	5 V @ I _R = 50 μA	635	1.0	1.8	I _F = 2 mA	—	7	-55°C TO 100°C	-55°C TO 100°C		
HLMP-1719-101	YELLOW, 2 mA	50°	1.9	2.7	5 V @ I _R = 50 μA	583	1.0	1.6	I _F = 2 mA	—	7	-55°C TO 100°C	-55°C TO 100°C		
HLMP-1790-101	GREEN, 2 mA	50°	1.8	2.2	5 V @ I _R = 50 μA	565	1.0	1.6	I _F = 2 mA	—	7	-20°C TO 100°C	-55°C TO 100°C		
HLMP-K150-101	AlGaAs RED	60°	1.6	1.8	5 V @ I _R = 100 μA	645	1.3	2.0	I _F = 1 mA	—	30	-20°C TO 100°C	-55°C TO 100°C		
HLMP-K101-101	AlGaAs RED	60°	1.8	2.2	5 V @ I _R = 100 μA	645	22	45	I _F = 20 mA	—	30	-20°C TO 100°C	-55°C TO 100°C		



REV.	ECN NO.	REVISIONS	DRN.	CKD.	APP.	DATE
A	—	NEW RELEASE	M.C.			

DIMENSIONS:
mm
[inches]

THIS DRAWING AND THE CONTENTS HEREIN ARE CONFIDENTIAL AND THE SOLE PROPERTY OF DIALIGHT. REPRODUCTION OF THIS DRAWING OR CONSTRUCTION OF ANY PARTS WITHIN THIS DRAWING ARE FORBIDDEN WITHOUT THE WRITTEN CONSENT OF DIALIGHT.		
SCALE 4:1	DRAWING NUMBER	REV
ALL DIM'S IN: INCHES	C-16478	A
TOLERANCES: UNLESS OTHERWISE SPECIFIED	TITLE	
FRACTIONS: ±1/64	∅ 3.00 mm CBI ARRAY	
DECIMALS (.XX): ±.01	MATERIAL	
DECIMALS (.XXX): ±.005	Dialight	
DECIMALS (.XXXX): ±.0005	1913 ATLANTIC AVE.	
ANGLES: ±1°	MANASQUAN, N.J. 08736	
FINISH:	SHEET	OF
FSCM 83330	FAMILY TABLES:	