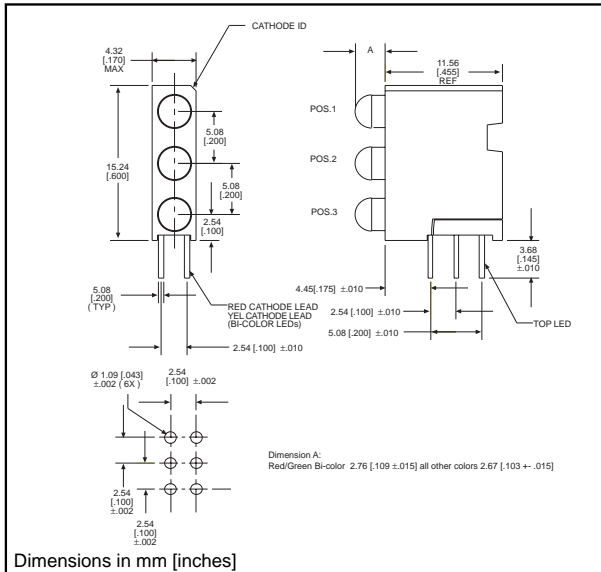


# 3mm LED CBI® Circuit Board Indicator Tri-Level

# Dialight

## 564-0x00-xxx



### Features

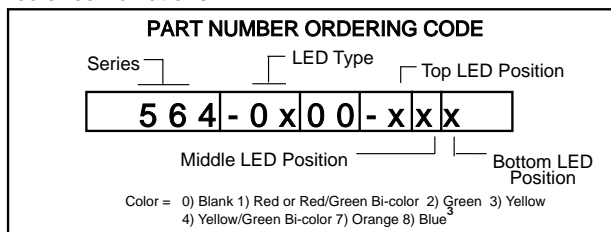
- Multiple CBIs form horizontal LED arrays on 4.45mm (0.175") center-lines.
- High Contrast, UL 94 V-0 rated, black housing
- Oxygen index: 29%
- Polymer content: PBT, 0.078 g
- Housing stand-offs facilitate PCB cleaning
- Solderability per MIL-STD-202F, method 208F
- LEDs are safe for direct viewing per IEC 825-1, EN-60825-1

### Tolerance note: As noted, otherwise:

- LED Protrusion:  $\pm 0.04$  mm [ $\pm 0.016$ ]
- CBI Housing:  $\pm 0.02$ mm [ $\pm 0.008$ ]

### Custom Combinations

- Contact factory for information on custom color combinations



### PART NO.

### COLOR\*

#### HIGH EFFICIENCY - LED TYPE 01

- |              |                      |
|--------------|----------------------|
| 564-0100-111 | Red-Red-Red          |
| 564-0100-132 | Red-Yellow-Green     |
| 564-0100-222 | Green-Green-Green    |
| 564-0100-777 | Orange-Orange-Orange |
| 564-0100-999 | Blue-Blue-Blue       |



#### LOW CURRENT - LED TYPE 02

- |              |                   |
|--------------|-------------------|
| 564-0200-111 | Red-Red-Red       |
| 564-0200-132 | Red-Yellow-Green  |
| 564-0200-222 | Green-Green-Green |

#### INTEGRAL RESISTOR, 5 VOLTS - LED TYPE 03

- |              |                   |
|--------------|-------------------|
| 564-0300-111 | Red-Red-Red       |
| 564-0300-132 | Red-Yellow-Green  |
| 564-0300-222 | Green-Green-Green |

#### BI-COLOR - LED TYPE 07

- |              |  |
|--------------|--|
| 564-0700-111 | Red/Green-Red/Green-Red/Green          |
| 564-0700-444 | Yellow/Green-Yellow/Green-Yellow/Green |

\* Top-Middle-Bottom LED

4



**ATTENTION**  
OBSERVE PRECAUTIONS  
FOR HANDLING  
ELECTROSTATIC  
SENSITIVE  
DEVICES

## Typical Operating Characteristics ( $T_A=25^{\circ}\text{C}$ )

See LED data sheet for additional information  
See Pages 4-73 and 4-74 for LED Drive Circuit Examples  
See Page 4-72 for Pin Out

### HIGH EFFICIENCY

Part Number	Color	Peak Wavelength nm	$I_v$ mcd	$V_F$ Volts	Test Current (mA)	Viewing Angle $2\Theta_{\%}$	LED Data sheet	Page #
564-0100-xxx	Red	635	10	2*	10	60°	521-9216	4-58
	Green	565	12.6	2.1*	10	60°	521-9210	4-58
	Yellow	585	10	2.1*	10	60°	521-9211	4-58
	Orange	600	7	2.2	10	60°	521-9498	4-58
	Blue	428	12	3.5	10	70°	521-9831	4-57

\*  $I_F = 20\text{mA}$

### LOW CURRENT

Part Number	Color	Peak Wavelength nm	$I_v$ mcd	$V_F$ Volts	Test Current (mA)	Viewing Angle $2\Theta_{\%}$	LED Data sheet	Page #
564-0200-xxx	Red	635	1.6	1.7	2	60°	521-9324	4-60
	Green	565	1.6	1.9	2	60°	521-9326	4-60
	Yellow	585	1.6	1.8	2	60°	521-9325	4-60

### INTEGRAL RESISTOR, 5 VOLTS

Part Number	Color	Peak Wavelength nm	$I_v$ mcd	Test Voltage	Forward Current (mA)	Viewing Angle $2\Theta_{\%}$	LED Data sheet	Page #
564-0300-xxx	Red	635	29	5	10	60°	521-9215	4-59
	Green	565	19	5	10	60°	521-9323	4-59
	Yellow	585	12.6	5	10	60°	521-9322	4-59

### BI-COLOR

Part Number	Color	Peak Wavelength nm	$I_v$ mcd	$V_F$ Volts	Test Current (mA)	Viewing Angle $2\Theta_{\%}$	LED Data sheet	Page #
564-0700-111	Red/Green	635/565	4.7/10	2/2.1	10	50°	521-9459	4-63
564-0700-444	Yellow/Green	585/565	4.3/6.3	2.1*/2.1*	10	80°	521-9478	4-62

\*  $I_F = 20\text{mA}$