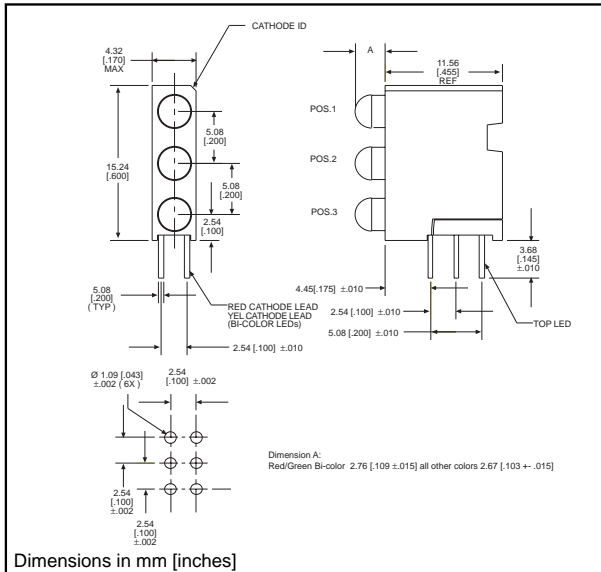


**3mm
LED CBI® Circuit Board Indicator
Tri-Level**

Dialight
564-0x00-xxx



Features

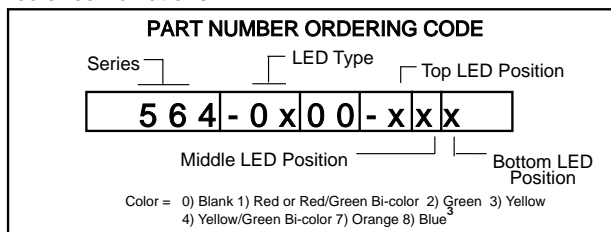
- Multiple CBIs form horizontal LED arrays on 4.45mm (0.175") center-lines.
- High Contrast, UL 94 V-0 rated, black housing
- Oxygen index: 29%
- Polymer content: PBT, 0.078 g
- Housing stand-offs facilitate PCB cleaning
- Solderability per MIL-STD-202F, method 208F
- LEDs are safe for direct viewing per IEC 825-1, EN-60825-1

Tolerance note: As noted, otherwise:

- LED Protrusion: ± 0.04 mm [± 0.016]
- CBI Housing: ± 0.02 mm [± 0.008]

Custom Combinations

- Contact factory for information on custom color combinations



PART NO.

COLOR*

HIGH EFFICIENCY - LED TYPE 01

- 564-0100-111 Red-Red-Red
- 564-0100-132 Red-Yellow-Green
- 564-0100-222 Green-Green-Green
- 564-0100-777 Orange-Orange-Orange
- 564-0100-999 Blue-Blue-Blue



LOW CURRENT - LED TYPE 02

- 564-0200-111 Red-Red-Red
- 564-0200-132 Red-Yellow-Green
- 564-0200-222 Green-Green-Green

INTEGRAL RESISTOR, 5 VOLTS - LED TYPE 03

- 564-0300-111 Red-Red-Red
- 564-0300-132 Red-Yellow-Green
- 564-0300-222 Green-Green-Green



BI-COLOR - LED TYPE 07

- 564-0700-111 Red/Green-Red/Green-Red/Green
- 564-0700-444 Yellow/Green-Yellow/Green-Yellow/Green

* Top-Middle-Bottom LED



ATTENTION
OBSERVE PRECAUTIONS
FOR HANDLING
ELECTROSTATIC
SENSITIVE
DEVICES

Typical Operating Characteristics (T_A=25°C)

See LED data sheet for additional information
 See Pages 4-73 and 4-74 for LED Drive Circuit Examples
 See Page 4-72 for Pin Out

HIGH EFFICIENCY

| Part Number | Color | Peak Wavelength nm | I _v mcd | V _F Volts | Test Current (mA) | Viewing Angle 2Θ _½ | LED Data sheet | Page # |
|--------------|--------|--------------------|--------------------|----------------------|-------------------|-------------------------------|----------------|--------|
| 564-0100-xxx | Red | 635 | 10 | 2* | 10 | 60° | 521-9216 | 4-58 |
| | Green | 565 | 12.6 | 2.1* | 10 | 60° | 521-9210 | 4-58 |
| | Yellow | 585 | 10 | 2.1* | 10 | 60° | 521-9211 | 4-58 |
| | Orange | 600 | 7 | 2.2 | 10 | 60° | 521-9498 | 4-58 |
| | Blue | 428 | 12 | 3.5 | 10 | 70° | 521-9831 | 4-57 |

* I_F = 20mA

LOW CURRENT

| Part Number | Color | Peak Wavelength nm | I _v mcd | V _F Volts | Test Current (mA) | Viewing Angle 2Θ _½ | LED Data sheet | Page # |
|--------------|--------|--------------------|--------------------|----------------------|-------------------|-------------------------------|----------------|--------|
| 564-0200-xxx | Red | 635 | 1.6 | 1.7 | 2 | 60° | 521-9324 | 4-60 |
| | Green | 565 | 1.6 | 1.9 | 2 | 60° | 521-9326 | 4-60 |
| | Yellow | 585 | 1.6 | 1.8 | 2 | 60° | 521-9325 | 4-60 |

INTEGRAL RESISTOR, 5 VOLTS

| Part Number | Color | Peak Wavelength nm | I _v mcd | Test Voltage | Forward Current (mA) | Viewing Angle 2Θ _½ | LED Data sheet | Page # |
|--------------|--------|--------------------|--------------------|--------------|----------------------|-------------------------------|----------------|--------|
| 564-0300-xxx | Red | 635 | 29 | 5 | 10 | 60° | 521-9215 | 4-59 |
| | Green | 565 | 19 | 5 | 10 | 60° | 521-9323 | 4-59 |
| | Yellow | 585 | 12.6 | 5 | 10 | 60° | 521-9322 | 4-59 |

BI-COLOR

| Part Number | Color | Peak Wavelength nm | I _v mcd | V _F Volts | Test Current (mA) | Viewing Angle 2Θ _½ | LED Data sheet | Page # |
|--------------|--------------|--------------------|--------------------|----------------------|-------------------|-------------------------------|----------------|--------|
| 564-0700-111 | Red/Green | 635/565 | 4.7/10 | 2/2.1 | 10 | 50° | 521-9459 | 4-63 |
| 564-0700-444 | Yellow/Green | 585/565 | 4.3/6.3 | 2.1*/2.1* | 10 | 80° | 521-9478 | 4-62 |

* I_F = 20mA

