



Important notes about Classic Panel Mount Indicator Catalog Pages

SCROLL DOWN TO VIEW CATALOG PAGE

This catalog page is out-of-print and is used with the understanding that the information shown could be out-of-date. In many cases, part numbers shown on this page are discontinued. Most notably, many "Complete Assembly" parts, which consist of a cap and a base, can no longer be ordered by the 14-digit ordering code. To obtain these parts, please order the cap and base part numbers separately. This process provides the components contained with the original "Complete Assembly" part number.

All Dialight Classic Panel Mount Indicators need a leading 3-digit numerical series. In some cases, this catalog will show a 2-digit series. In this case, please add a leading zero. For example, 81-0211-300 becomes 081-0211-300.

Part numbers listed on Dialight catalog pages designate parts with Red lenses. For ordering lens colors other than red, consult the chart below. In most cases, the color is dictated by the 7th digit. For example, 095-0932-003 for a green cap.

Lens Colors	
1 - Red	5 - White
2 - Green	6 - Light Yellow
3 - Yellow	7 - Clear
4 - Blue	

[Click here for a cross reference guide to assembly part numbers.](#)

[Click here to view Frequently Asked Questions concerning Panel Mount Indicators.](#)

SCROLL DOWN TO VIEW CATALOG PAGE



T-1 3/4
MIDGET
FLANGE BASE

See lamp ratings
on page J.

Incandescent Indicators

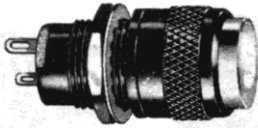
TWO TERMINALS—FULLY INSULATED
FOR MOUNTING IN 15/32" CLEARANCE HOLE

MEET OR EXCEED ENVIRONMENTAL AND OPERATIONAL REQUIREMENTS
OF MIL-L-6723 AND MIL-L-3661B

MATERIALS AND FINISHES

- **Mounting Bushing:** Aluminum, yellow iridescent chromate finish.
- **Internal-tooth Lockwasher and Mounting nut:** Steel, cadmium plated with yellow iridescent chromate finish.
- **Terminals:** Brass, hot tinned with elongated slot.

For RFI/EMI Applications



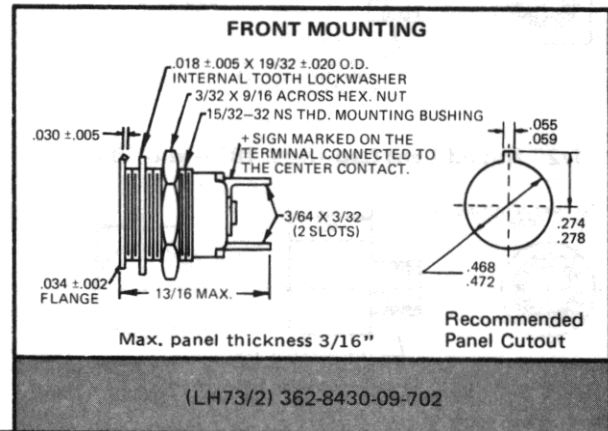
363-8430-0371-502
LH73/2, LC25RT2
Flat Lens

Feature

- **Anti-rotation (locked) construction:** Provides for secure locking of the socket terminal assembly in the mounting bushing and of the center terminal to the insulating disc. The notched mounting bushing receives the matched insulating disc to prevent the rotation of the mounting bushing.

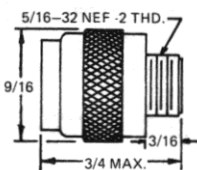
Per MIL-L-3661B

363 SERIES



BASE PART NUMBERS

(LH73/2) 362-8430-09-702

CAP PART NUMBERS	TYPE DESIG.	PART NO.	LENS CAP COLOR	COMPLETE ASSEMBLY PART NUMBERS
	Flat—Non—Diffusing			
	LC25RN2	239-0331-500	Red	
	LC25GN2	239-0332-500	Green	
	LC25YN2	239-0333-500	Yellow (Amber)	
	LC25BN2	239-0334-500	Blue	
LC25CN2	239-0337-500	Clear (Colorless)		
Legends not recommended with RFI/EMI units.	Flat—Translucent			
	LC25RT2	239-0371-500	Red	
	LC25GT2	239-0372-500	Green	
	LC25YT2	239-0373-500	Yellow (Amber)	
	LC25BT2	239-0374-500	Blue	
LC25WT2	239-0375-500	White		

Part numbers shown in gray are normally in inventory at your Dialight Distributor.

Order complete with lamp to be assured of receiving the indicator light and correct lamp together for immediate use.