

# Dialight

## 556 Series

### High Intensity LED Panel Mount Indicators for 1" Mounting Hole Watertight - NEMA4X IP66



## FEATURES / BENEFITS

- ▲ Daylight viewable
- ▲ Safety standards - UL and NEMA
- ▲ Tamperproof / Designed for high durability
- ▲ Long life, lasting up to 100k hours
- ▲ Uniform illumination - multi-LED construction
- ▲ Lens options:
  - Low profile flat
  - Wide angle domed

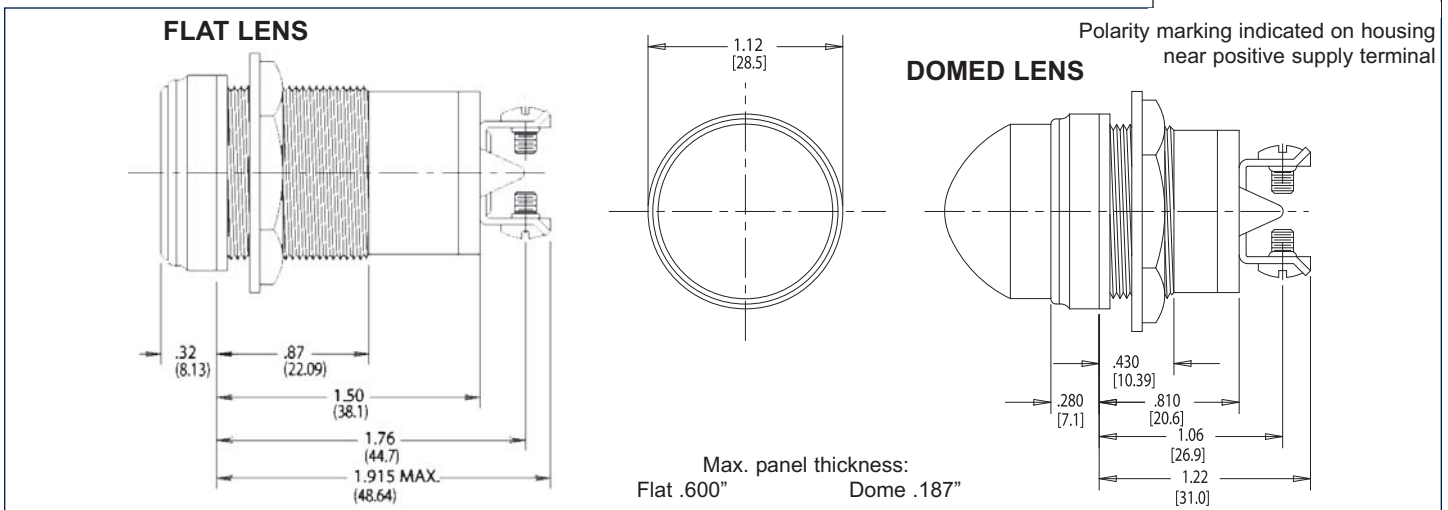
## APPLICATIONS

The 556 Series LED Panel Mount Indicators incorporate both InGaN and AlInGaP technologies to offer higher intensities. This is a highly durable package, designed to withstand outdoor applications susceptible to rain, dust and sunlight.

- Instrument panels
  - Safety applications
  - Vending, gaming
  - Lane control
  - Display lighting
  - Transportation - rail, bus, airline
- ... and many more!

## SPECIFICATIONS

- ▲ Available in red, yellow, green, blue, white, orange and cyan
- ▲ Voltage range of 12 to 125 VDC, 125 and 230 VAC
- ▲ Watertight seal from front of panel meets NEMA 4X IP66
  - Maximum Mounting Torque - 40 in./lb.
- ▲ Housing material: Nickel plated brass
- ▲ Lens material: Polycarbonate 94 - VO
- ▲ UL recognized - File #E156890
- ▲ Front mounting in 1" clearance hole
- ▲ Operating temperature: -30°C to +85°C
- ▲ Storage temperature: -40°C to +100°C



Please see back of page for part numbers and additional specifications.

Dialight reserves the right to make changes at any time in order to supply the best product possible.

**Dialight Corporation**

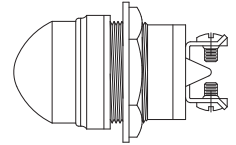
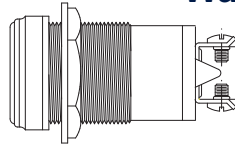
1501 Route 34 South • Farmingdale, NJ 07727 USA

Tel: (1) 732-919-3119 • Fax: (1) 732-751-5778 • www.dialight.com



MDEL556X001\_F

## 556 Series High Intensity LED Panel Mount Indicators for 1" Mounting Hole Watertight - NEMA4X IP66



### FLAT LENS - 12 AND 24 VDC

| PART NUMBER   | COLOR  | VOLTAGE (VDC) | CURRENT (mA) | Typical LUMINANCE (fL) |
|---------------|--------|---------------|--------------|------------------------|
| 556-1003-304F | White  | 12            | 60           | 4000                   |
| 556-1503-304F | Red    | 12            | 95           | 3000                   |
| 556-1603-304F | Green  | 12            | 60           | 4000                   |
| 556-1683-304F | Cyan   | 12            | 60           | 4000                   |
| 556-1703-304F | Yellow | 12            | 95           | 3000                   |
| 556-1803-304F | Blue   | 12            | 60           | 1200                   |
| 556-1903-304F | Orange | 12            | 95           | 3000                   |
| 556-1004-304F | White  | 24            | 32           | 4000                   |
| 556-1504-304F | Red    | 24            | 46           | 3000                   |
| 556-1604-304F | Green  | 24            | 32           | 4000                   |
| 556-1684-304F | Cyan   | 24            | 32           | 4000                   |
| 556-1704-304F | Yellow | 24            | 46           | 3000                   |
| 556-1804-304F | Blue   | 24            | 32           | 1200                   |
| 556-1904-304F | Orange | 24            | 46           | 1200                   |

### DOME LENS - 12 AND 24 VDC

| PART NUMBER   | COLOR  | VOLTAGE (VDC) | CURRENT (mA) | Typical LUMINANCE (fL) |
|---------------|--------|---------------|--------------|------------------------|
| 556-3003-304F | White  | 12            | 60           | 1200                   |
| 556-3503-304F | Red    | 12            | 95           | 1300                   |
| 556-3603-304F | Green  | 12            | 60           | 1800                   |
| 556-3683-304F | Cyan   | 12            | 60           | 1800                   |
| 556-3703-304F | Yellow | 12            | 95           | 1300                   |
| 556-3803-304F | Blue   | 12            | 60           | 480                    |
| 556-3903-304F | Orange | 12            | 95           | 480                    |
| 556-3004-304F | White  | 24            | 32           | 1200                   |
| 556-3504-304F | Red    | 24            | 46           | 1300                   |
| 556-3604-304F | Green  | 24            | 32           | 1800                   |
| 556-3684-304F | Cyan   | 24            | 32           | 1800                   |
| 556-3704-304F | Yellow | 24            | 46           | 1300                   |
| 556-3804-304F | Blue   | 24            | 32           | 480                    |
| 556-3904-304F | Orange | 24            | 46           | 480                    |

### FLAT LENS - 125 AND 230 VAC

| PART NUMBER   | COLOR  | VOLTAGE (VAC) | CURRENT (mA) | Typical LUMINANCE (fL) |
|---------------|--------|---------------|--------------|------------------------|
| 556-1005-304F | White  | 125           | 9            | 1800                   |
| 556-1505-304F | Red    | 125           | 10.5         | 1200                   |
| 556-1605-304F | Green  | 125           | 9.5          | 1800                   |
| 556-1685-304F | Cyan   | 125           | 9.5          | 1800                   |
| 556-1705-304F | Yellow | 125           | 10.5         | 1200                   |
| 556-1805-304F | Blue   | 125           | 9.5          | 500                    |
| 556-1905-304F | Orange | 125           | 10.5         | 500                    |
| 556-1009-304F | White  | 230           | 7            | 1800                   |
| 556-1509-304F | Red    | 230           | 7            | 1200                   |
| 556-1609-304F | Green  | 230           | 7            | 1800                   |
| 556-1709-304F | Yellow | 230           | 7            | 1200                   |
| 556-1809-304F | Blue   | 230           | 7            | 500                    |
| 556-1909-304F | Orange | 230           | 7            | 1800                   |

### DOME LENS - 125 AND 230 VAC

| PART NUMBER   | COLOR  | VOLTAGE (VAC) | CURRENT (mA) | Typical LUMINANCE (fL) |
|---------------|--------|---------------|--------------|------------------------|
| 556-3005-304F | White  | 125           | 9            | 700                    |
| 556-3505-304F | Red    | 125           | 10.5         | 500                    |
| 556-3605-304F | Green  | 125           | 9.5          | 700                    |
| 556-3685-304F | Cyan   | 125           | 9.5          | 700                    |
| 556-3705-304F | Yellow | 125           | 10.5         | 500                    |
| 556-3805-304F | Blue   | 125           | 9.5          | 180                    |
| 556-3905-304F | Orange | 125           | 10.5         | 180                    |
| 556-3009-304F | White  | 230           | 7            | 700                    |
| 556-3509-304F | Red    | 230           | 7            | 500                    |
| 556-3609-304F | Green  | 230           | 7            | 700                    |
| 556-3709-304F | Yellow | 230           | 7            | 500                    |
| 556-3809-304F | Blue   | 230           | 7            | 180                    |
| 556-3909-304F | Orange | 230           | 7            | 180                    |

Other voltages are available.  
Please contact our factory for more information.

Dialight reserves the right to make changes at any time  
in order to supply the best product possible.

**Dialight Corporation**

1501 Route 34 South • Farmingdale, NJ 07727 USA

Tel: (1) 732-919-3119 • Fax: (1) 732-751-5778 • www.dialight.com



MDEL556X001\_F