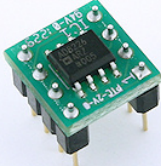


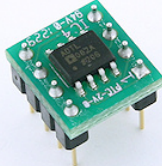
# Analog Parts Kit – Cmod Pinouts

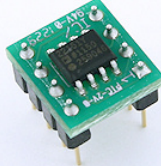


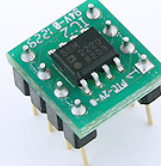
Revision: October 22, 2012


1300 NE Henley Court, Suite 3  
 Pullman, WA 99163  
 (509) 334 6306 Voice | (509) 334 6300 Fax

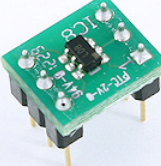
<b>Cmod IC1</b>  Part: AD8226	
Pin 1: -IN Pin 2: RG Pin 3: RG Pin 4: +IN Pin 5: -VS Pin 6: REF Pin 7: Vout Pin 8: +VS	


<b>Cmod IC4</b>  Part: ADTL082	
Pin 1: OUT A Pin 2: -IN A Pin 3: +IN A Pin 4: -V Pin 5: +IN B Pin 6: -IN B Pin 7: OUT B Pin 8: +V	


<b>Cmod IC7</b>  Part: AD22151	
Pin 1: TC1 Pin 2: TC2 Pin 3: TC3 Pin 4: GND Pin 5: OUTPUT Pin 6: GAI N Pin 7: REF Pin 8: VCC	

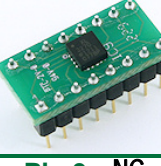
<b>Cmod IC2</b>  Part: SSM2220	
Pin 1: C1 Pin 2: B1 Pin 3: E1 Pin 4: NC Pin 5: NC Pin 6: E2 Pin 7: B2 Pin 8: C2	

<b>Cmod IC5</b>  Part: AD8541	
Pin 1: NC Pin 2: -IN A Pin 3: +IN A Pin 4: V- Pin 5: NC Pin 6: OUT A Pin 7: V+ Pin 8: NC	

<b>Cmod IC8</b>  Part: ADP3300	
Pin 1: GND Pin 2: NR Pin 3: SD Pin 4: OUT Pin 5: IN Pin 6: ERR	

<b>Cmod IC3</b>  Part: SSM2212	
Pin 1: C1 Pin 2: B1 Pin 3: E1 Pin 4: NC Pin 5: NC Pin 6: E2 Pin 7: B2 Pin 8: C2	

<b>Cmod IC6</b>  Part: AD8210	
Pin 1: -IN Pin 2: GND Pin 3: VREF2 Pin 4: NC Pin 5: OUT Pin 6: V+ Pin 7: VREF1 Pin 8: +IN	

<b>Cmod IC9</b>  Part: ADXL327 <i>Note: 3.3V only</i>		
Pin 1: NC Pin 2: ST Pin 3: COM Pin 4: NC Pin 5: COM Pin 7: COM Pin 8: ZOUT		Pin 9: NC Pin 10: YOUT Pin 11: NC Pin 12: XOUT Pin 13: NC Pin 14: VS Pin 15: VS Pin 16: NC

<b>Cmod IC10</b>  Part: ADMP504 <i>Note: 3.3V only</i>	
Pin 1: OUTPUT Pin 2: GND Pin 3: VDD Pin 4: NC	