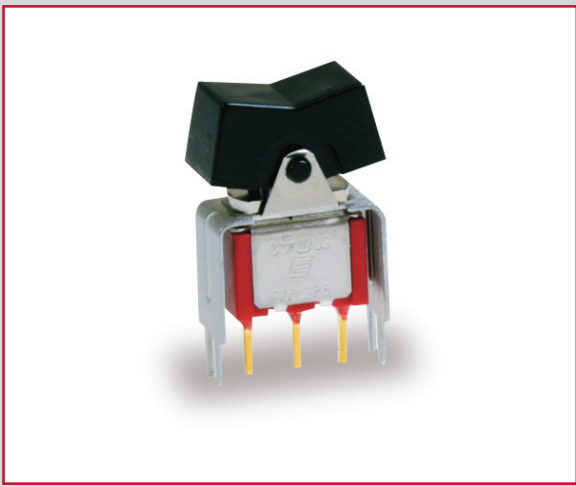


# 300 SERIES ROCKER SWITCH

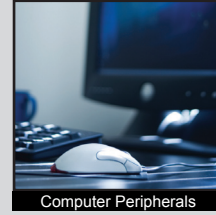
- ANTI-VANDAL SWITCHES
- DETECTOR SWITCHES
- DIP SWITCHES
- KEYLOCK SWITCHES
- NAVIGATION SWITCHES
- PUSHBUTTON SWITCHES
- ROCKER SWITCHES**
- ROTARY SWITCHES
- SLIDE SWITCHES
- SNAP ACTION SWITCHES
- TACTILE SWITCHES
- TOGGLE SWITCHES
- CAP OPTIONS



## APPLICATIONS / MARKETS



Testing Equipment



Computer Peripherals



Consumer Electronics



Telecommunication



Instrumentation



Medical Equipment

# RoHS

## SPECIFICATIONS

### Contact Rating:

Silver: 5A @ 120VAC or 28 VDC  
2A @ 250VAC

Gold: 0.4VA @ 20V Max (AC or DC)

**Life Expectancy:** 40,000 make or break cycles at full load

**Contact Resistance:** 10mΩ max. initial @ 2-4VDC,

100mA for both silver and gold plated contacts

**Insulation Resistance:** 1,000MΩ min.

**Dielectric Strength:** 1,000 V RMS @ sea level

**Operating Temperature:** -30°C to 85°C

## FEATURES & BENEFITS

- Multiple rocker & paddle options
- Up to 4 poles
- Multiple termination options
- Snap-in panel mount option available

## PART NUMBER CONFIGURATOR

Series	Model No.	Acuator	Actuator Color**	Termination	Contact Material	Seal	Frame Color
300	SP1	Panel Mount	Panel Mount	Panel Mount	Q - Silver	E - Epoxy sealed at base of terminal	(R6, R7 Only) BLK - Black WHT - White RED - Red YEL - Yellow GRY - Gray
	SP2	R1	BLK - Black	M1	R - Gold		
	SP3	R2	WHT - White	M3			
	SP4	R3	RED - Red	M51			
	SP5	R4	YEL - Yellow	M52			
	DP1	R6*	GRY - Gray	M53			
	DP2	R7*		M54			
	DP3	R8*	PC Mount				
	DP4	R9*	BLK - Black	PC Mount			
	DP5	R11	WHT - White	M2			
	DP6	R16	RED - Red	M6			
	DP7		YEL - Yellow	M7			
	DP8	*Snap-in	GRY - Gray	VS2			
	3P1	Panel Mount		VS3			
	3P2			VS4			
	3P3	PC Mount		VS5			
	3P4	J1		M61			
	3P5	J2		VS21			
	4P1	J3					
	4P2	J4					
	4P3	J5					
	4P4	J6					
	4P5						
	4P6						

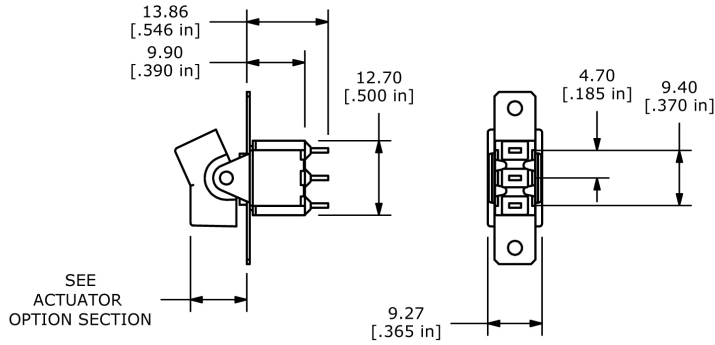
*Specifications subject to change without notice*

# 300 SERIES ROCKER SWITCH

## Switch Functions

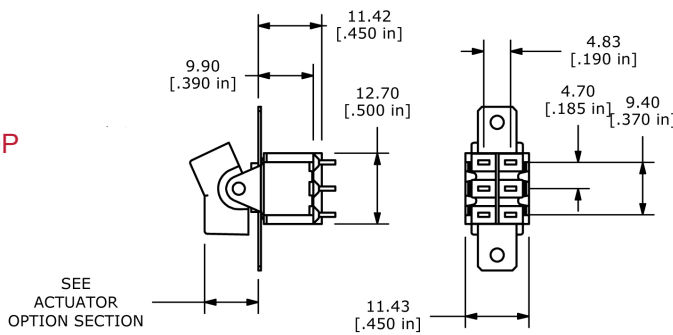
( ) = momentary

### Single Pole - SP



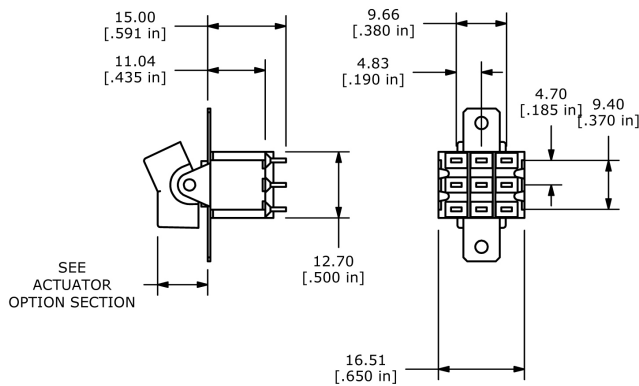
MODEL NO.	POS. 1	POS. 2	POS. 3
SP1	ON	NONE	ON
SP2	ON	NONE	(ON)
SP3	ON	OFF	ON
SP4	(ON)	OFF	(ON)
SP5	ON	OFF	(ON)
Term. Comm.	2-3	OPEN	2-1

### Double Pole - DP



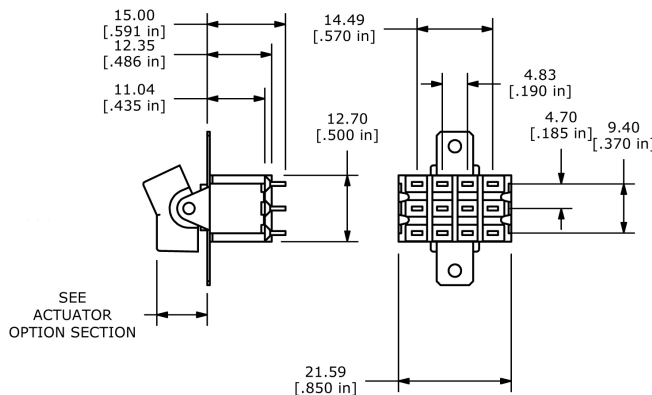
MODEL NO.	POS. 1	POS. 2	POS. 3
DP1	ON	NONE	ON
DP2	ON	NONE	(ON)
DP3	ON	OFF	ON
DP4	(ON)	OFF	(ON)
DP5	ON	OFF	(ON)
DP7	ON	ON	(ON)
DP8	(ON)	ON	(ON)
Term. Comm.	2-3, 5-6	OPEN	2-1, 5-4
Term. Comm.	2-3, 5-6	2-3, 5-4	2-1, 5-4

### Triple Pole - 3P



MODEL NO.	POS. 1	POS. 2	POS. 3
3P1	ON	NONE	ON
3P2	ON	NONE	(ON)
3P3	ON	OFF	ON
3P4	(ON)	OFF	(ON)
3P5	ON	OFF	(ON)
Term. Comm.	2-3, 5-6, 8-9	OPEN	2-1, 5-4, 8-7

### Four Pole - 4P



MODEL NO.	POS. 1	POS. 2	POS. 3
4P1	ON	NONE	ON
4P2	ON	NONE	(ON)
4P3	ON	OFF	ON
4P4	(ON)	OFF	(ON)
4P5	ON	OFF	(ON)
Term. Comm.	2-3, 5-6, 8-9, 11-12	OPEN	2-1, 5-4, 8-7, 11-10
4P6	ON	ON	ON
Term. Comm.	2-3, 5-6, 8-9, 11-12	2-3, 5-4, 8-9, 11-10	2-1, 5-4, 8-7, 11-10

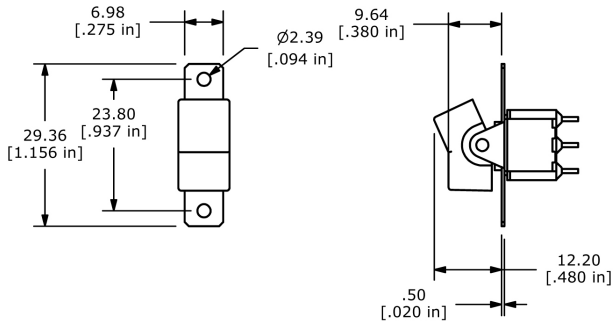


ANTI-VANDAL SWITCHES  
DETECTOR SWITCHES  
DIP SWITCHES  
KEYLOCK SWITCHES  
NAVIGATION SWITCHES  
PUSHBUTTON SWITCHES  
ROCKER SWITCHES  
ROTARY SWITCHES  
SLIDE SWITCHES  
SNAP ACTION SWITCHES  
TACTILE SWITCHES  
TOGGLE SWITCHES  
CAP OPTIONS

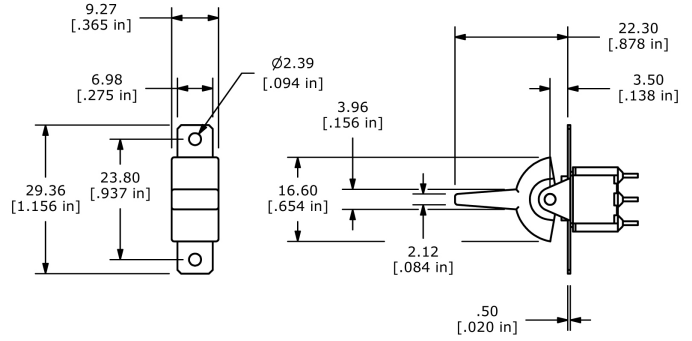
# 300 SERIES ROCKER SWITCH

## Panel Mount Actuator

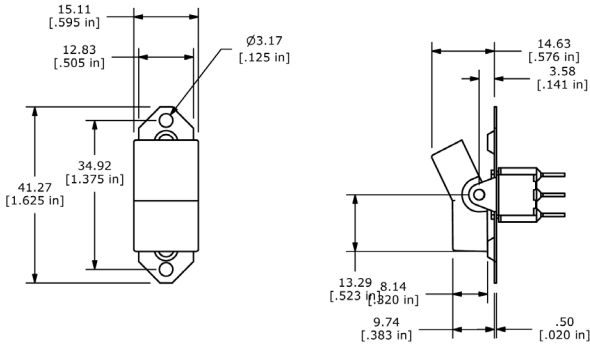
R1 Actuator



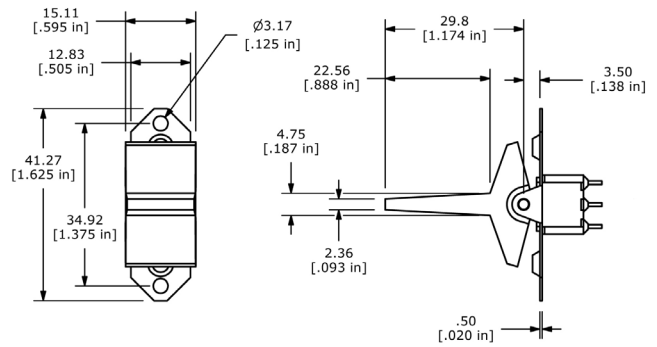
R2 Actuator



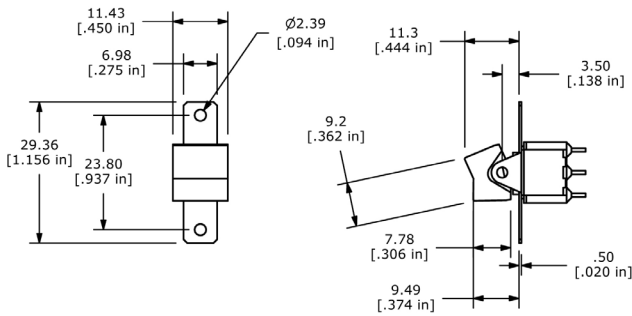
R3 Actuator



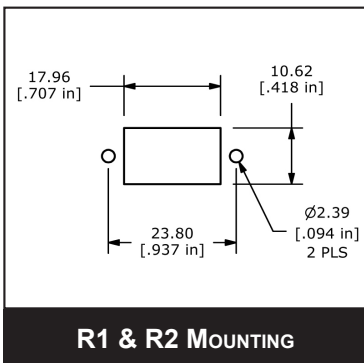
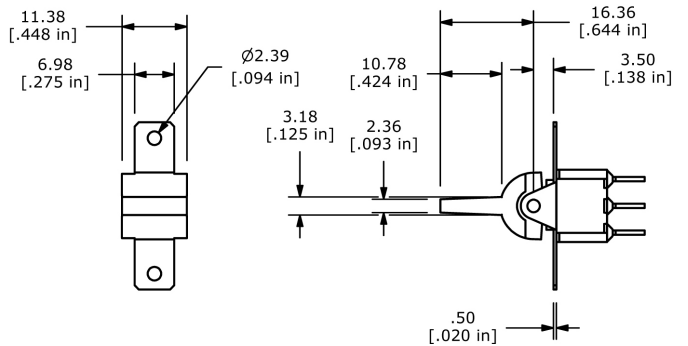
R4 Actuator



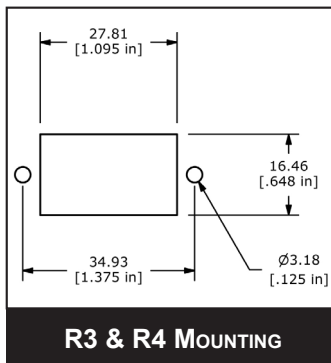
R11 Actuator



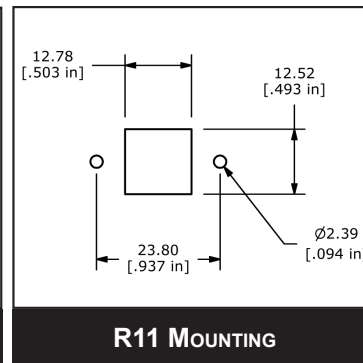
R16 Actuator



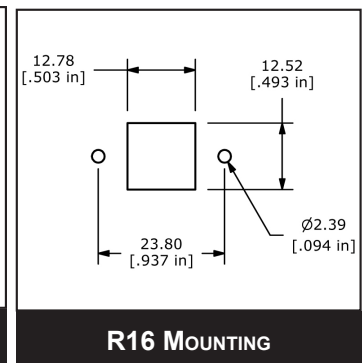
R1 & R2 MOUNTING



R3 & R4 MOUNTING



R11 MOUNTING



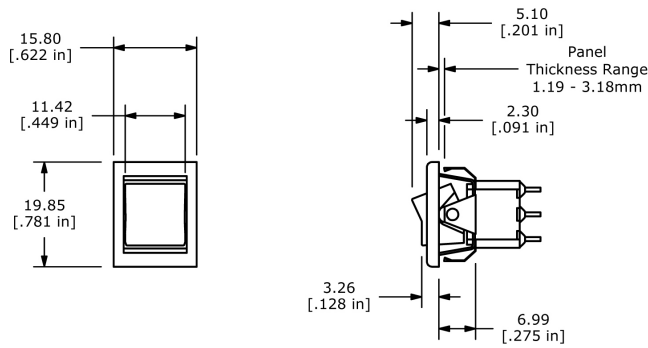
R16 MOUNTING



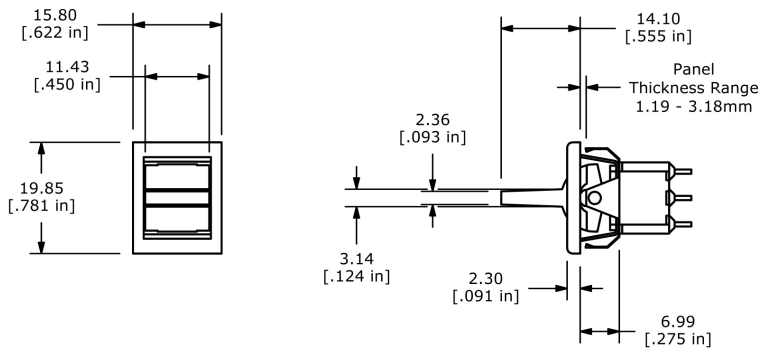
# 300 SERIES ROCKER SWITCH

## Snap-in Panel Mount Actuator

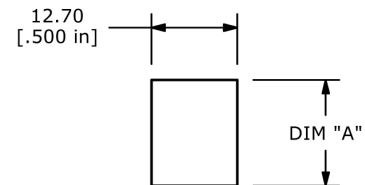
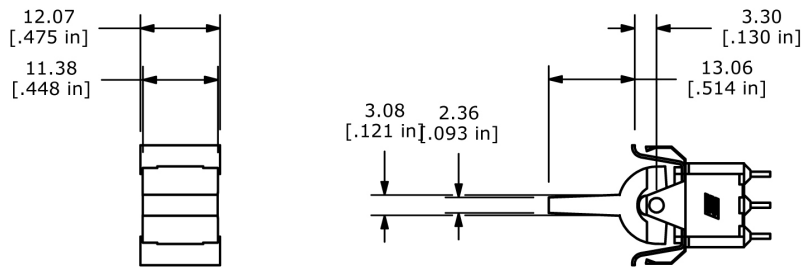
### R6 Actuator



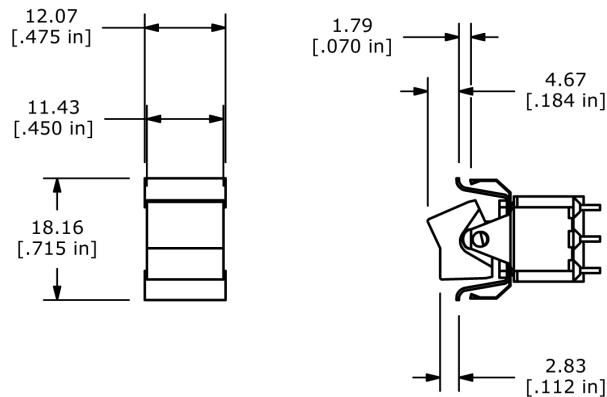
### R7 Actuator



### R8 Actuator



### R9 Actuator



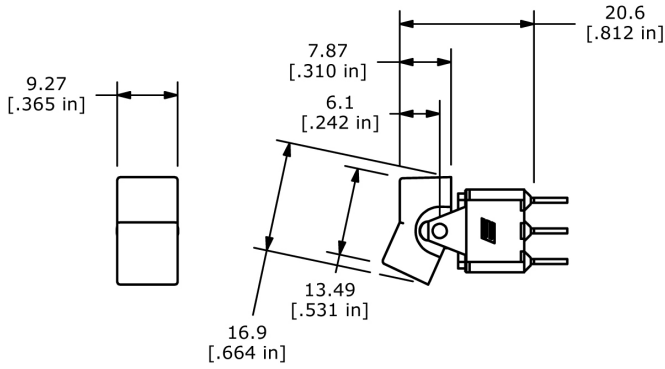
ACTUATOR OPTION	PANEL THICKNESS	DIM "A"
R6 or R7	1.19-1.51 [.047-.060]	15.70 [.619]
R6 or R7	1.52-3.18 [.061-.125]	15.85 [.624]
R8 or R9	1.19-2.29 [.047-.090]	15.70 [.619]
R8 or R9	2.30-3.18 [.091-.125]	15.85 [.624]



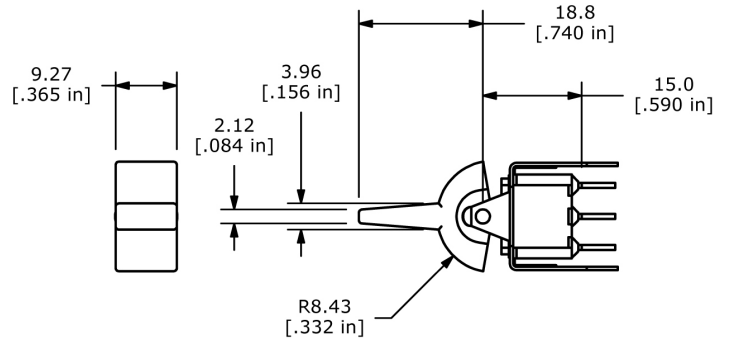
ANTI-VANDAL SWITCHES  
DETECTOR SWITCHES  
DIP SWITCHES  
KEYLOCK SWITCHES  
NAVIGATION SWITCHES  
PUSHBUTTON SWITCHES  
ROCKER SWITCHES  
ROTARY SWITCHES  
SLIDE SWITCHES  
SNAP ACTION SWITCHES  
TACTILE SWITCHES  
TOGGLE SWITCHES  
CAP OPTIONS

## PC Mount Actuator

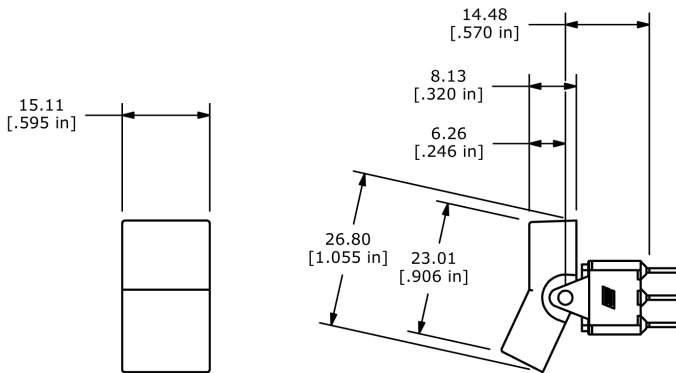
### J1 Actuator



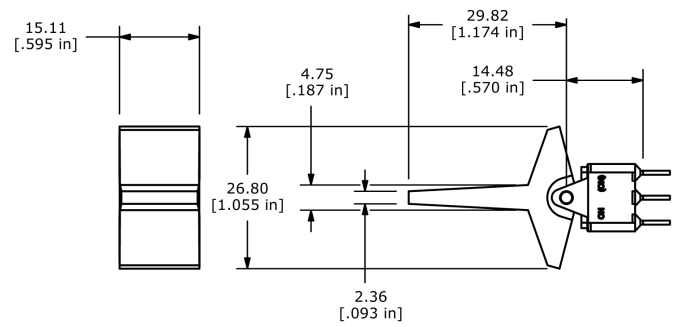
### J2 Actuator



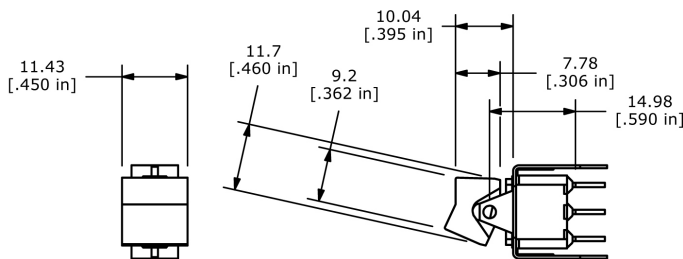
### J3 Actuator



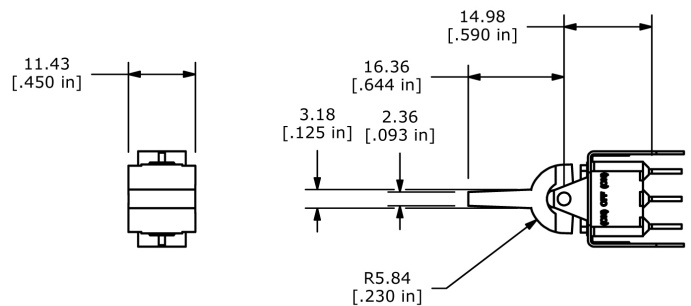
### J4 Actuator



### J5 Actuator



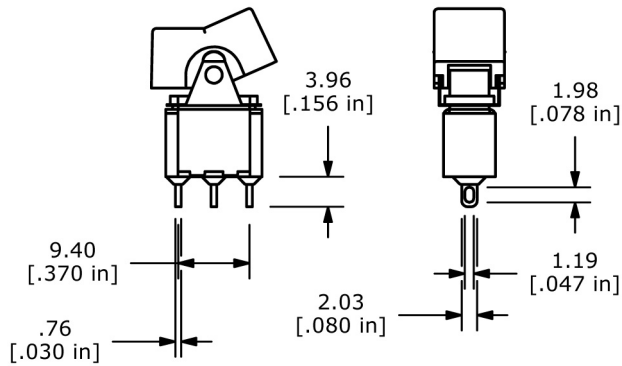
### J6 Actuator



# 300 SERIES ROCKER SWITCH

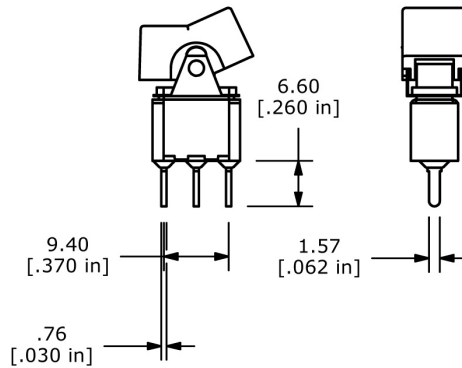
## Panel Mount Termination

### M1 Termination

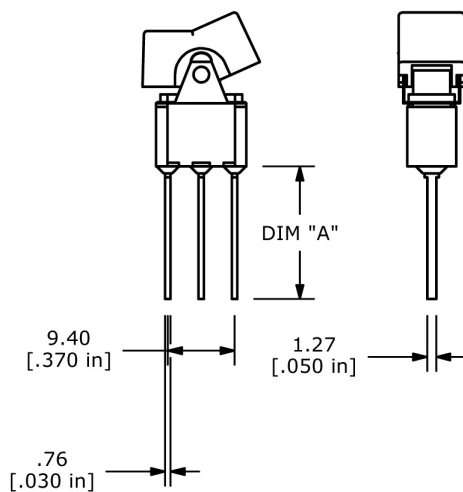


See Switch Function details (page 3) for complete terminal spacing dimensions for DP, 3P, and 4P switch models.

### M3 Termination



### M5 Termination



OPTION	DIM "A"
M51	18.70 [.736]
M52	24.20 [.953]
M53	10.55 [.415]
M54	26.97 [1.062]

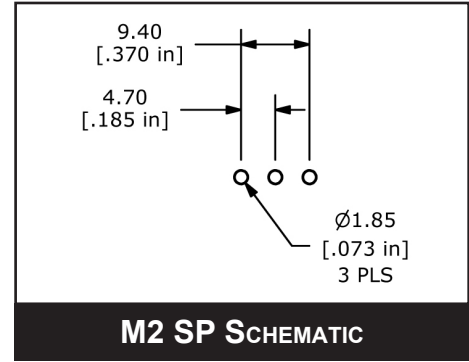
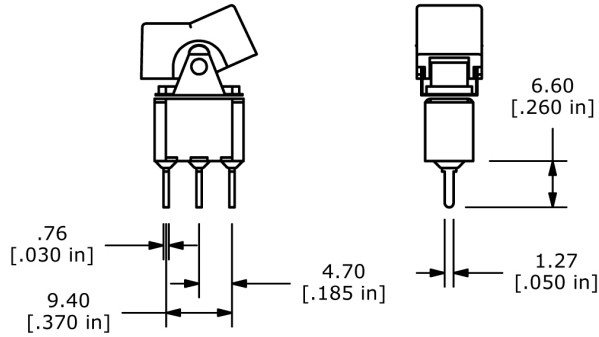


# 300 SERIES ROCKER SWITCH

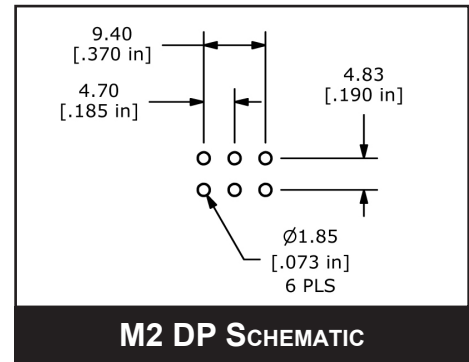
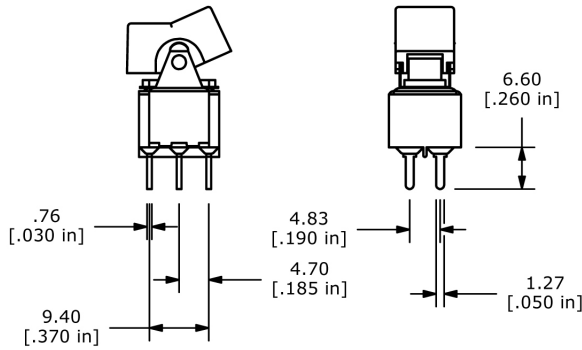
## PC Mount M2 Termination

- ANTI-VANDAL SWITCHES
- DETECTOR SWITCHES
- DIP SWITCHES
- KEYLOCK SWITCHES
- NAVIGATION SWITCHES
- PUSHBUTTON SWITCHES
- ROCKER SWITCHES**
- ROTARY SWITCHES
- SLIDE SWITCHES
- SNAP ACTION SWITCHES
- TACTILE SWITCHES
- TOGGLE SWITCHES
- CAP OPTIONS

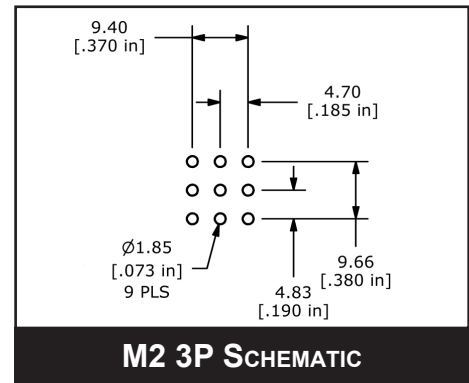
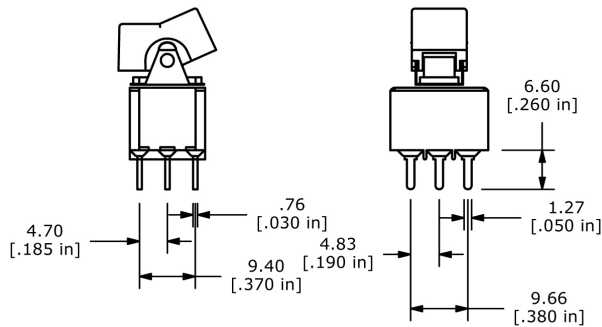
M2 Termination - SP



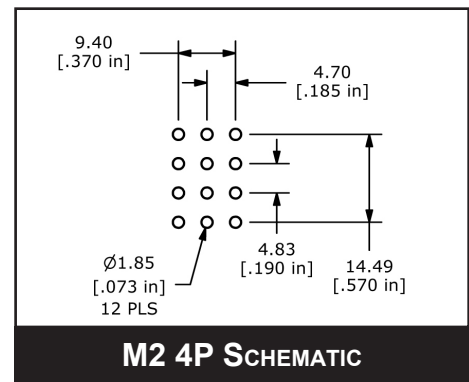
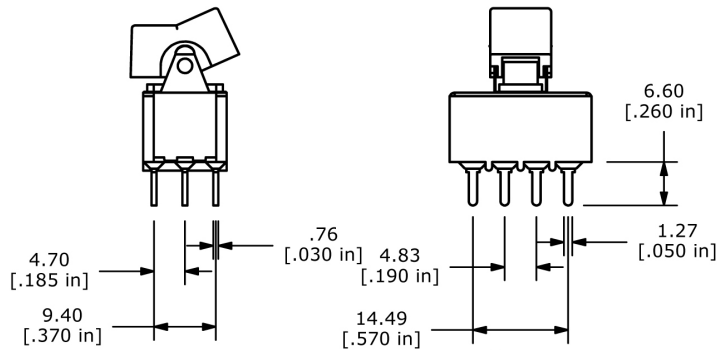
M2 Termination - DP



M2 Termination - 3P



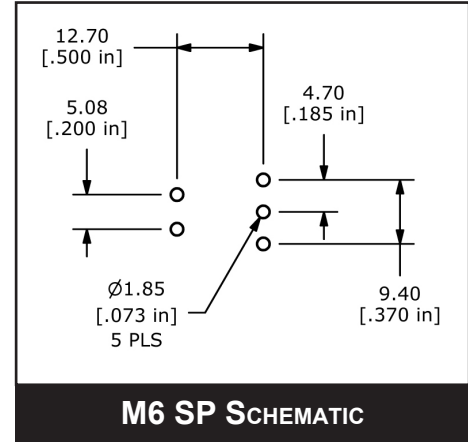
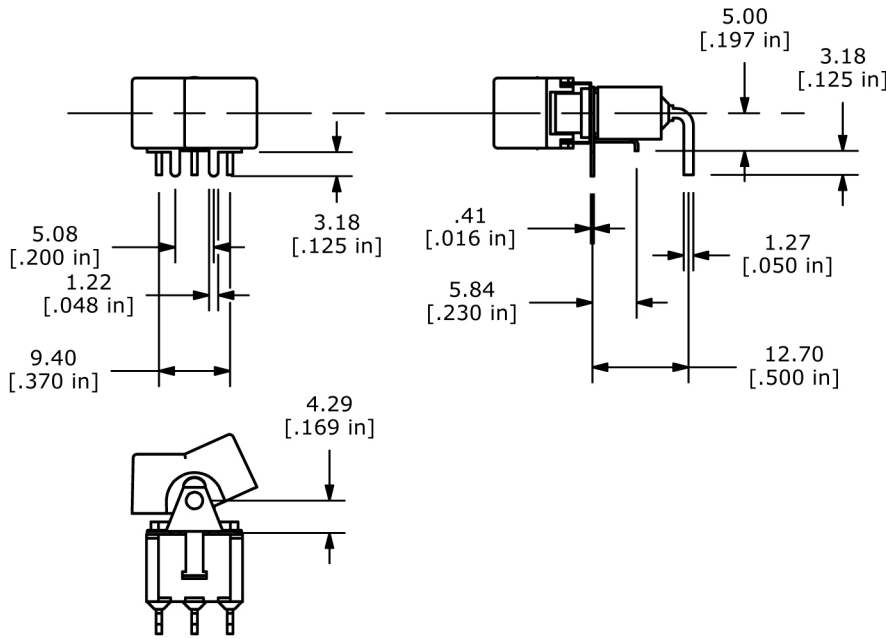
M2 Termination - 4P



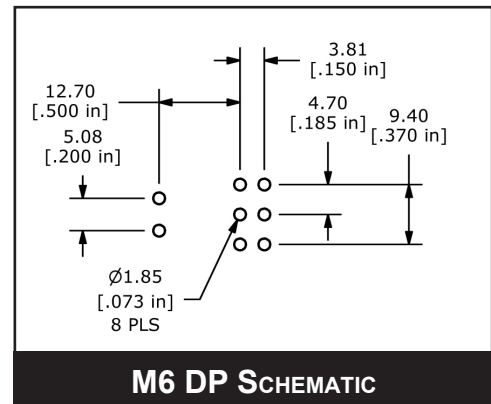
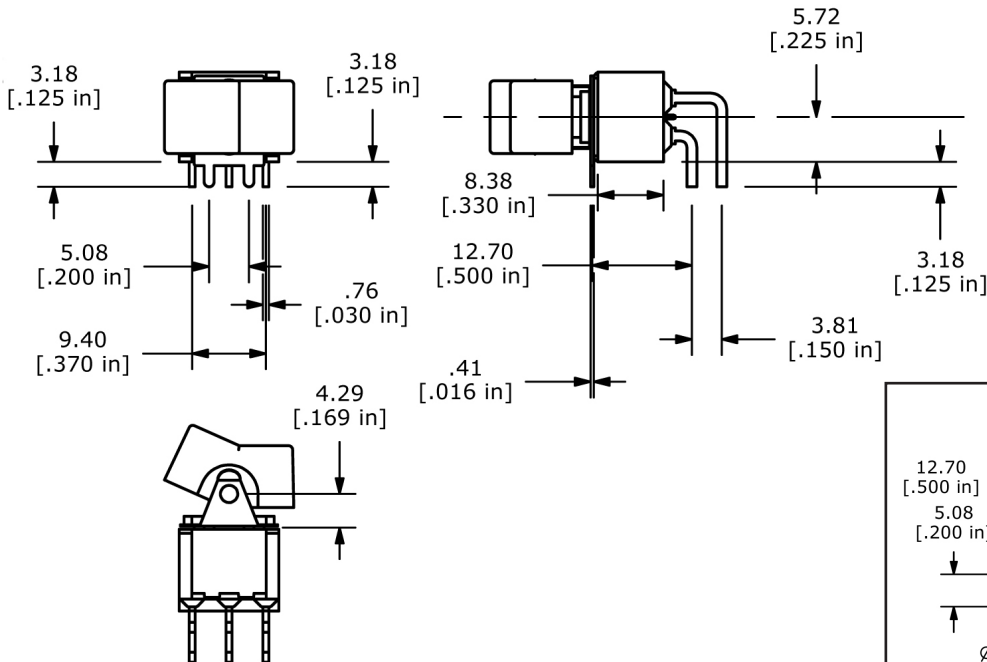
# 300 SERIES ROCKER SWITCH

## PC Mount M6 Termination

### M6 Termination - SP



### M6 Termination - DP

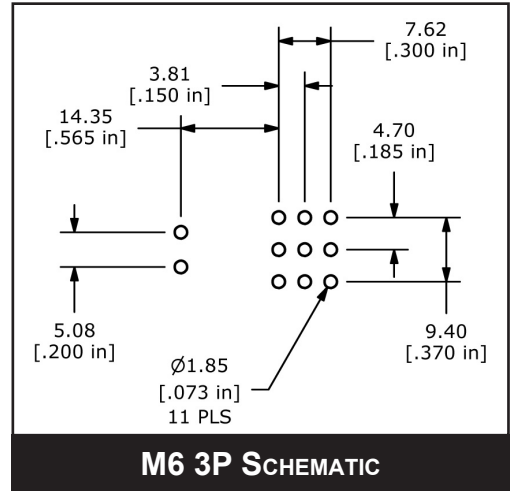
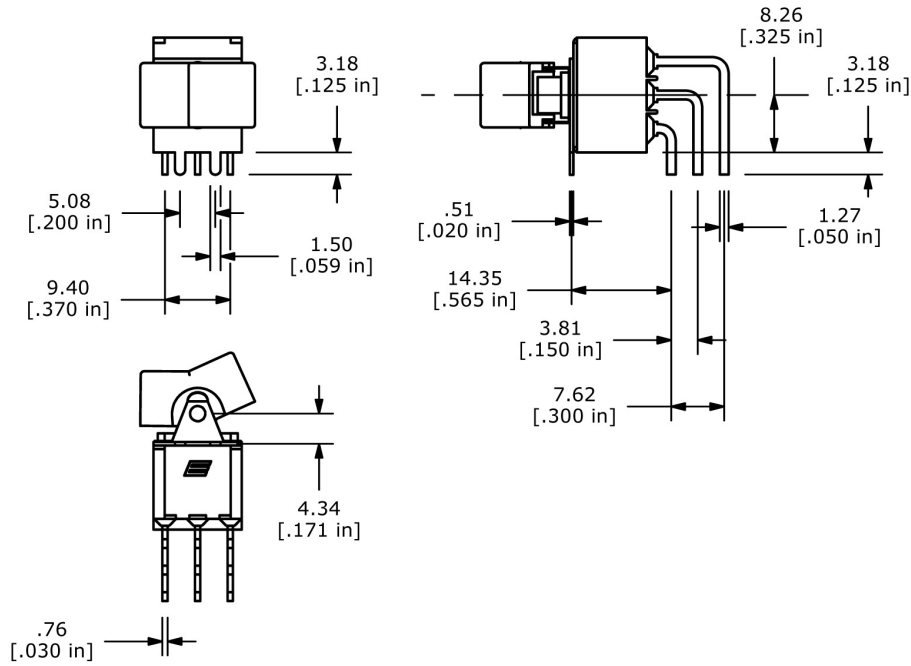




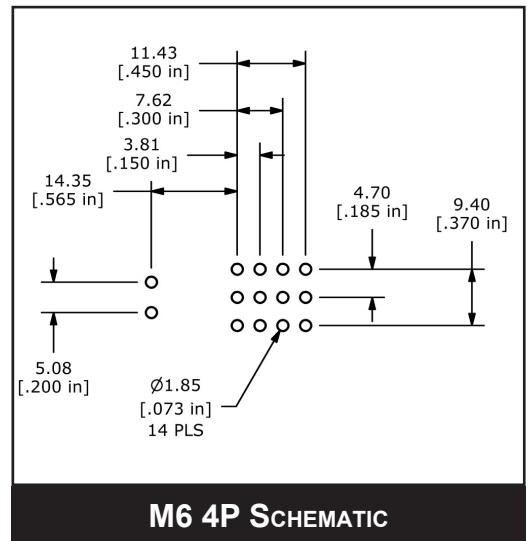
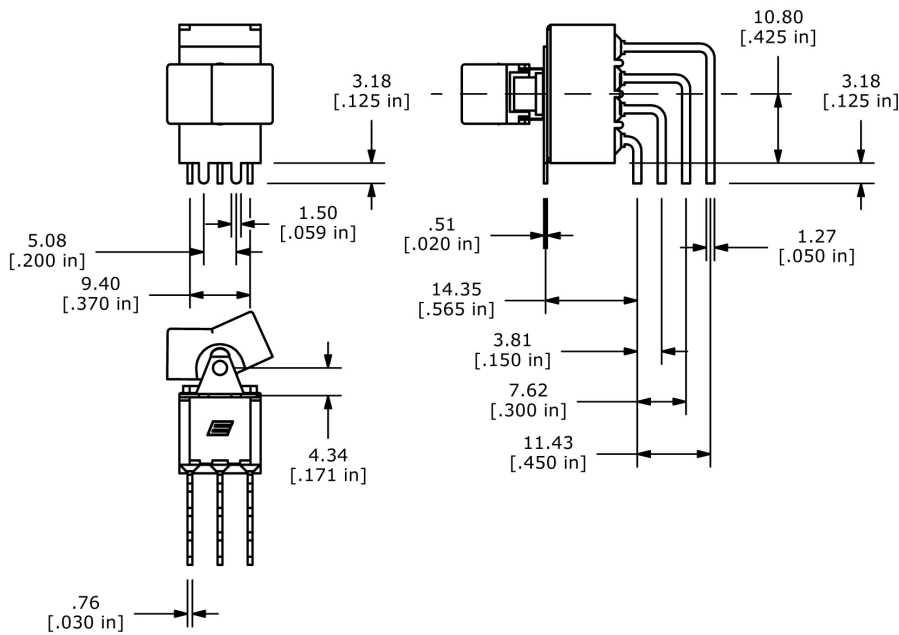
# 300 SERIES ROCKER SWITCH

## PC Mount M6 Termination

### M6 Termination - 3P



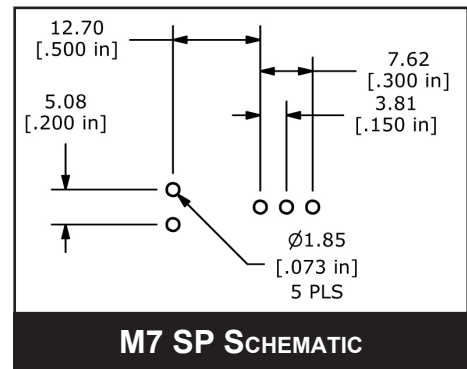
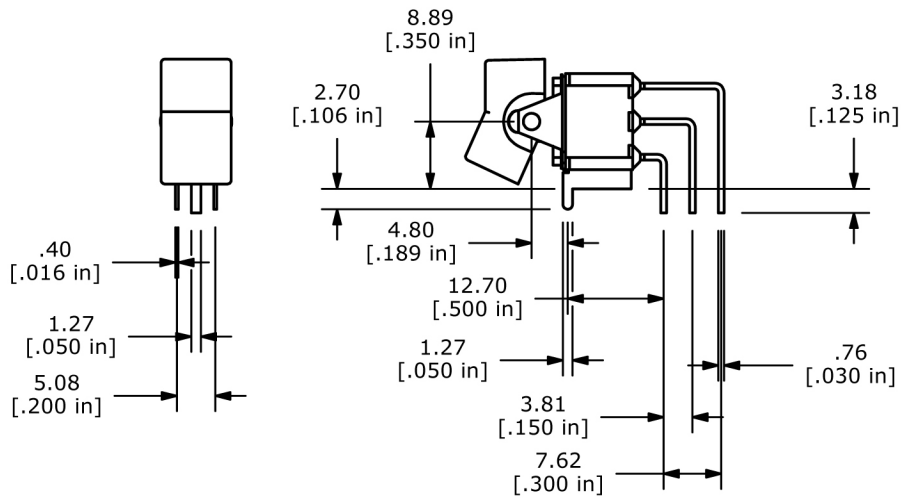
### M6 Termination - 4P



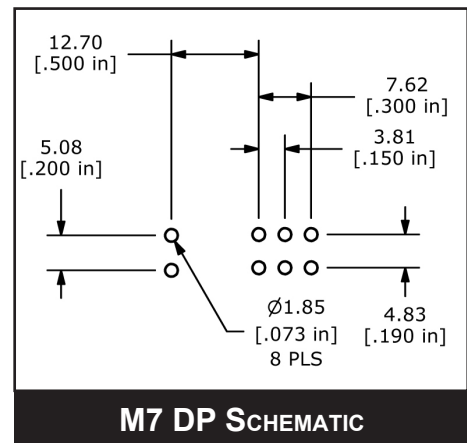
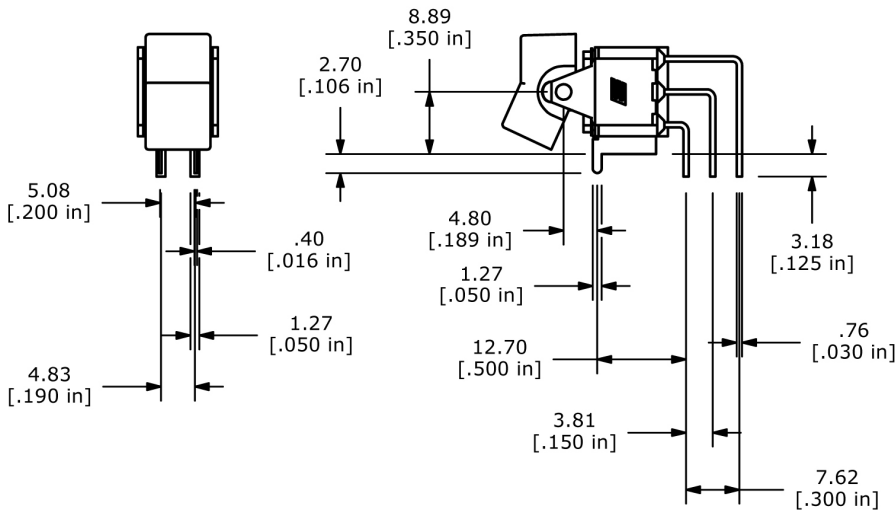
# 300 SERIES ROCKER SWITCH

## PC Mount M7 Termination

### M7 Termination - SP



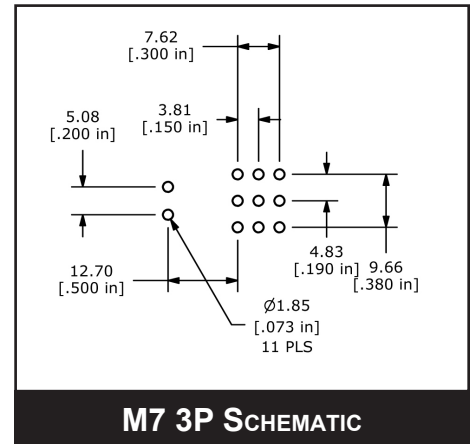
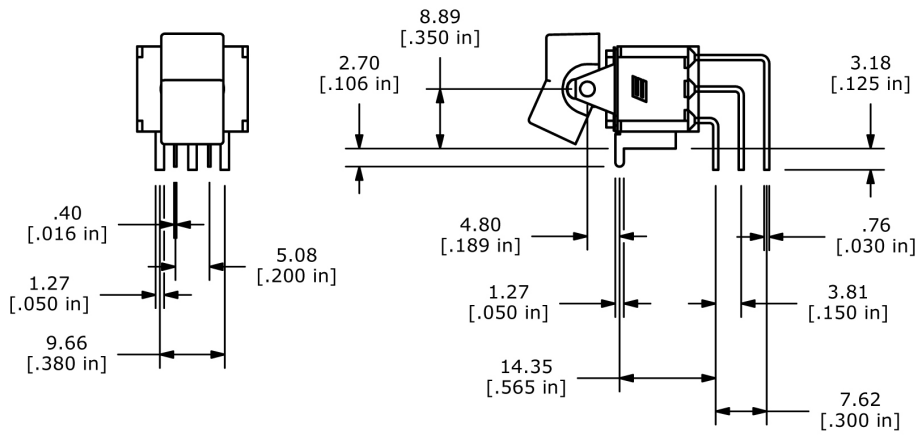
### M7 Termination - DP



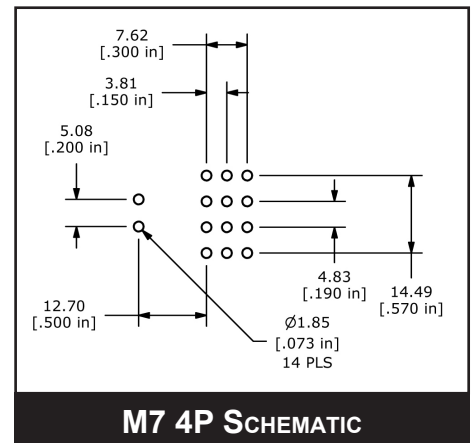
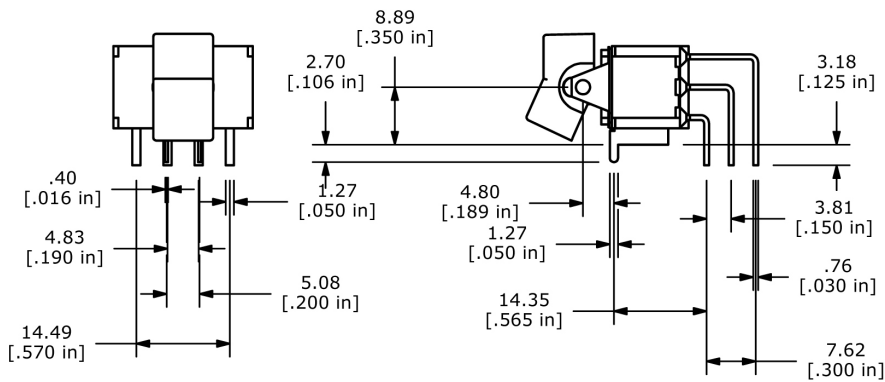
# 300 SERIES ROCKER SWITCH

## PC Mount M7 Termination Options

### M7 Termination - 3P



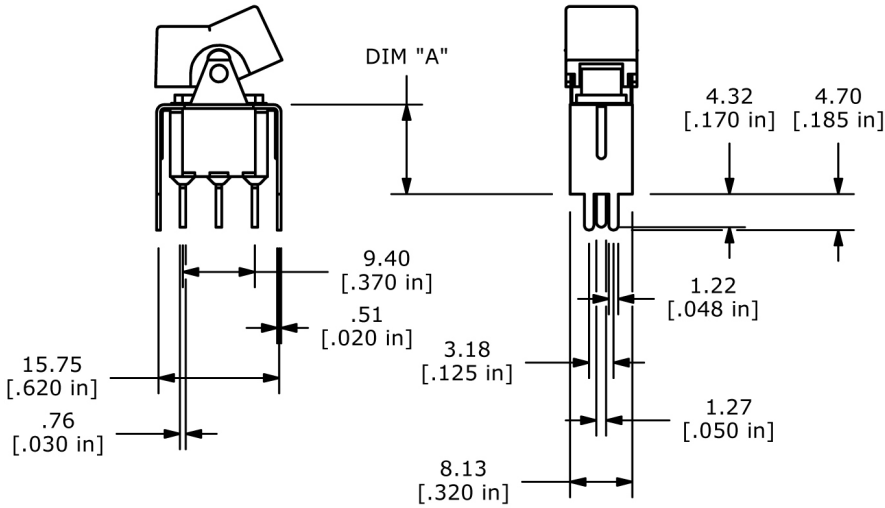
### M7 Termination - 4P



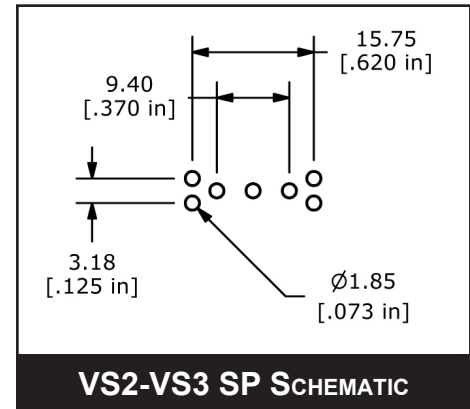
# 300 SERIES ROCKER SWITCH

## PC Mount VS2-VS3 Termination

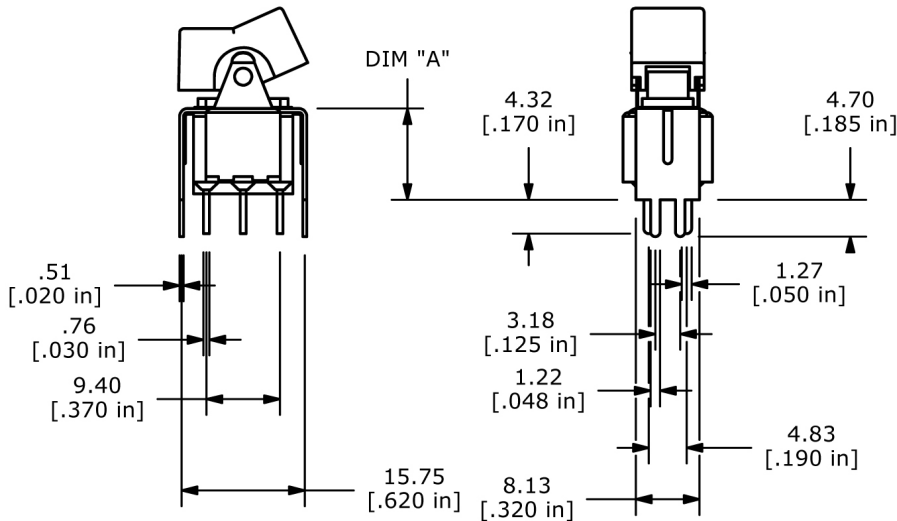
### VS2-VS3 Termination - SP



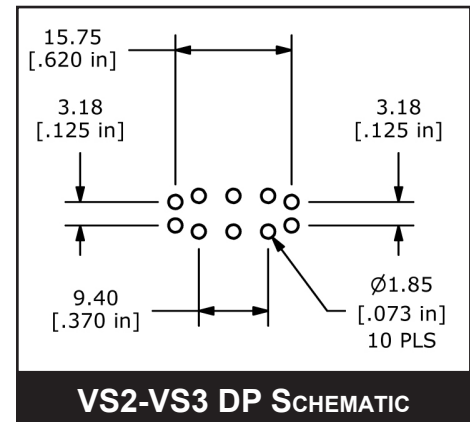
OPTION	DIM "A"
VS2	11.68 [.460]
VS3	16.00 [.630]



### VS2-VS3 Termination - DP



OPTION	DIM "A"
VS2	11.68 [.460]
VS3	16.00 [.630]

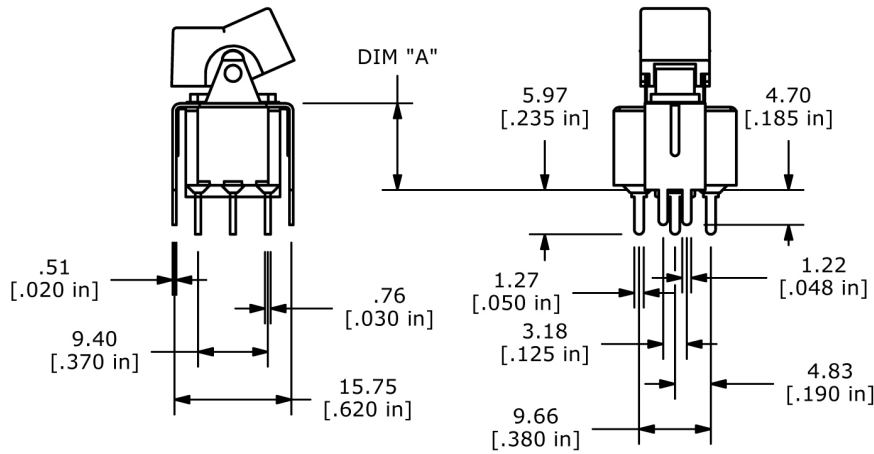


ANTI-VANDAL SWITCHES  
 DETECTOR SWITCHES  
 DIP SWITCHES  
 KEYLOCK SWITCHES  
 NAVIGATION SWITCHES  
 PUSHBUTTON SWITCHES  
**ROCKER SWITCHES**  
 ROTARY SWITCHES  
 SLIDE SWITCHES  
 SNAP ACTION SWITCHES  
 TACTILE SWITCHES  
 TOGGLE SWITCHES  
 CAP OPTIONS

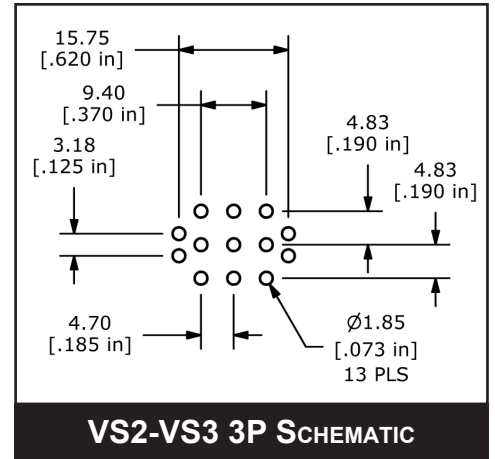
# 300 SERIES ROCKER SWITCH

## PC Mount VS2-VS3 Termination

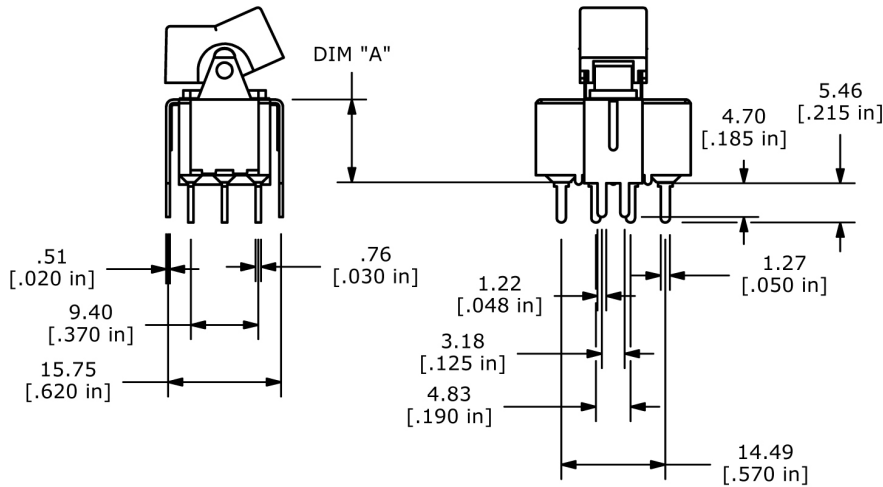
### VS2-VS3 Termination - 3P



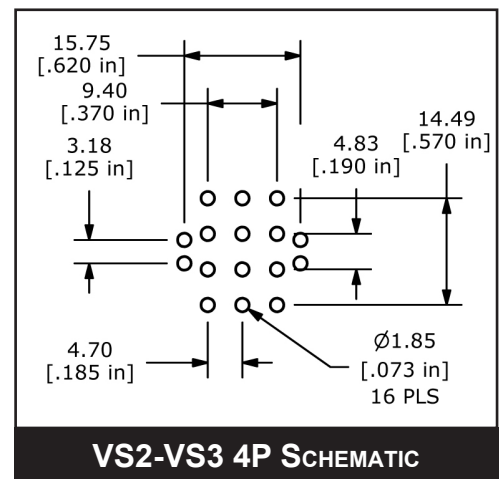
OPTION	DIM "A"
VS2	11.68 [.460]
VS3	16.00 [.630]



### VS2-VS3 Termination - 4P



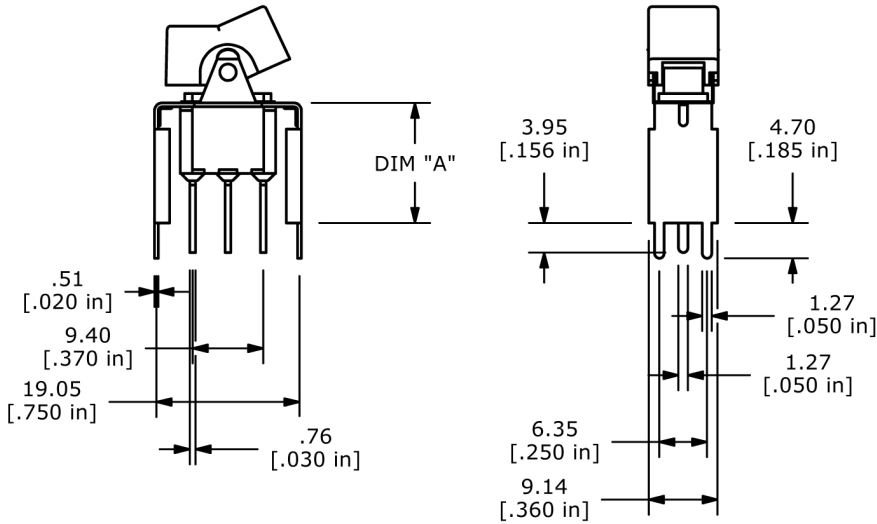
OPTION	DIM "A"
VS2	11.68 [.460]
VS3	16.00 [.630]



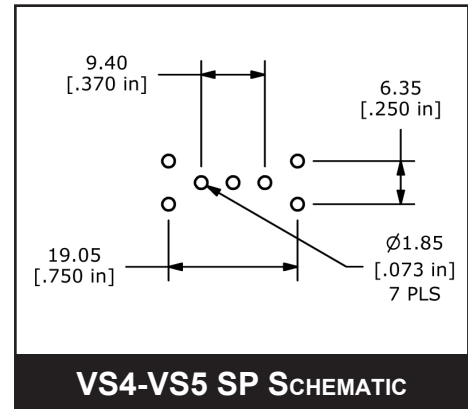
# 300 SERIES ROCKER SWITCH

## PC Mount VS4-VS5 Termination

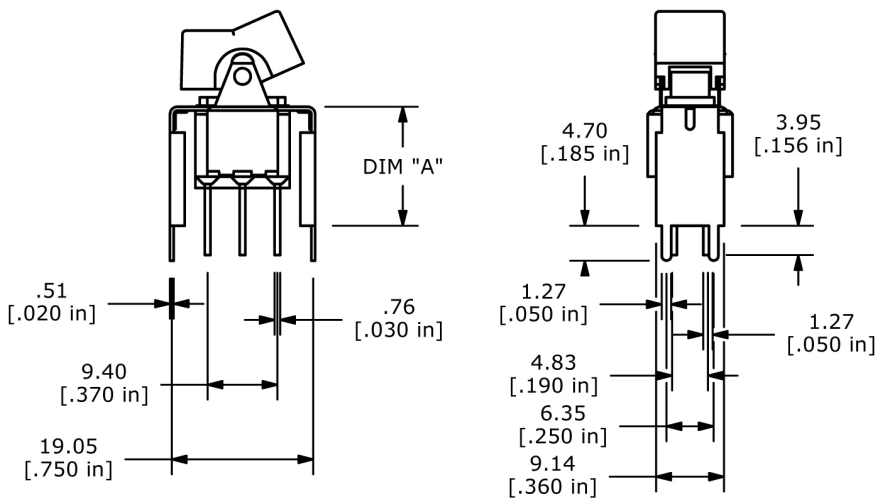
### VS4-VS5 Termination - SP



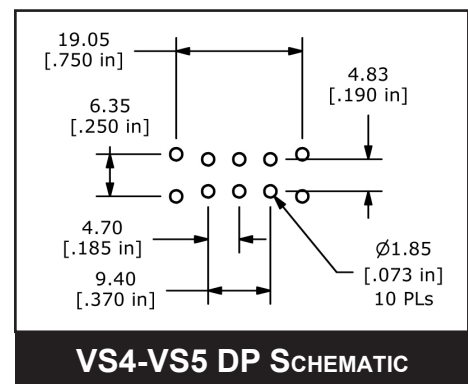
OPTION	DIM "A"
VS4	11.68 [.460]
VS5	16.00 [.630]



### VS4-VS5 Termination - DP



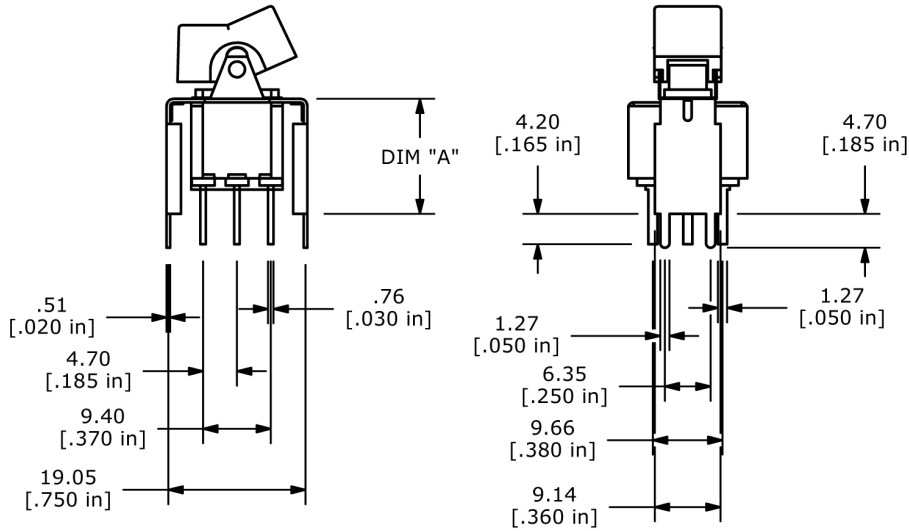
OPTION	DIM "A"
VS4	11.68 [.460]
VS5	16.00 [.630]



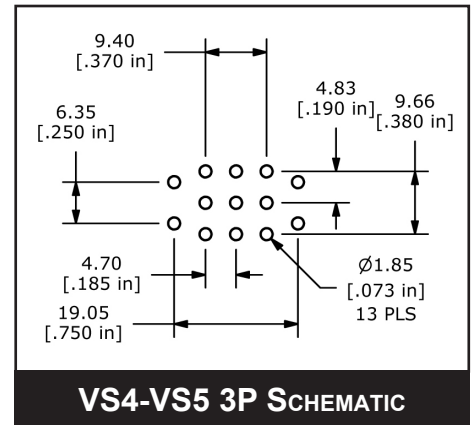
# 300 SERIES ROCKER SWITCH

## PC Mount VS4-VS5 Termination

### VS4-VS5 Termination - 3P

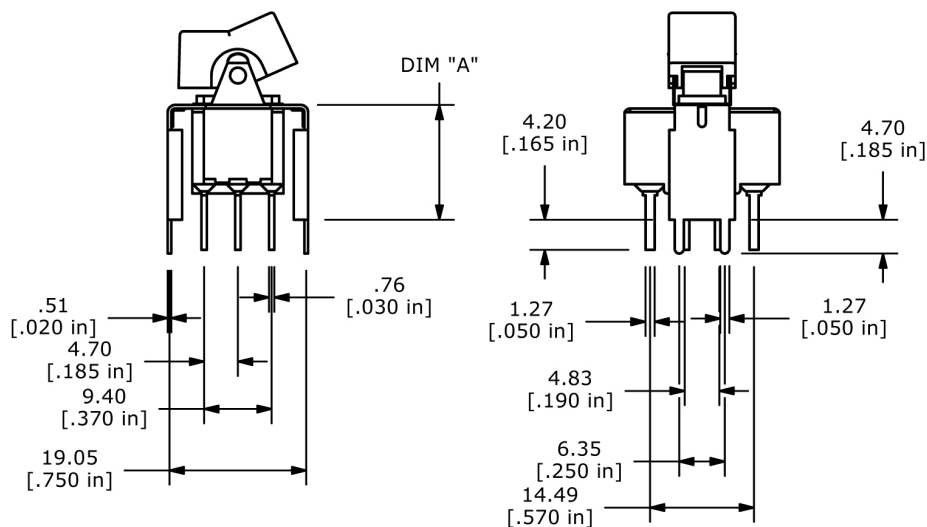


OPTION	DIM "A"
VS4	11.68 [.460]
VS5	16.00 [.630]

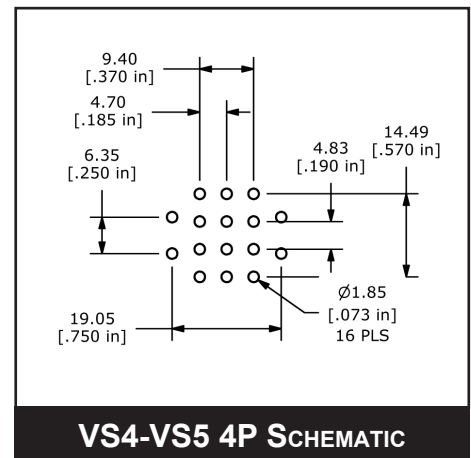


**VS4-VS5 3P SCHEMATIC**

### VS4-VS5 Termination - 4P



OPTION	DIM "A"
VS4	11.68 [.460]
VS5	16.00 [.630]



**VS4-VS5 4P SCHEMATIC**

