

# SERIES LP11 SWITCHES



## ILLUMINATED PUSHBUTTON



### FEATURES & BENEFITS

Multiple illumination options  
Tactile or Non-tactile feel  
Multiple cap sizes

### APPLICATIONS / MARKETS

Computer Servers/peripherals  
Performance Audio  
Instrumentation  
Telecommunications/networking

### MECHANICAL SPECIFICATIONS

Mechanical Life:	1,000,000 cycles
Force:	250 +/- 100 gf
Travel:	4.50 +/- 0.2mm

### ELECTRICAL SPECIFICATIONS

Electrical Life:	1,000,000 cycles
Contact Rating:	100mA @ 12VDC
Contact Resistance:	200mΩ (initial max)
Insulation Resistance:	100MΩ (Min @ 500VDC)
Dielectric Strength:	500VAC

### ENVIRONMENTAL SPECIFICATIONS

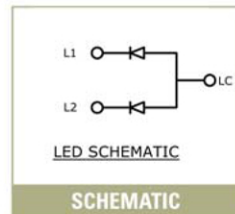
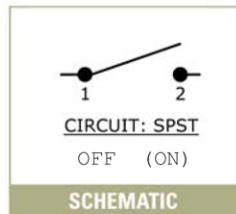
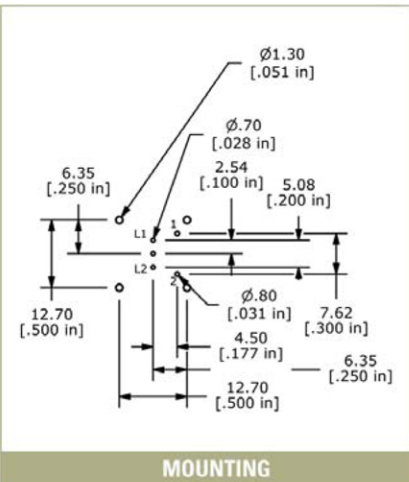
Operating Temperature:	-20°C to +70°C
Storage Temperature:	-20°C to +70°C

### HOW TO ORDER:

SERIES	FUNCTION STYLE	CIRCUIT	ACTUATION TYPE	CAP SIZE	CAP CONFIGURATION	LED COLORS
LP11	OA = Momentary	1 = SPST	N = Non Tactile T = Tactile Feel	A = 12 mm sq. B = 15 mm sq. C = 17.4 mm sq.	S = Sculptured	RR = RED-RED RG = RED-GRN RY = RED-YEL RB = RED-BLU RW = RED-WHT YY = YEL-YEL YG = YEL-GRN YB = YEL-BLU YW = YEL-WHT GG = GRN-GRN GB = GRN-BLU GW = GRN-WHT BB = BLU-BLU BW = BLU-WHT WW = WHT-WHT

Example Ordering Code: LP11-OA-1-N-B-S-RG

Specifications subject to change without notification.



LED SPECIFICATIONS						
LED PARAMETER	UNITS	RED	GREEN	YELLOW	BLUE	WHITE
Forward Current	mA	20	20	20	20	20
Forward Voltage @ 20mA	V	1.9 - 2.4	3.1 - 3.8	2.05 - 2.4	3.3 - 3.8	3.0 - 3.6
Luminous Intensity (Typ.)	mcd	40	250	70	70	500

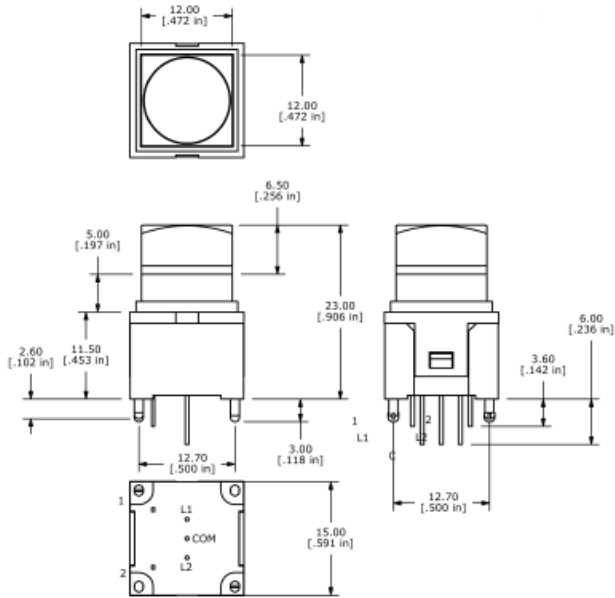
# SERIES LP11 SWITCHES



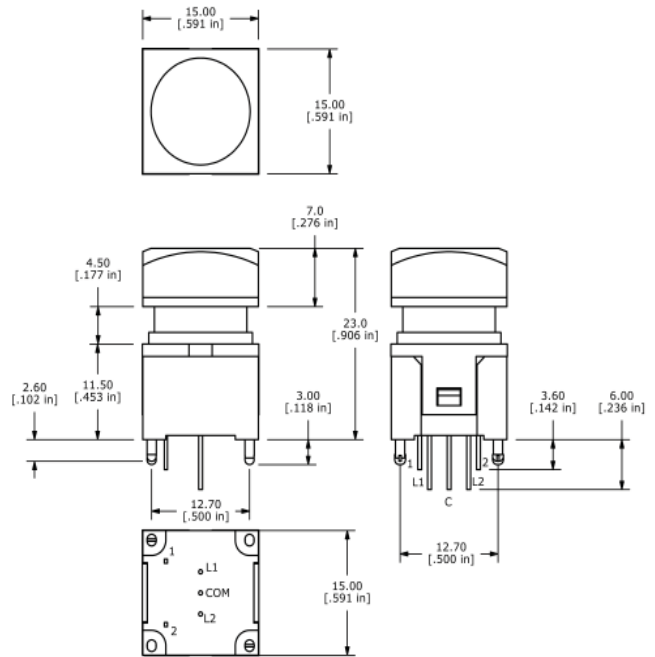
E-SWITCH™

## ILLUMINATED PUSHBUTTON

### CAP SIZE "A" - 12mm square



### CAP SIZE "B" - 15mm square



### CAP SIZE "C" - 17.4mm square

