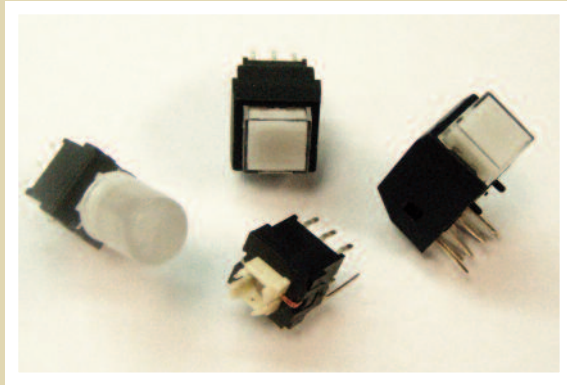


SERIES LP4 SWITCHES



ILLUMINATED PUSHBUTTON SWITCH



MECHANICAL SPECIFICATIONS

Mechanical Life:	50,000 cycles
Force:	250 ± 100 grams
Travel:	1.0mm ± 0.3mm LOCK; 1.5mm ± 0.3mm FULL

ELECTRICAL SPECIFICATIONS

Contact Rating:	30VDC, 0.1A
Contact Resistance (Initial Max.):	50milliohms max.
Insulation Resistance (min.@500V):	100megaohms min. @ 500VDC
Dielectric Strength (1 Min.):	500VAC

FEATURES & BENEFITS

- Latching and momentary options
- Illuminated
- Right angle and vertical mount options
- Multiple bezel and button designs

APPLICATIONS / MARKETS

- Telecommunications
- Consumer Electronics
- Audio/visual
- Medical
- Testing/instrumentation
- Computer/servers/peripherals

ENVIRONMENTAL SPECIFICATIONS

Operating Temperature:	-20°C to +70°C
------------------------	----------------

HOW TO ORDER

SERIES	FUNCTION STYLE	CIRCUIT	TERMINATION	HOUSING COLOR	CAP SIZE	CAP COLOR	LED COLOR OPTIONS
LP4	OA = Momentary EE = Latching	1 = DPDT	P = Vertical PCB Mount R = Right Angle PCB Mount*	B = Black W = White G = Gray	N = No Cap A = Square w/ Bezel B = Round w/ Bezel C = Round w/o Bezel	N = No Cap T = Transparent G = Green R = Red Y = Yellow B = Blue	N = No LED R = Red G = Green Y = Yellow B = Blue W = White

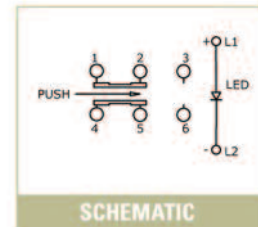
* Right angle only available in a square cap with bezel.

Example Ordering Number

LP4-OA-1-P-B-A-T-R

Specifications subject to change without notice.

LED SPECIFICATIONS					
	Blue	Red	Green	Yellow	White
Forward Current (mA)	5mA	20mA	20mA	20mA	20mA
Forward Voltage@20mA	2.9-4.0VDC	1.9-2.5VDC	2.1-2.5VDC	1.7-2.4VDC	3.5-4.0VDC
Luminous Intensity	9 mcd@5mA	200 mcd	45 mcd	350 mcd	2700 mcd



SERIES LP4 SWITCHES

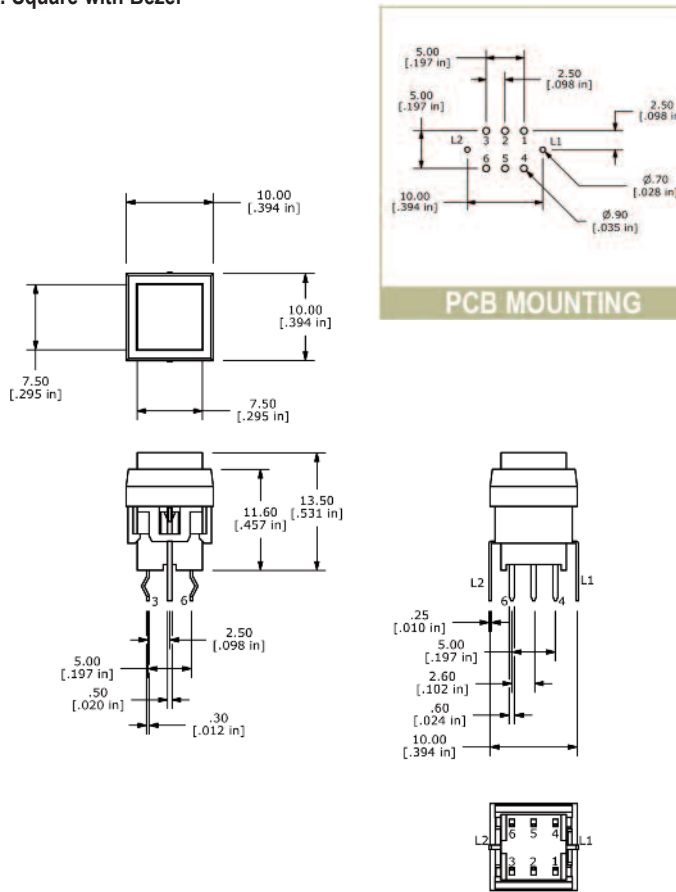
ILLUMINATED PUSHBUTTON SWITCH



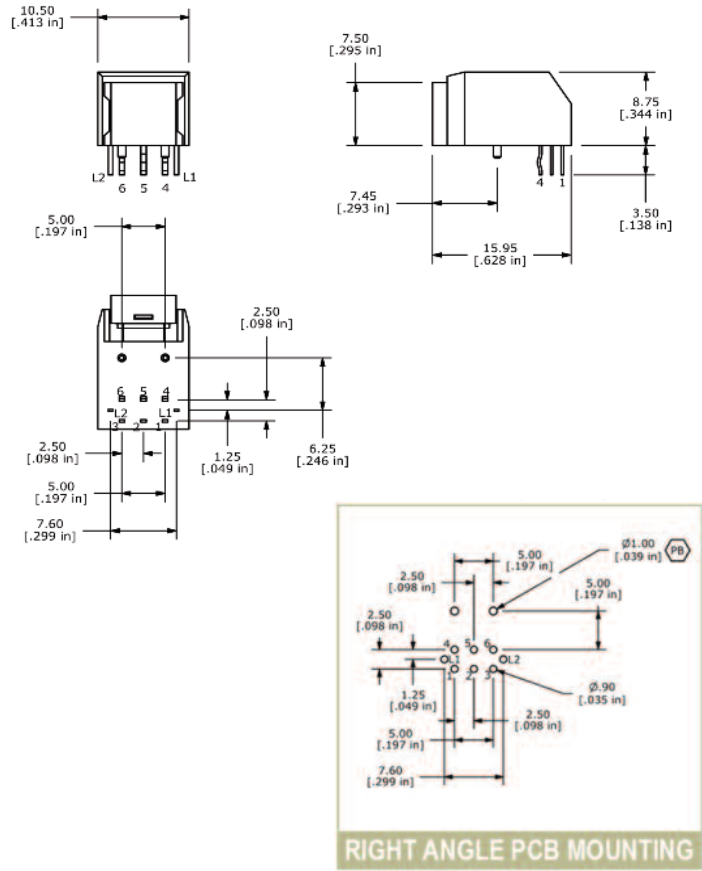
E-SWITCH™

CAP OPTIONS

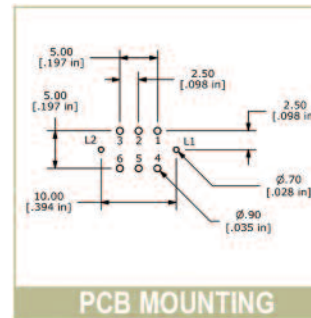
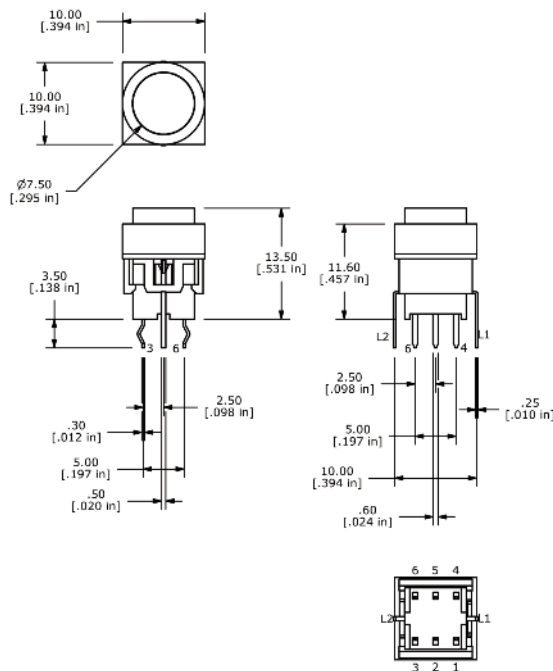
A. Square with Bezel



A. Square with Bezel - Right Angle



B. Round with Bezel



SERIES LP4 SWITCHES

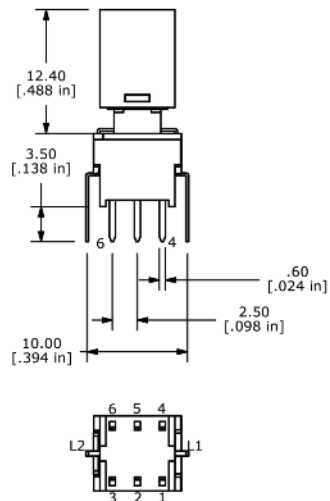
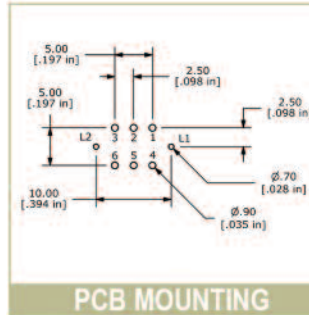
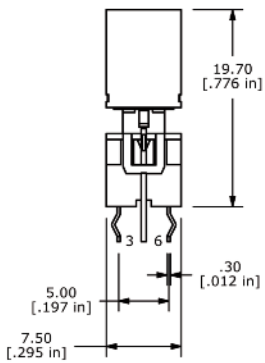
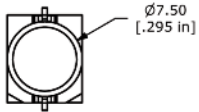
ILLUMINATED PUSHBUTTON SWITCH



E-SWITCH™

CAP OPTIONS (CONT.)

C. Round without Bezel



N. No Cap

