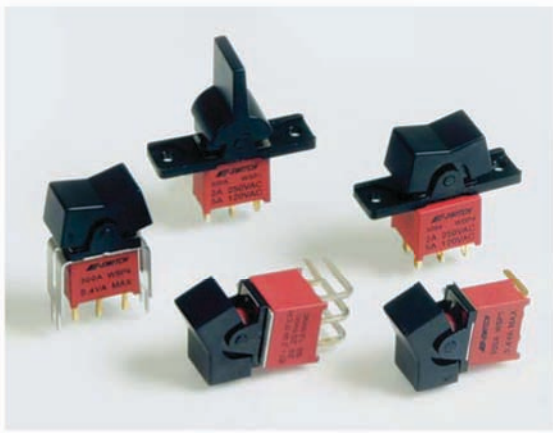


SERIES 300A SWITCHES

ROCKER AND PADDLE SWITCHES - MINIATURE



FEATURES & BENEFITS

- ▶ Multiple rocker & paddle options
- ▶ Multiple termination options
- ▶ Sealed to IP67

APPLICATIONS/MARKETS

- ▶ Telecommunications
- ▶ Instrumentation
- ▶ Test equipment
- ▶ Networking
- ▶ Computer peripherals

SPECIFICATIONS

Contact Rating:	Dependent upon contact material
Life Expectancy:	30,000 make-and-break cycles at full load
Contact Resistance:	10 mΩ I _{typ.} initial @ 2-4 V DC, 100 mA for both silver and gold plated contacts
Insulation Resistance:	1,000 MΩ I _{min.}
Dielectric Strength:	1,000 V RMS @ sea level
Operating Temperature:	-30° C to 85° C

MATERIALS

Housing:	Glass filled nylon, flame retardant, heat stabilized (UL 94-V0).
Actuator:	Nylon, black std. (UL 94-HB)
Actuator Seal:	Internal O-Ring
Switch Support:	Brass or steel, tin plated
Actuator Pivot & Mounting Bracket:	Nylon (UL 94-HB)
Actuator Pivot Retainer:	Stainless steel
Contacts / Terminals:	Silver or gold plated copper alloy
Terminal Seal:	Epoxy

HOW TO ORDER

SERIES	MODEL NO.	ACTUATOR	COLOR	TERMINATION	CONTACT MATERIAL	SEAL
300A	□ □ □ □ □	□ □ □ □ □	□ □ □	□ □	□	E
	WSP1 WSP2 WSP3 WSP4 WSP5 WDP1 WDP2 WDP3 WDP4 WDP5	<u>Panel Mount:</u> R1 R2 R11 R16	BLK =Black RED =Red WHT=White	M1 M3	Q = Silver R = Gold	E = Epoxy Sealed at Base of Terminal

(See Above Model No. Options)	<u>P.C. Mount:</u> J1 J2 J3 J4 J5 J6	BLK =Black RED =Red WHT=White	M2 M6 M7 VS2 VS3 M61 VS21	Q = Silver R = Gold	E = Epoxy Sealed at Base of Terminal
-------------------------------------	--	-------------------------------------	---	------------------------	---

▶ ▶ ▶ Example Ordering Number
300A-WSP5-R11-WHT-M1-Q-E

Specifications subject to change without notice.

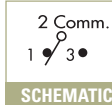
Actuator & Frame Colors:

Black, White, Red

Consult E-Switch for other colors and custom actuator marking.

MODEL NUMBER OPTIONS

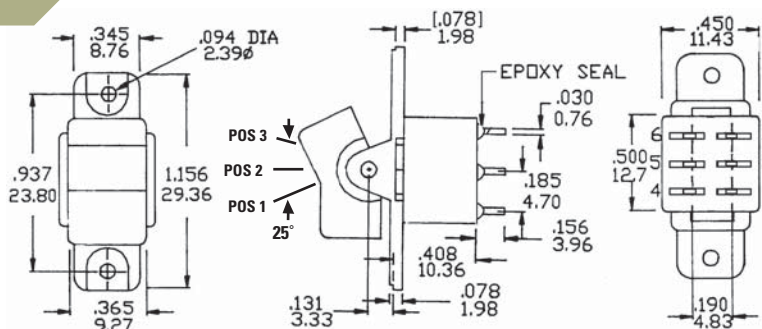
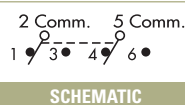
SPDT



Model No.	POS 1	POS 2	POS 3
WSP-1	ON	NONE	ON
WSP-2	ON	NONE	(ON)
WSP-3	ON	OFF	ON
WSP-4	(ON)	OFF	(ON)
WSP-5	ON	OFF	(ON)
Term. Comm.	2-3	OPEN	2-1

() = Momentary

DPDT



Model No.	POS 1	POS 2	POS 3
WDP-1	ON	NONE	ON
WDP-2	ON	NONE	(ON)
WDP-3	ON	OFF	ON
WDP-4	(ON)	OFF	(ON)
WDP-5	ON	OFF	(ON)
Term. Comm.	2-3, 5-6	OPEN	2-1, 5-4

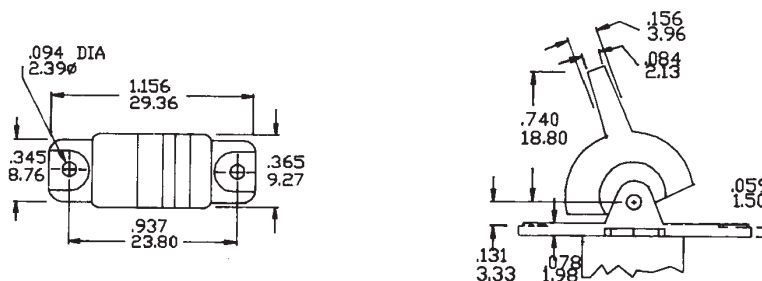
() = Momentary

ACTUATOR OPTIONS – PANEL MOUNT

R1



R2





SERIES 300A SWITCHES

ROCKER AND PADDLE SWITCHES - MINIATURE

TACT SWITCHES

NAVIGATION SWITCHES

PUSHBUTTON SWITCHES

TOGGLE SWITCHES

ROCKER SWITCHES

SLIDE SWITCHES

SNAP-ACTION SWITCHES

DIP SWITCHES

KEYLOCK SWITCHES

ROTARY SWITCHES

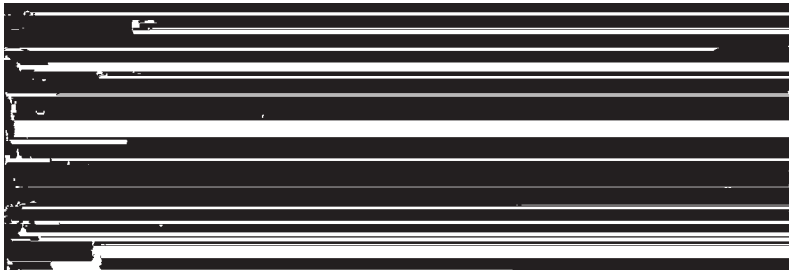
DETECTOR SWITCHES

CAP OPTIONS

R11

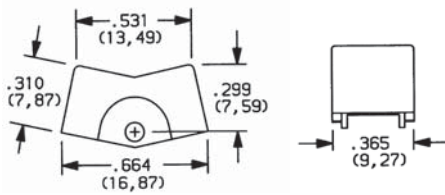


R16

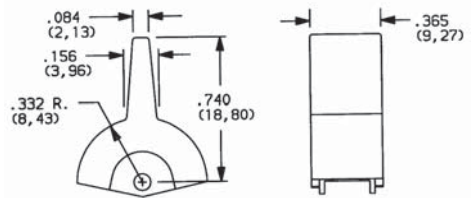


ACTUATOR OPTIONS - P.C. MOUNT

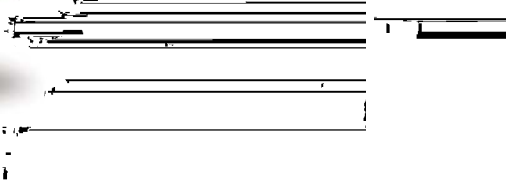
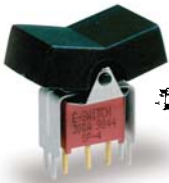
J1



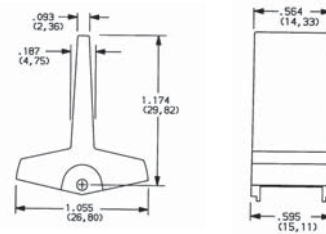
J2



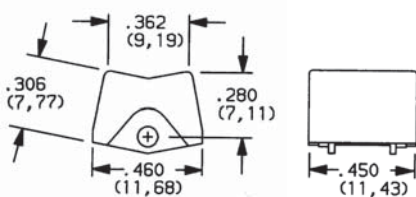
J3



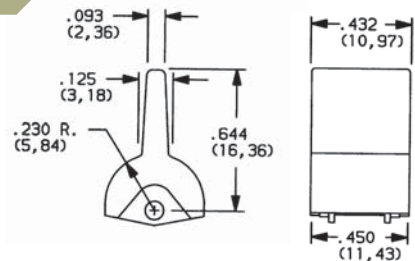
J4



J5



J6

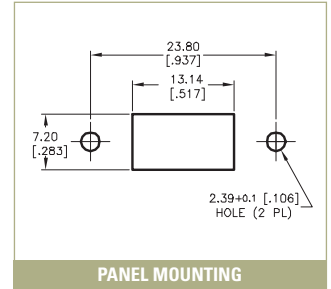
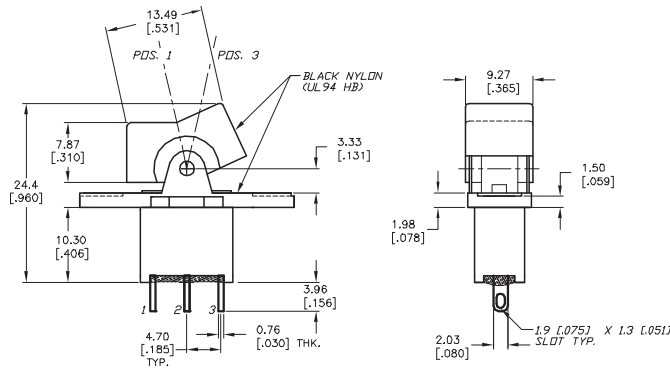




TERMINATION OPTIONS – PANEL MOUNT

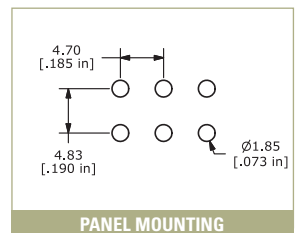
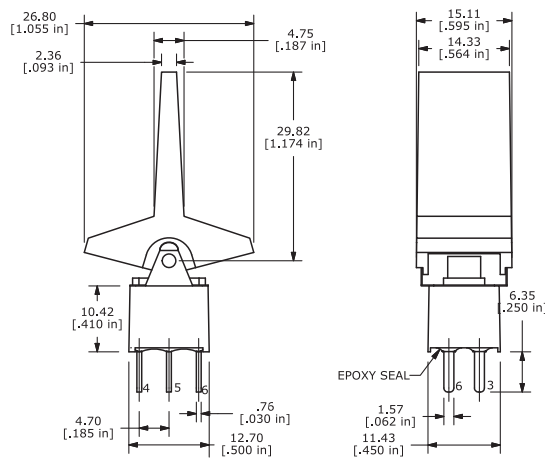
M1

STD



M3

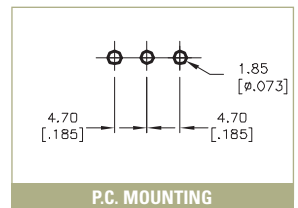
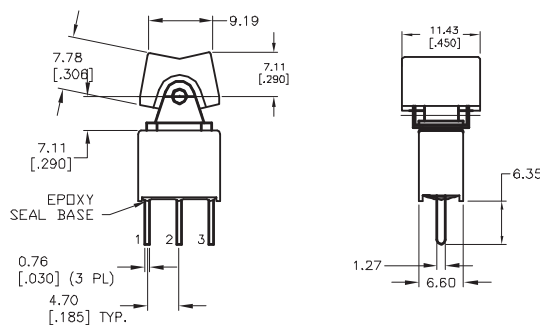
QUICK CONNECT



TERMINATION OPTIONS – P.C. MOUNT

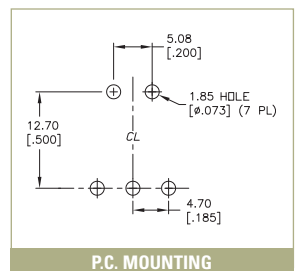
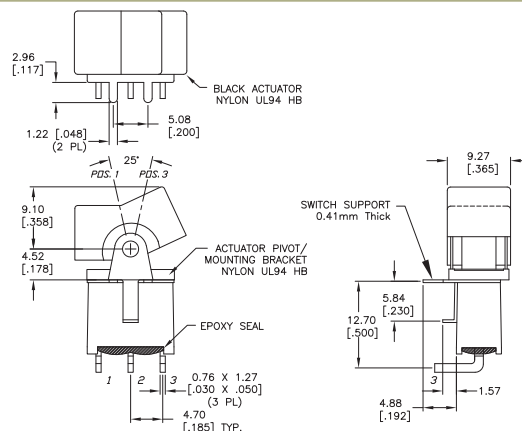
M2

STD



M6

SPDT





SERIES 300A SWITCHES

ROCKER AND PADDLE SWITCHES - MINIATURE

TACT SWITCHES

NAVIGATION SWITCHES

PUSHBUTTON SWITCHES

TOGGLE SWITCHES

ROCKER SWITCHES

SLIDE SWITCHES

SNAP-ACTION SWITCHES

DIP SWITCHES

KEYLOCK SWITCHES

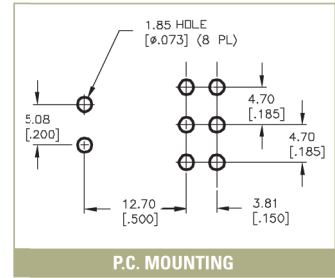
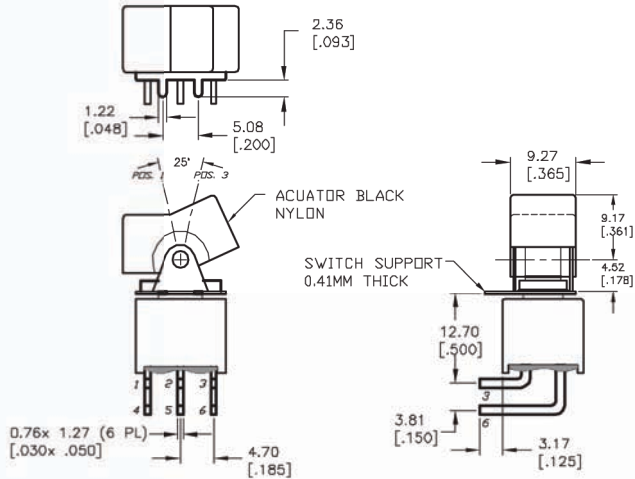
ROTARY SWITCHES

DETECTOR SWITCHES

CAP. OPTIONS

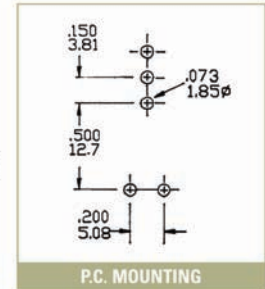
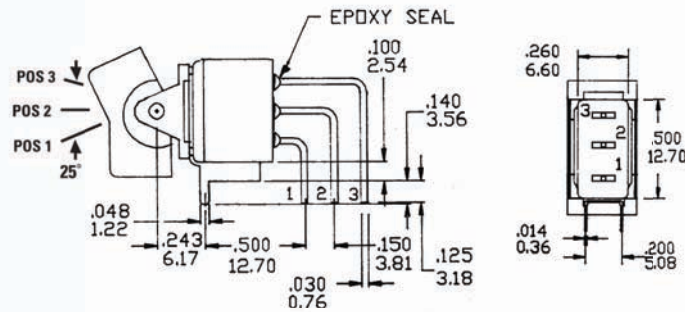
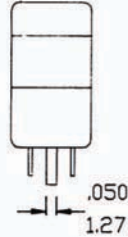
M6

DPDT



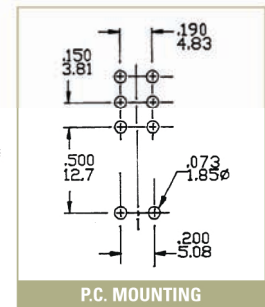
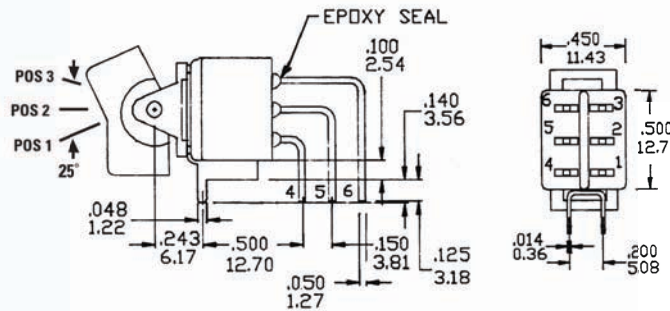
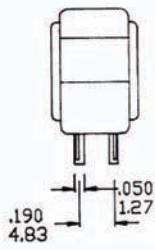
M7

SPDT



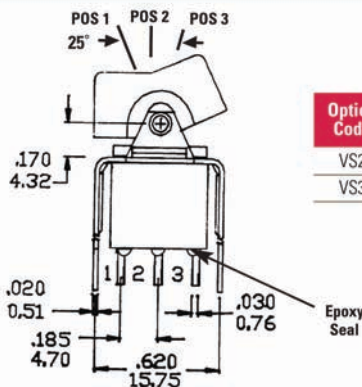
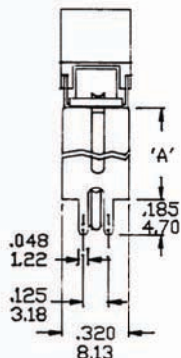
M7

DPDT

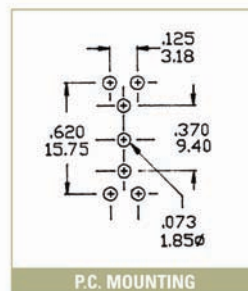


VS2-VS3

SPDT



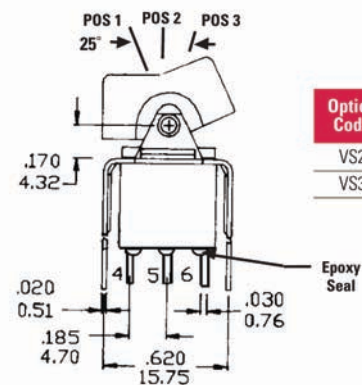
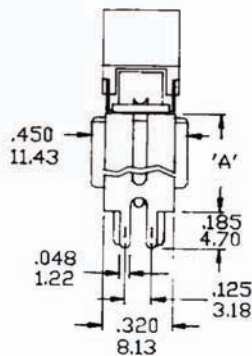
Option Code	Dim. 'A'
VS2	.460 (11.68)
VS3	.630 (15.00)



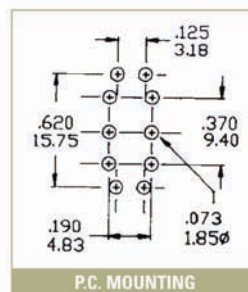
P.C. MOUNTING

VS2-VS3

DPDT



Option Code	Dim. 'A'
VS2	.460 (11.68)
VS3	.630 (15.00)



P.C. MOUNTING

CONTACT MATERIAL OPTIONS

Q

Fixed Terminal:	Gold flash over silver plated copper alloy
Moving Contact:	Silver plated copper alloy
Rating:	5 Amps with resistive load @ 120VAC or 28VDC; 2 Amps with resistive load @ 250VAC

R

Fixed Terminal:	Copper alloy with gold plate over nickel plate
Moving Contact:	Copper alloy with gold plate overnickel plate
Rating:	0.4 Volt-Amps (VA) max. @ 20V max. (AC or DC)