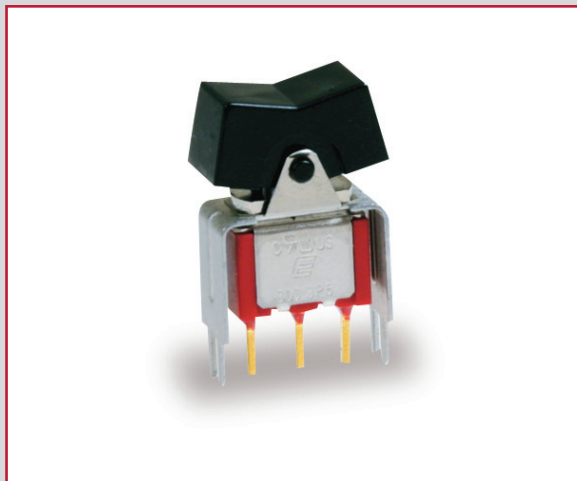
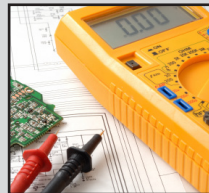


300 SERIES ROCKER SWITCH

ANTI-VANDAL SWITCHES
DETECTOR SWITCHES
DIP SWITCHES
KEYLOCK SWITCHES
NAVIGATION SWITCHES
PUSHBUTTON SWITCHES
ROCKER SWITCHES
ROTARY SWITCHES
SLIDE SWITCHES
SNAP ACTION SWITCHES
TACTILE SWITCHES
TOGGLE SWITCHES
CAP OPTIONS



APPLICATIONS / MARKETS



Testing Equipment



Computer Peripherals



Consumer Electronics



Telecommunication



Instrumentation



Medical Equipment

RoHS

SPECIFICATIONS

Contact Rating:

Silver: 5A @ 120VAC or 28 VDC
2A @ 250VAC

Gold: 0.4VA @ 20V Max (AC or DC)

Life Expectancy: 40,000 make or break cycles at full load

Contact Resistance: 10mΩ max. initial @ 2-4VDC,

100mA for both silver and gold plated contacts

Insulation Resistance: 1,000MΩ min.

Dielectric Strength: 1,000 V RMS @ sea level

Operating Temperature: -30°C to 85°C

FEATURES & BENEFITS

- Multiple rocker & paddle options
- Up to 4 poles
- Multiple termination options
- Snap-in panel mount option available

PART NUMBER CONFIGURATOR

| Series | Model No. | Acuator | Actuator Color** | Termination | Contact Material | Seal | Frame Color |
|--------|--|--|---|--|------------------------|--------------------------------------|--|
| 300 | SP1 SP2 SP3 SP4 SP5 DP1 DP2 DP3 DP4 DP5 DP6 DP7 DP8 3P1 3P2 3P3 3P4 3P5 4P1 4P2 4P3 4P4 4P5 4P6 | <u>Panel Mount</u> R1 R2 R3 R4 R6* R7* R8* R9* R11 R16 *Snap-in Panel Mount <u>PC Mount</u> J1 J2 J3 J4 J5 J6 | <u>Panel Mount</u> BLK - Black WHT - White RED - Red YEL - Yellow GRY - Gray <u>PC Mount</u> BLK - Black WHT - White RED - Red YEL - Yellow GRY - Gray | <u>Panel Mount</u> M1 M3 M51 M52 M53 M54 <u>PC Mount</u> M2 M6 M7 VS2 VS3 VS4 VS5 M61 VS21 | Q - Silver R - Gold | E - Epoxy sealed at base of terminal | (R6, R7 Only) BLK - Black WHT - White RED - Red YEL - Yellow GRY - Gray |

Specifications subject to change without notice



E-SWITCH®

www.e-switch.com

800.867.2717

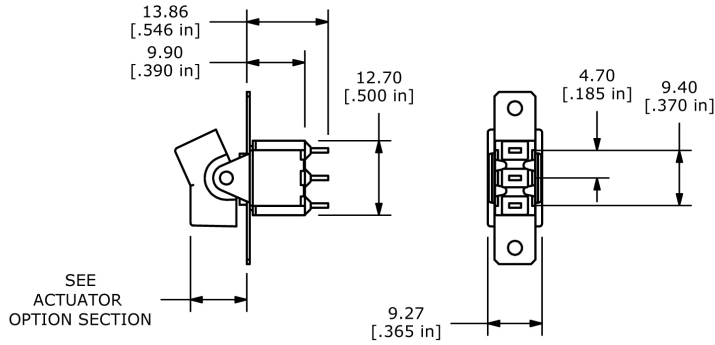
2

300 SERIES ROCKER SWITCH

Switch Functions

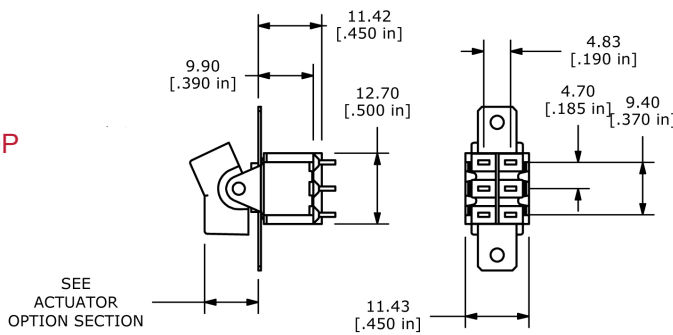
() = momentary

Single Pole - SP



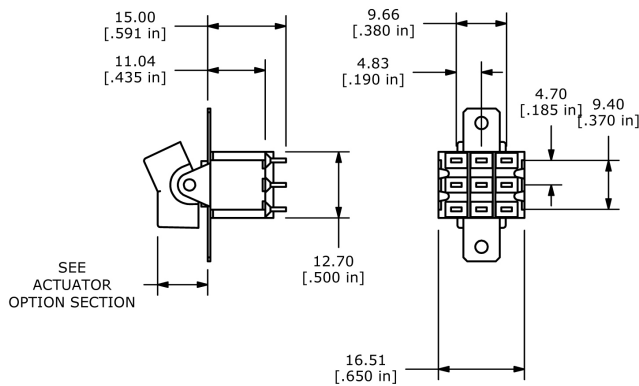
| MODEL NO. | POS. 1 | POS. 2 | POS. 3 |
|-------------|--------|--------|--------|
| SP1 | ON | NONE | ON |
| SP2 | ON | NONE | (ON) |
| SP3 | ON | OFF | ON |
| SP4 | (ON) | OFF | (ON) |
| SP5 | ON | OFF | (ON) |
| Term. Comm. | 2-3 | OPEN | 2-1 |

Double Pole - DP



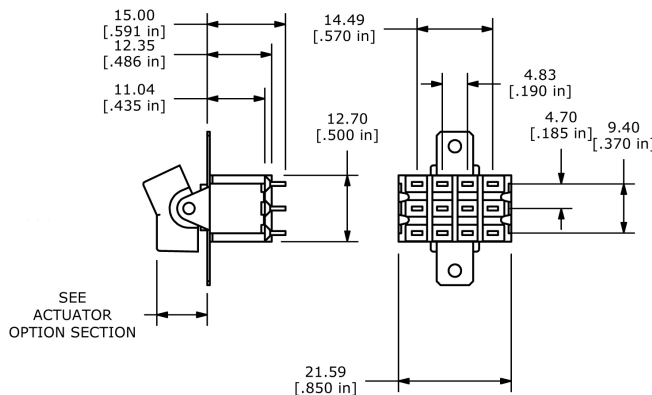
| MODEL NO. | POS. 1 | POS. 2 | POS. 3 |
|-------------|----------|----------|----------|
| DP1 | ON | NONE | ON |
| DP2 | ON | NONE | (ON) |
| DP3 | ON | OFF | ON |
| DP4 | (ON) | OFF | (ON) |
| DP5 | ON | OFF | (ON) |
| DP7 | ON | ON | (ON) |
| DP8 | (ON) | ON | (ON) |
| Term. Comm. | 2-3, 5-6 | OPEN | 2-1, 5-4 |
| Term. Comm. | 2-3, 5-6 | 2-3, 5-4 | 2-1, 5-4 |

Triple Pole - 3P



| MODEL NO. | POS. 1 | POS. 2 | POS. 3 |
|-------------|---------------|--------|---------------|
| 3P1 | ON | NONE | ON |
| 3P2 | ON | NONE | (ON) |
| 3P3 | ON | OFF | ON |
| 3P4 | (ON) | OFF | (ON) |
| 3P5 | ON | OFF | (ON) |
| Term. Comm. | 2-3, 5-6, 8-9 | OPEN | 2-1, 5-4, 8-7 |

Four Pole - 4P



| MODEL NO. | POS. 1 | POS. 2 | POS. 3 |
|-------------|----------------------|----------------------|----------------------|
| 4P1 | ON | NONE | ON |
| 4P2 | ON | NONE | (ON) |
| 4P3 | ON | OFF | ON |
| 4P4 | (ON) | OFF | (ON) |
| 4P5 | ON | OFF | (ON) |
| Term. Comm. | 2-3, 5-6, 8-9, 11-12 | OPEN | 2-1, 5-4, 8-7, 11-10 |
| 4P6 | ON | ON | ON |
| Term. Comm. | 2-3, 5-6, 8-9, 11-12 | 2-3, 5-4, 8-9, 11-10 | 2-1, 5-4, 8-7, 11-10 |

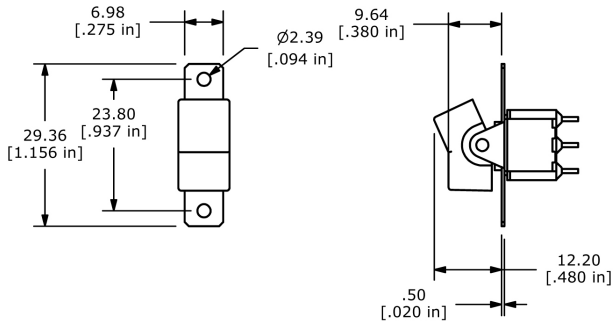


ANTI-VANDAL SWITCHES
DETECTOR SWITCHES
DIP SWITCHES
KEYLOCK SWITCHES
NAVIGATION SWITCHES
PUSHBUTTON SWITCHES
ROCKER SWITCHES
ROTARY SWITCHES
SLIDE SWITCHES
SNAP ACTION SWITCHES
TACTILE SWITCHES
TOGGLE SWITCHES
CAP OPTIONS

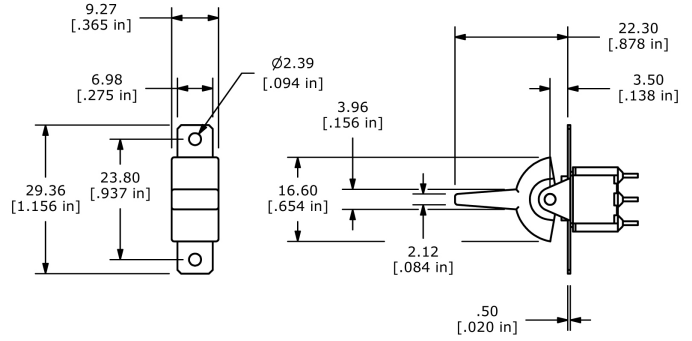
300 SERIES ROCKER SWITCH

Panel Mount Actuator

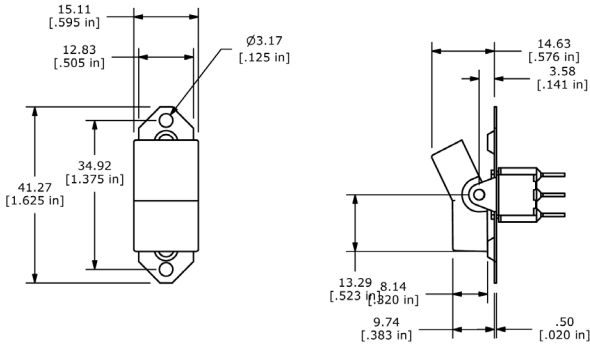
R1 Actuator



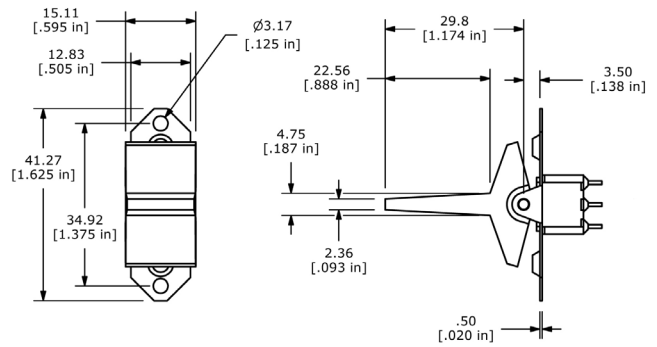
R2 Actuator



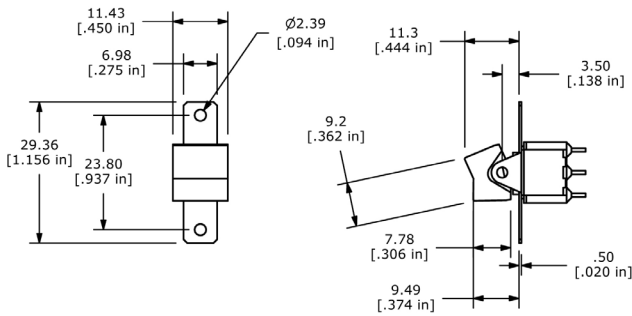
R3 Actuator



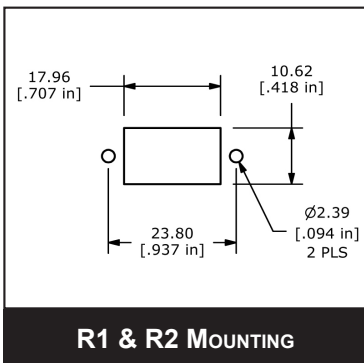
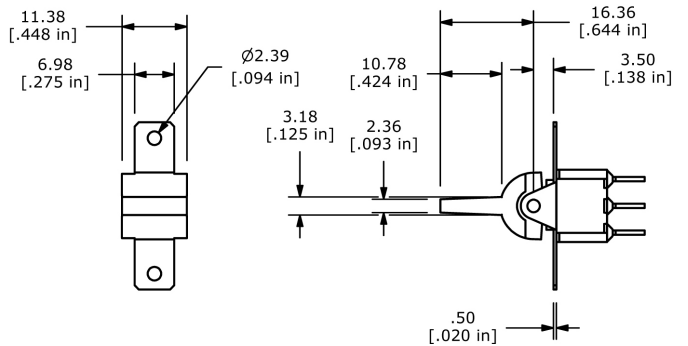
R4 Actuator



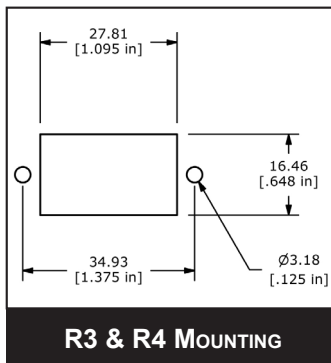
R11 Actuator



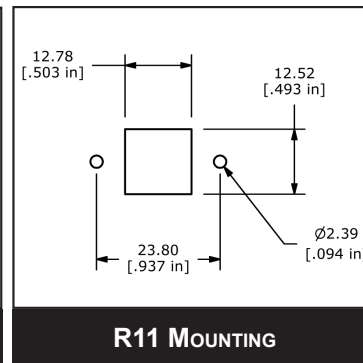
R16 Actuator



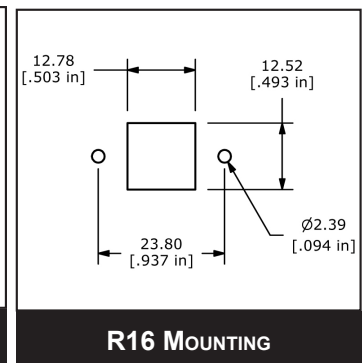
R1 & R2 MOUNTING



R3 & R4 MOUNTING



R11 MOUNTING



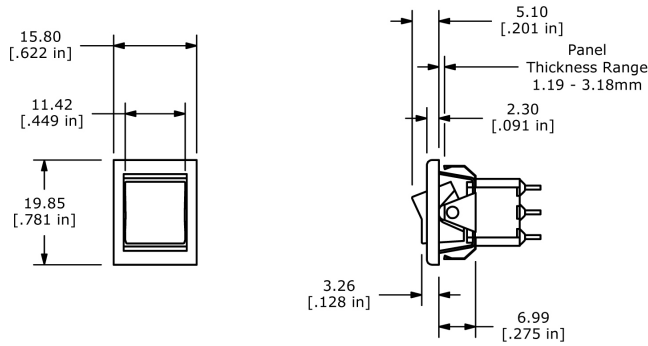
R16 MOUNTING



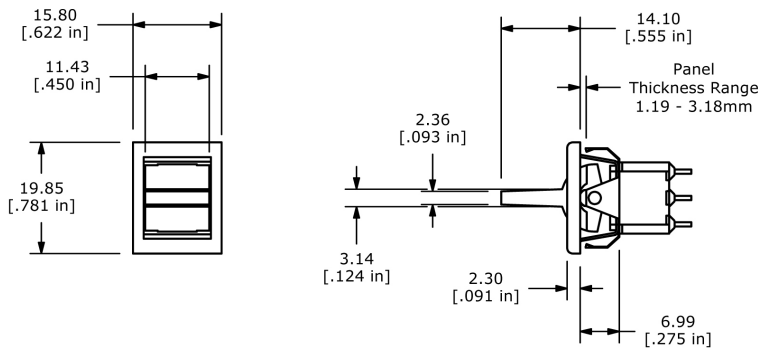
300 SERIES ROCKER SWITCH

Snap-in Panel Mount Actuator

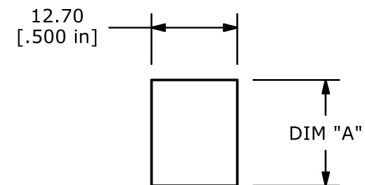
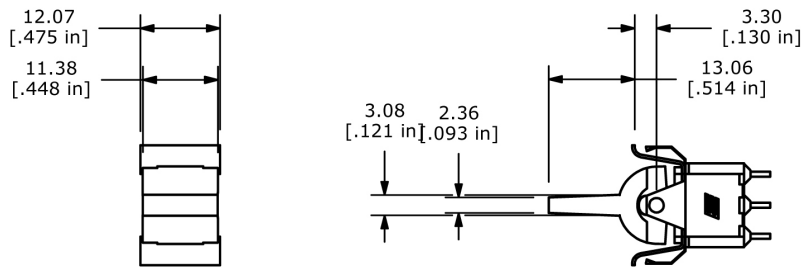
R6 Actuator



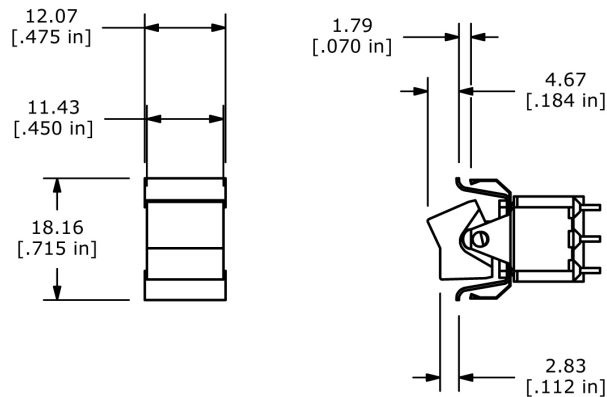
R7 Actuator



R8 Actuator



R9 Actuator



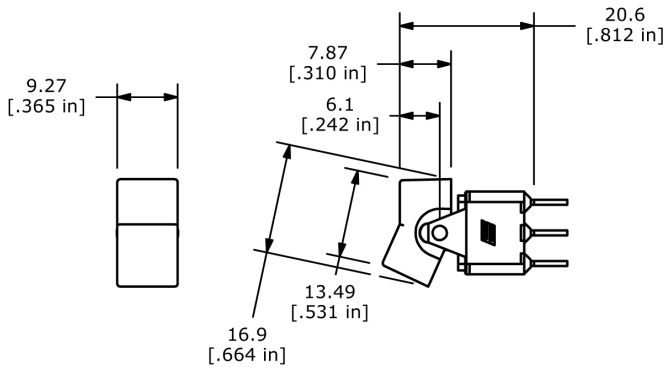
| ACTUATOR OPTION | PANEL THICKNESS | DIM "A" |
|-----------------|--------------------------|-----------------|
| R6 or R7 | 1.19-1.51 [.047-.060] | 15.70 [.619] |
| R6 or R7 | 1.52-3.18 [.061-.125] | 15.85 [.624] |
| R8 or R9 | 1.19-2.29 [.047-.090] | 15.70 [.619] |
| R8 or R9 | 2.30-3.18 [.091-.125] | 15.85 [.624] |



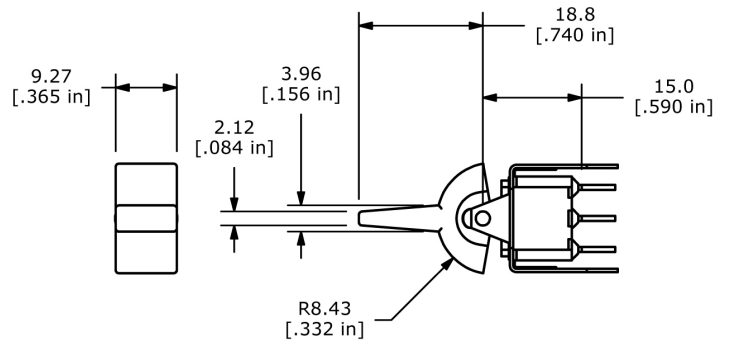
300 SERIES ROCKER SWITCH

PC Mount Actuator

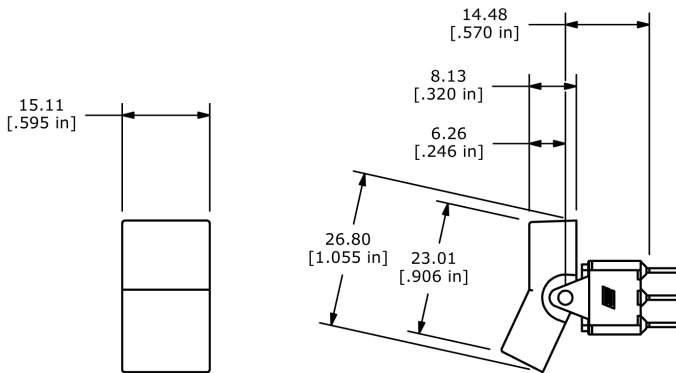
J1 Actuator



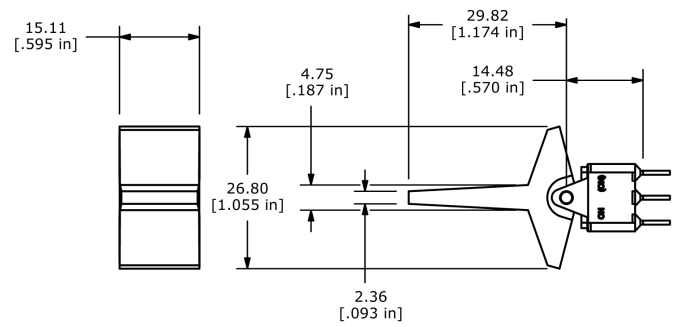
J2 Actuator



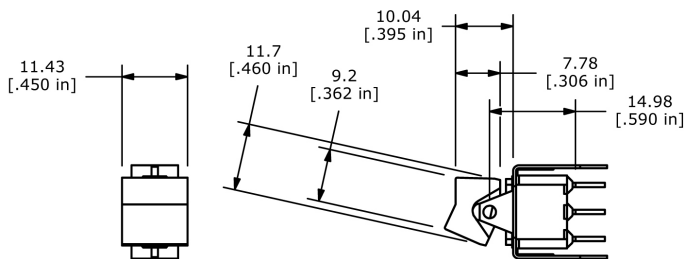
J3 Actuator



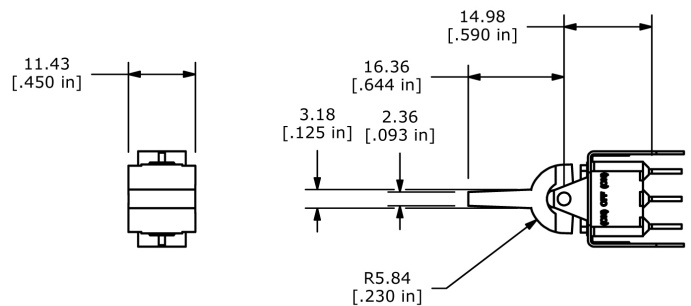
J4 Actuator



J5 Actuator



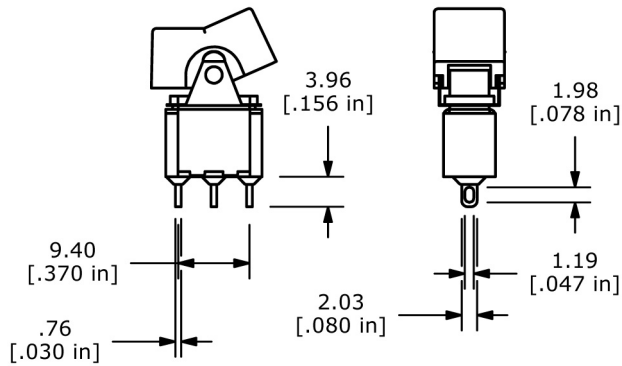
J6 Actuator



300 SERIES ROCKER SWITCH

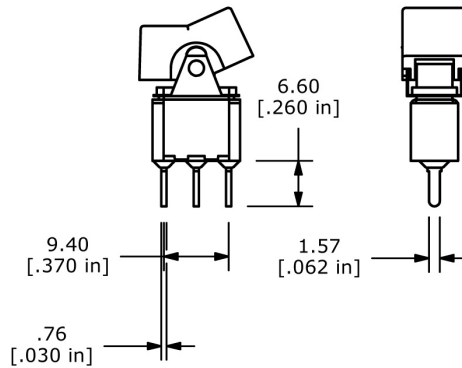
Panel Mount Termination

M1 Termination

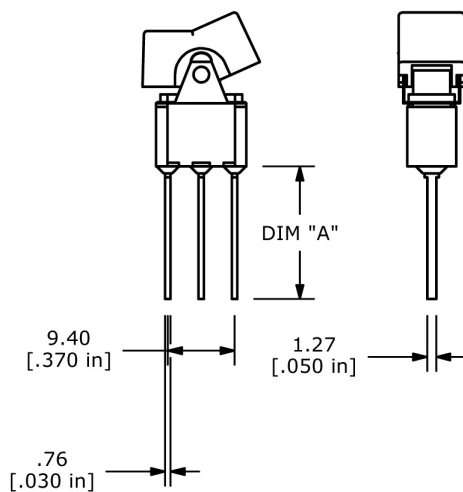


See Switch Function details (page 3) for complete terminal spacing dimensions for DP, 3P, and 4P switch models.

M3 Termination



M5 Termination



| OPTION | DIM "A" |
|--------|------------------|
| M51 | 18.70 [.736] |
| M52 | 24.20 [.953] |
| M53 | 10.55 [.415] |
| M54 | 26.97 [1.062] |



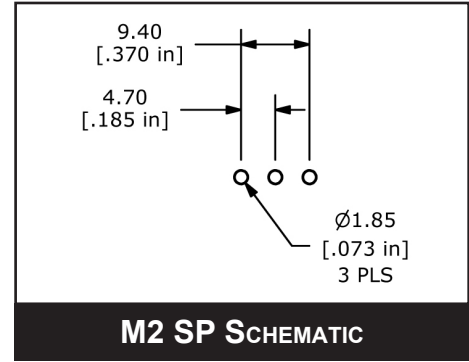
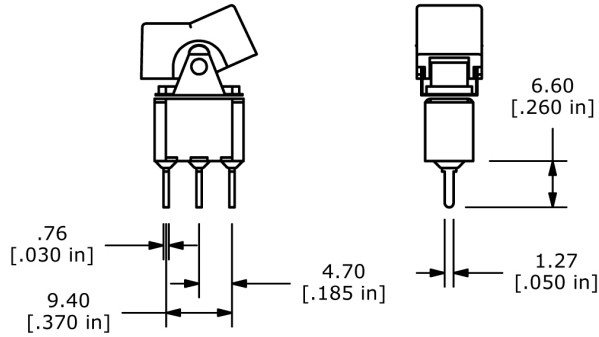
ANTI-VANDAL SWITCHES
DETECTOR SWITCHES
DIP SWITCHES
KEYLOCK SWITCHES
NAVIGATION SWITCHES
PUSHBUTTON SWITCHES
ROCKER SWITCHES
ROTARY SWITCHES
SLIDE SWITCHES
SNAP ACTION SWITCHES
TACTILE SWITCHES
TOGGLE SWITCHES
CAP OPTIONS

300 SERIES ROCKER SWITCH

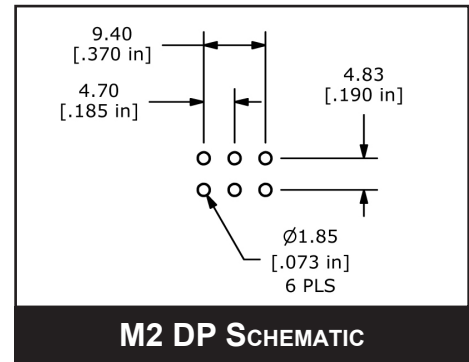
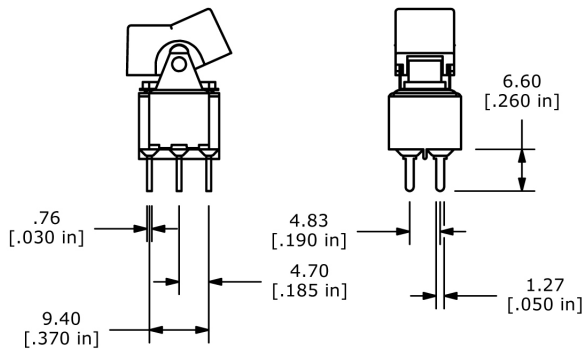
PC Mount M2 Termination

- ANTI-VANDAL SWITCHES
- DETECTOR SWITCHES
- DIP SWITCHES
- KEYLOCK SWITCHES
- NAVIGATION SWITCHES
- PUSHBUTTON SWITCHES
- ROCKER SWITCHES**
- ROTARY SWITCHES
- SLIDE SWITCHES
- SNAP ACTION SWITCHES
- TACTILE SWITCHES
- TOGGLE SWITCHES
- CAP OPTIONS

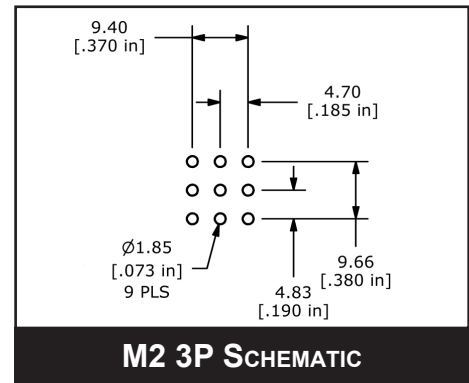
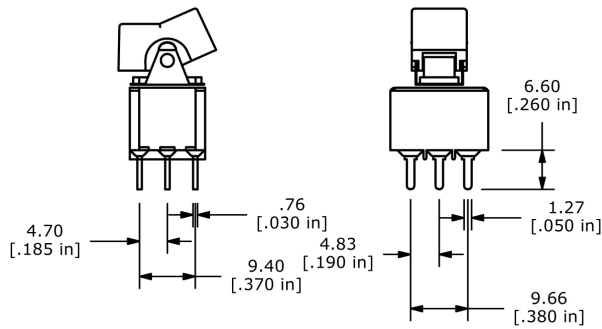
M2 Termination - SP



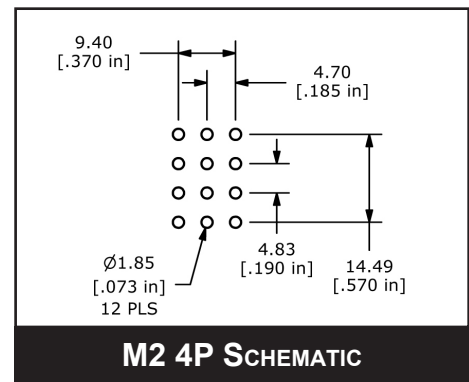
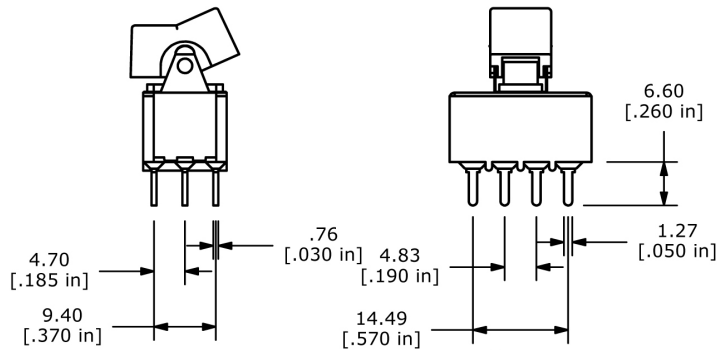
M2 Termination - DP



M2 Termination - 3P



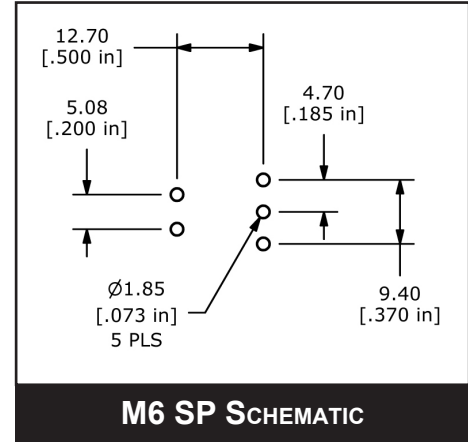
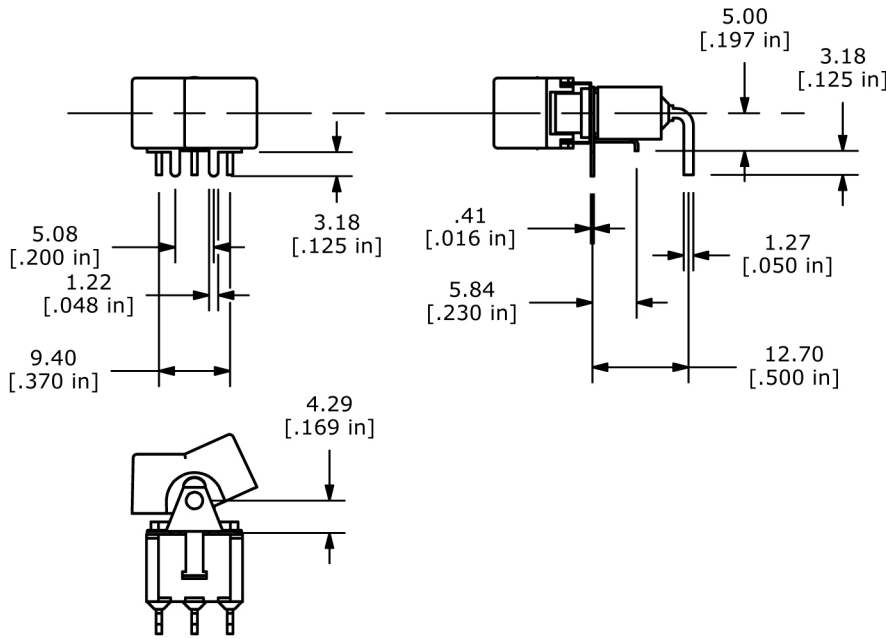
M2 Termination - 4P



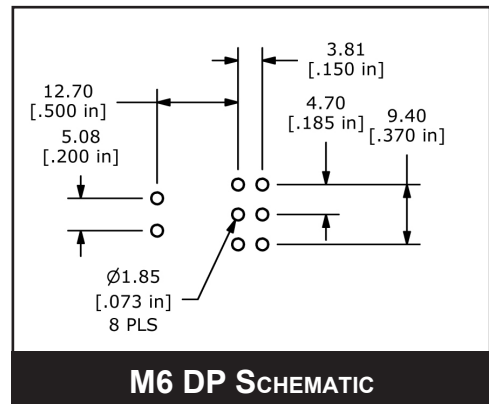
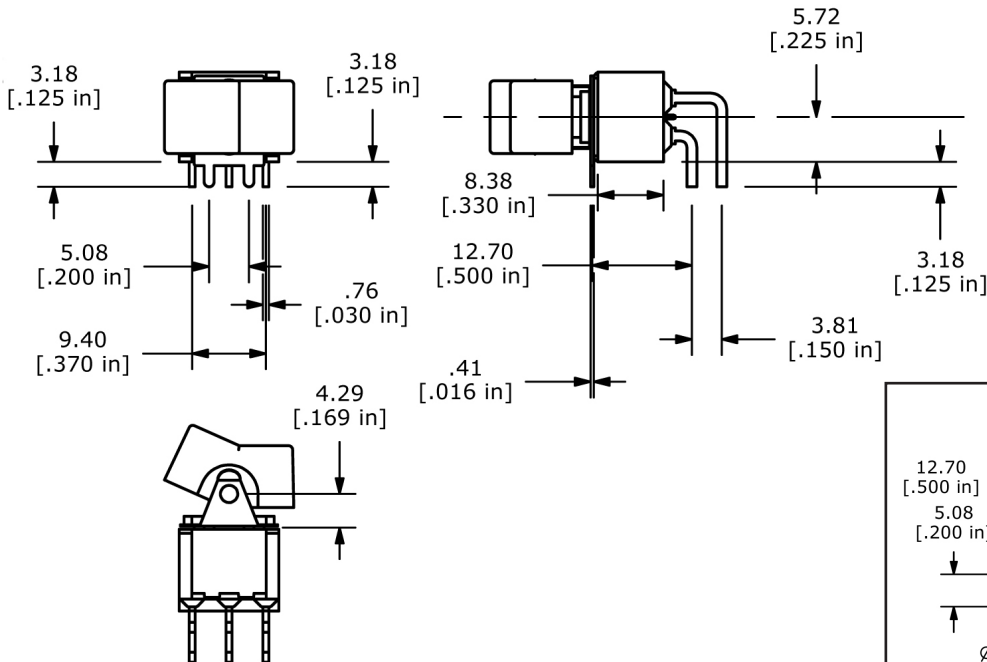
300 SERIES ROCKER SWITCH

PC Mount M6 Termination

M6 Termination - SP



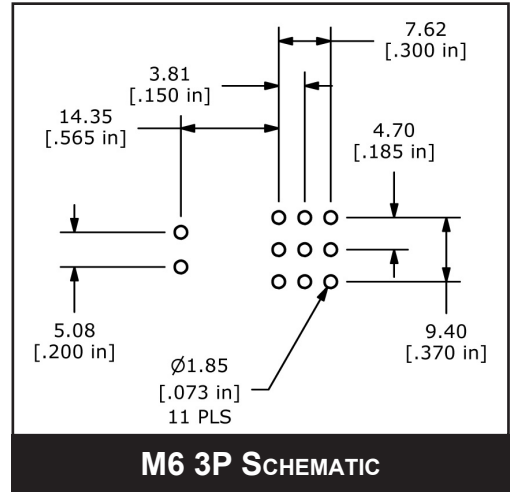
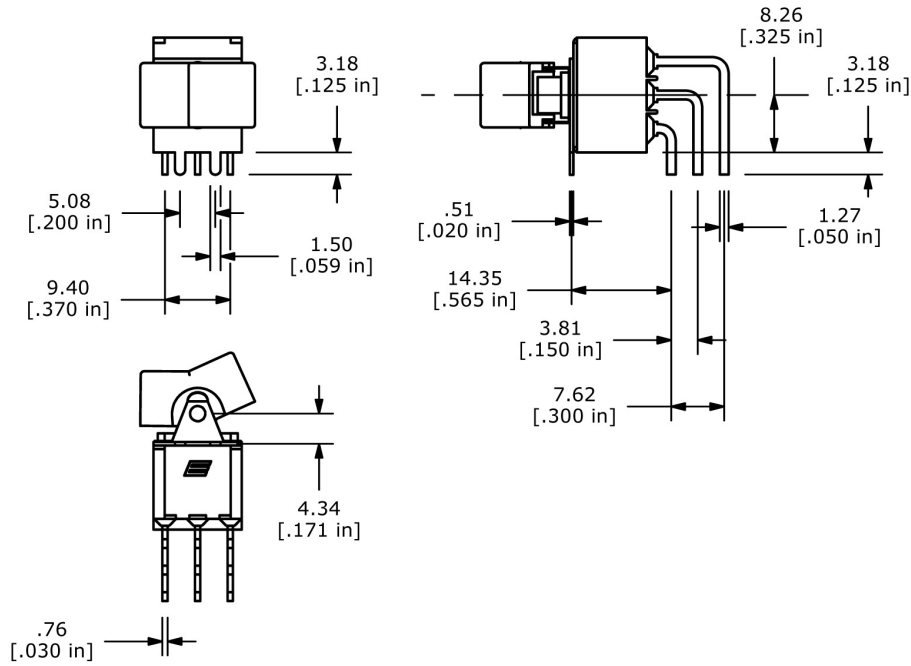
M6 Termination - DP



300 SERIES ROCKER SWITCH

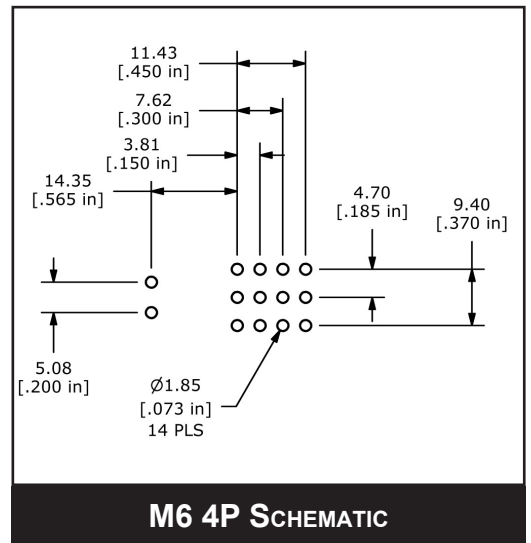
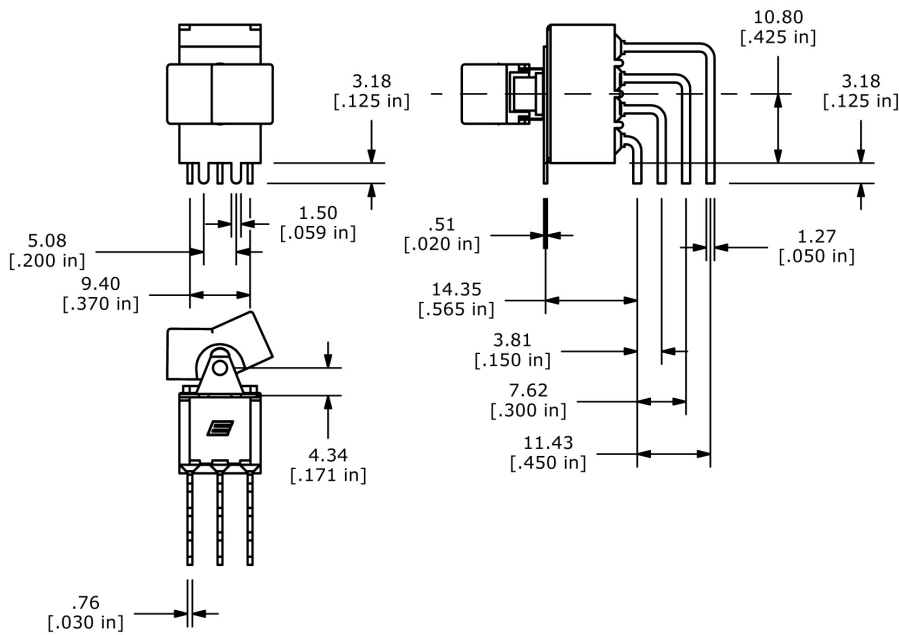
PC Mount M6 Termination

M6 Termination - 3P



M6 3P SCHEMATIC

M6 Termination - 4P



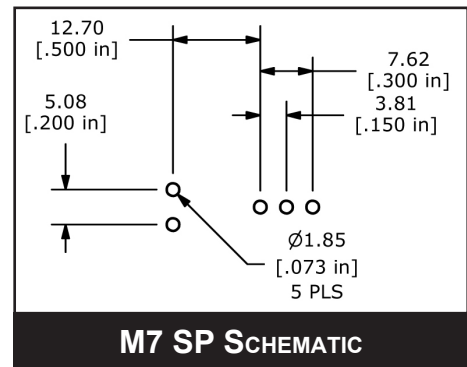
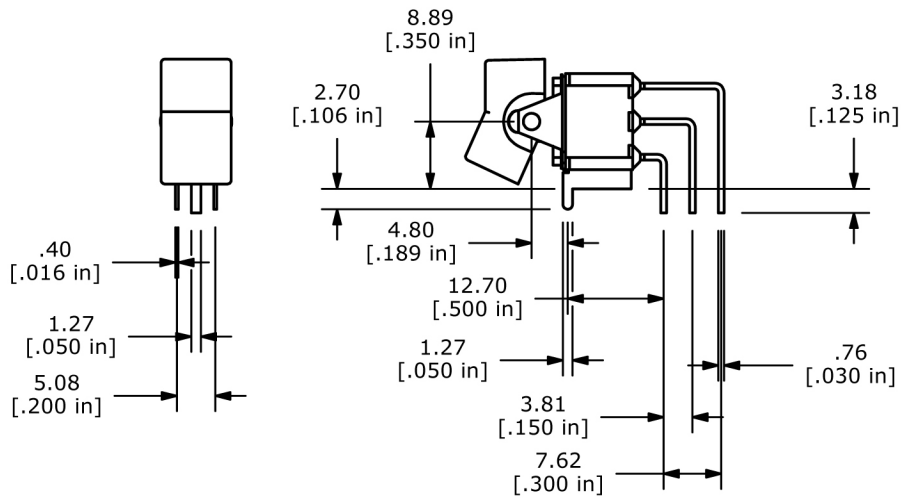
M6 4P SCHEMATIC



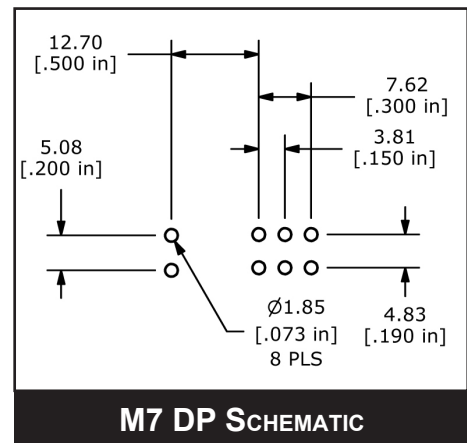
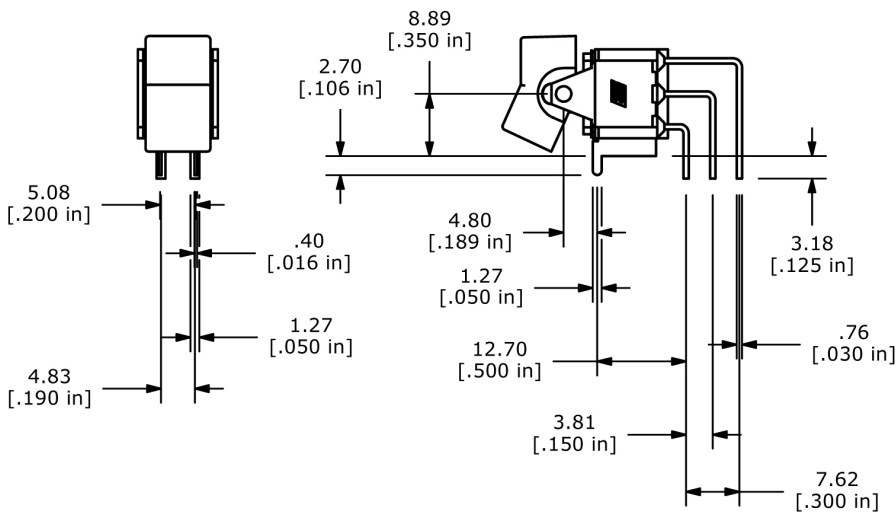
300 SERIES ROCKER SWITCH

PC Mount M7 Termination

M7 Termination - SP



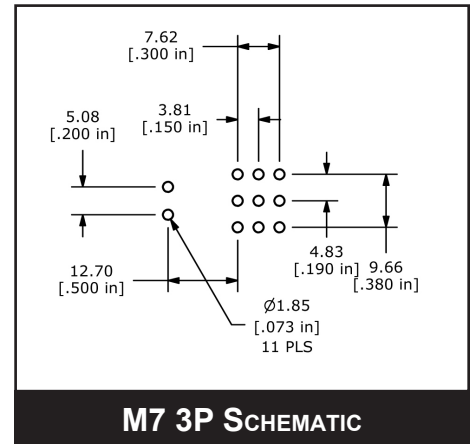
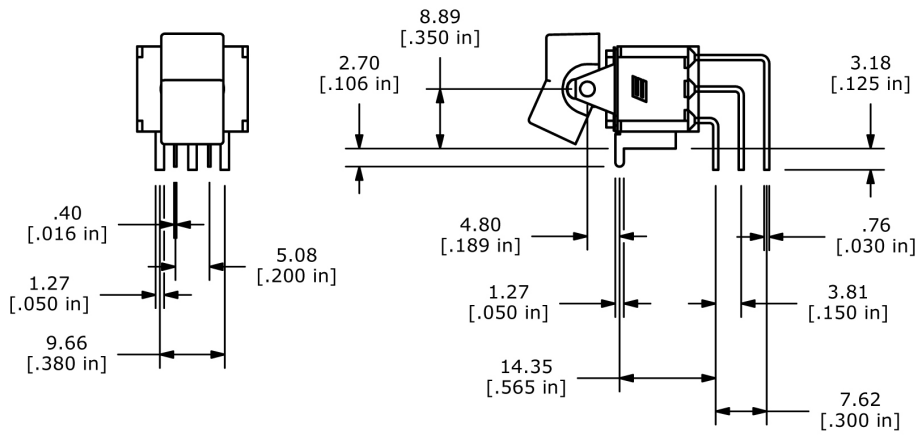
M7 Termination - DP



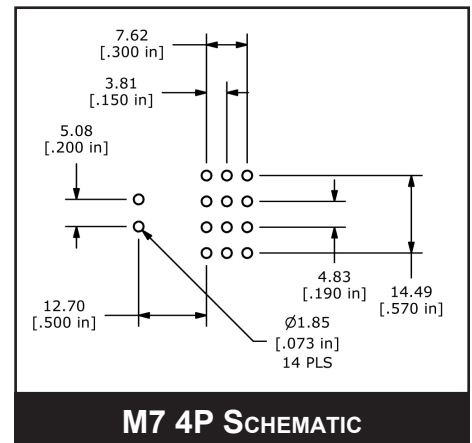
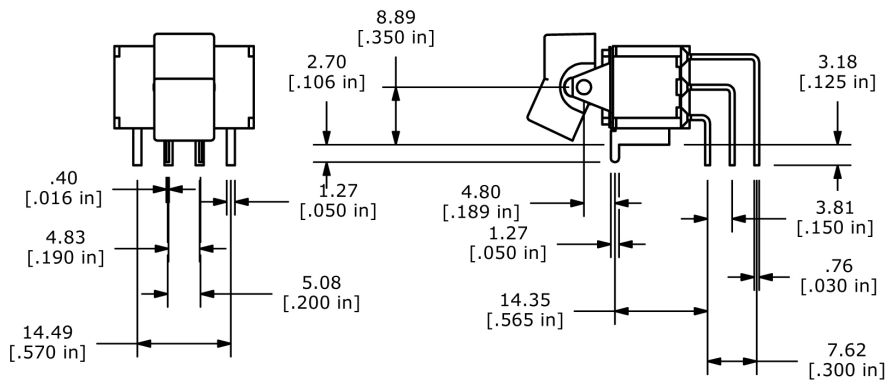
300 SERIES ROCKER SWITCH

PC Mount M7 Termination Options

M7 Termination - 3P



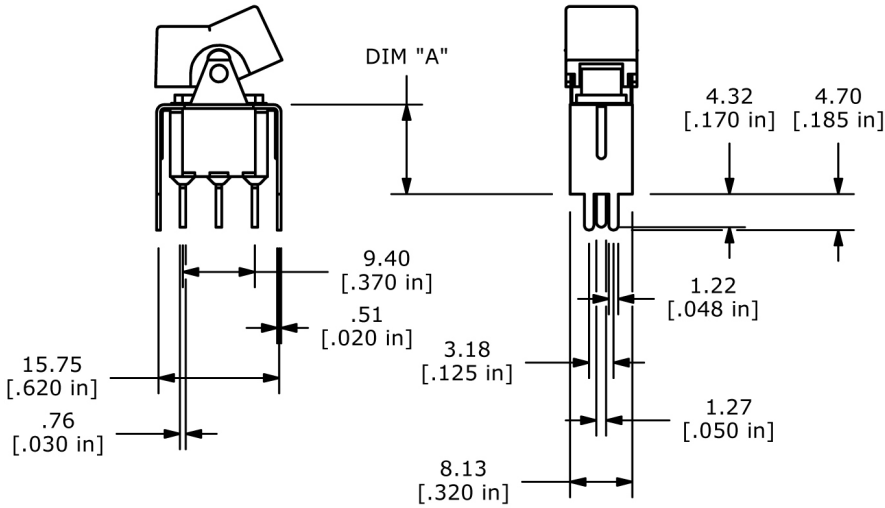
M7 Termination - 4P



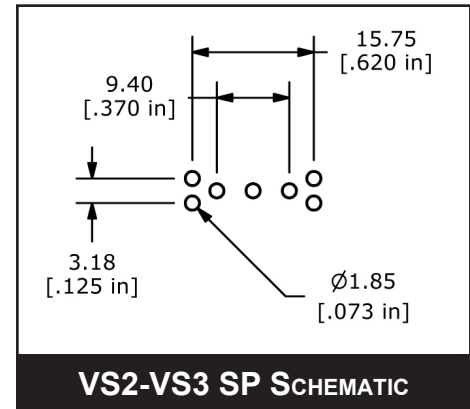
300 SERIES ROCKER SWITCH

PC Mount VS2-VS3 Termination

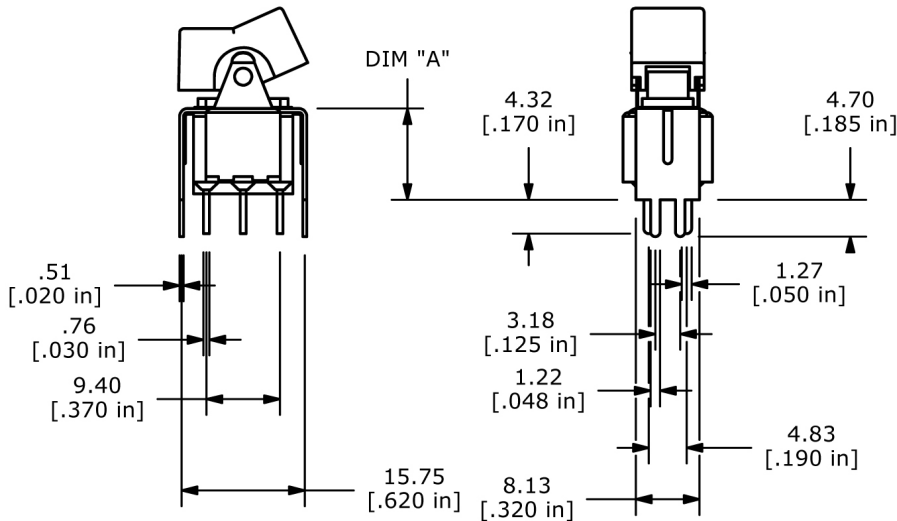
VS2-VS3 Termination - SP



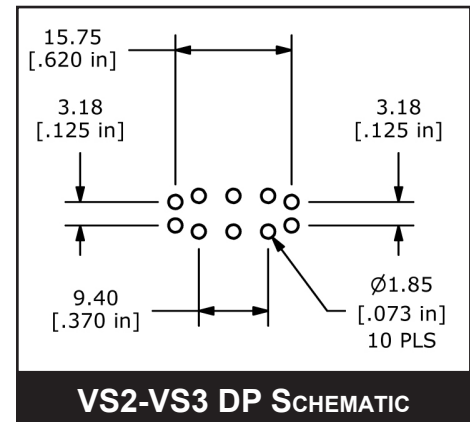
| OPTION | DIM "A" |
|--------|-----------------|
| VS2 | 11.68 [.460] |
| VS3 | 16.00 [.630] |



VS2-VS3 Termination - DP



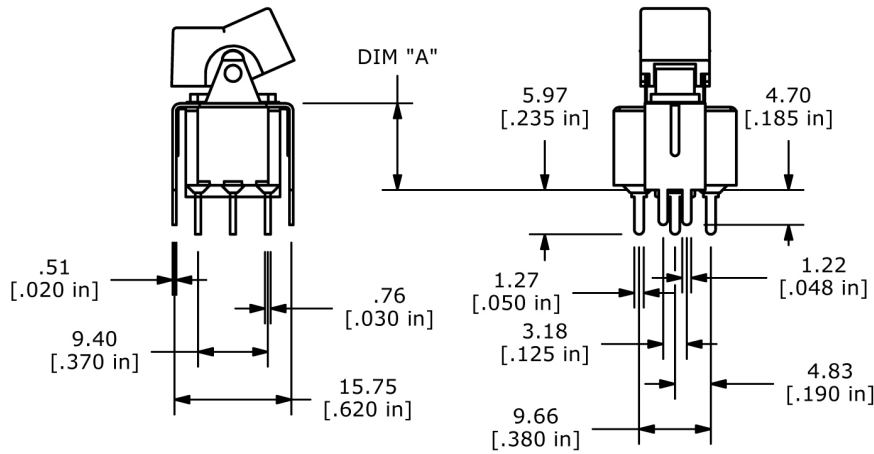
| OPTION | DIM "A" |
|--------|-----------------|
| VS2 | 11.68 [.460] |
| VS3 | 16.00 [.630] |



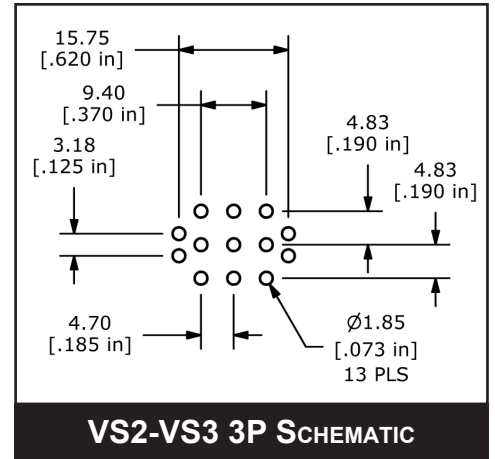
300 SERIES ROCKER SWITCH

PC Mount VS2-VS3 Termination

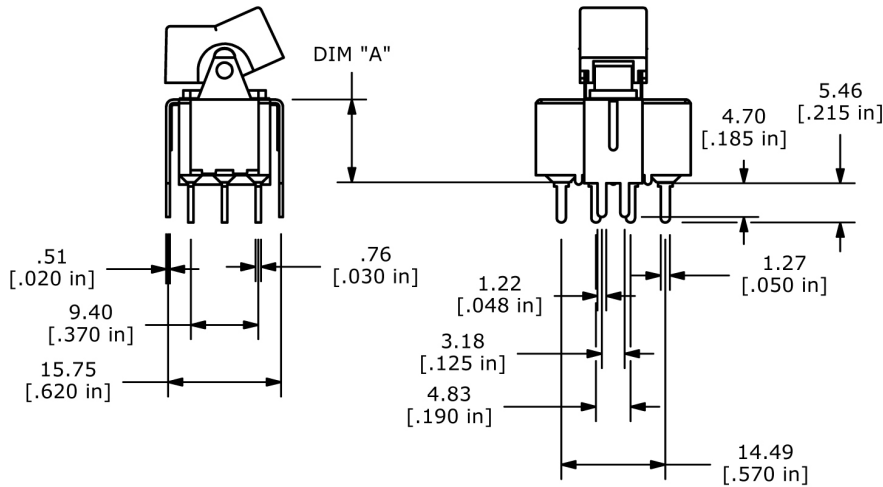
VS2-VS3 Termination - 3P



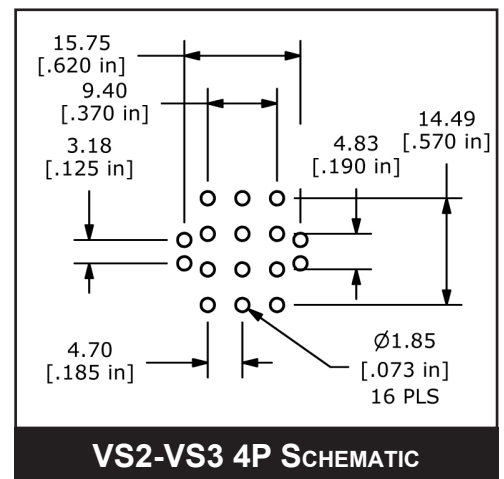
| OPTION | DIM "A" |
|--------|-----------------|
| VS2 | 11.68 [.460] |
| VS3 | 16.00 [.630] |



VS2-VS3 Termination - 4P



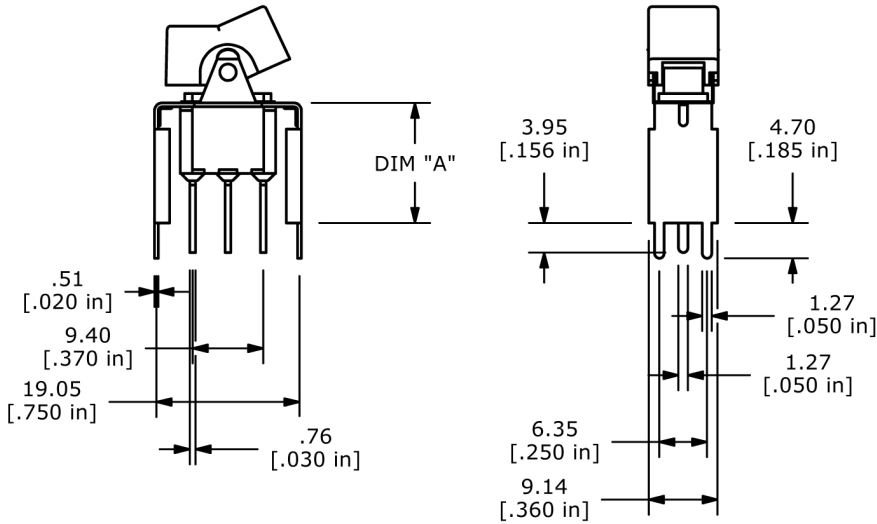
| OPTION | DIM "A" |
|--------|-----------------|
| VS2 | 11.68 [.460] |
| VS3 | 16.00 [.630] |



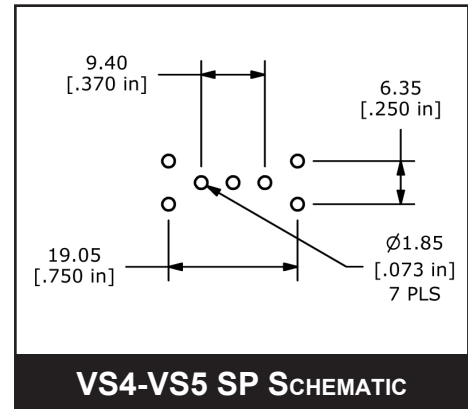
300 SERIES ROCKER SWITCH

PC Mount VS4-VS5 Termination

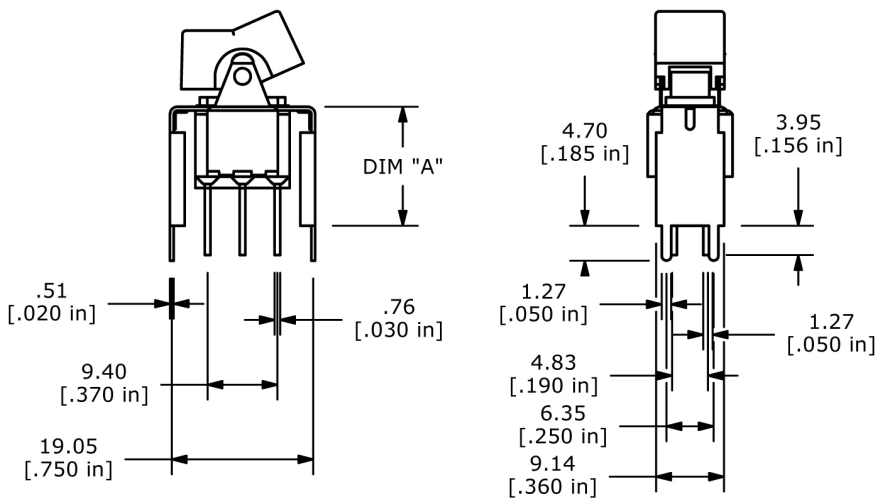
VS4-VS5 Termination - SP



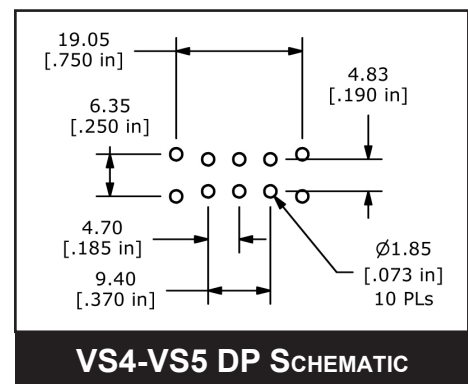
| OPTION | DIM "A" |
|--------|-----------------|
| VS4 | 11.68 [.460] |
| VS5 | 16.00 [.630] |



VS4-VS5 Termination - DP



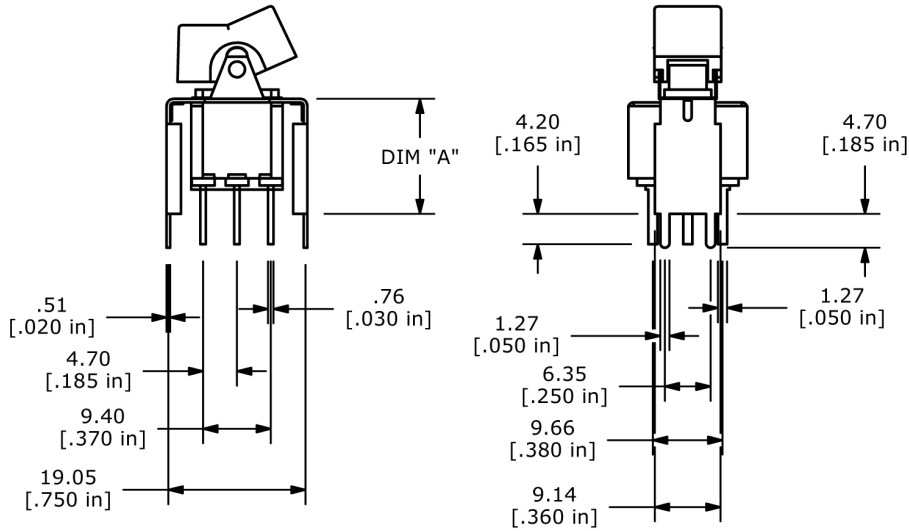
| OPTION | DIM "A" |
|--------|-----------------|
| VS4 | 11.68 [.460] |
| VS5 | 16.00 [.630] |



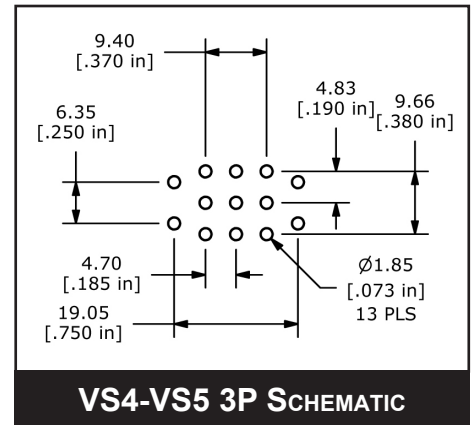
300 SERIES ROCKER SWITCH

PC Mount VS4-VS5 Termination

VS4-VS5 Termination - 3P

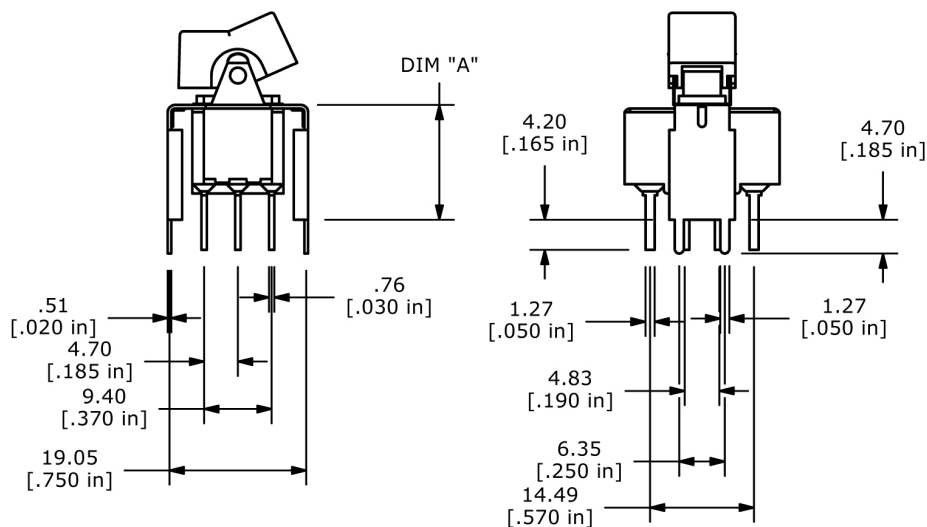


| OPTION | DIM "A" |
|--------|-----------------|
| VS4 | 11.68 [.460] |
| VS5 | 16.00 [.630] |

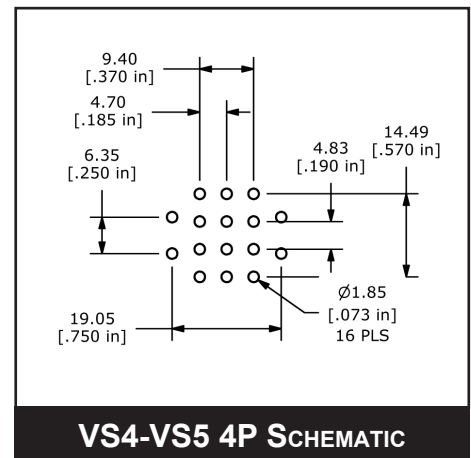


VS4-VS5 3P SCHEMATIC

VS4-VS5 Termination - 4P



| OPTION | DIM "A" |
|--------|-----------------|
| VS4 | 11.68 [.460] |
| VS5 | 16.00 [.630] |



VS4-VS5 4P SCHEMATIC

