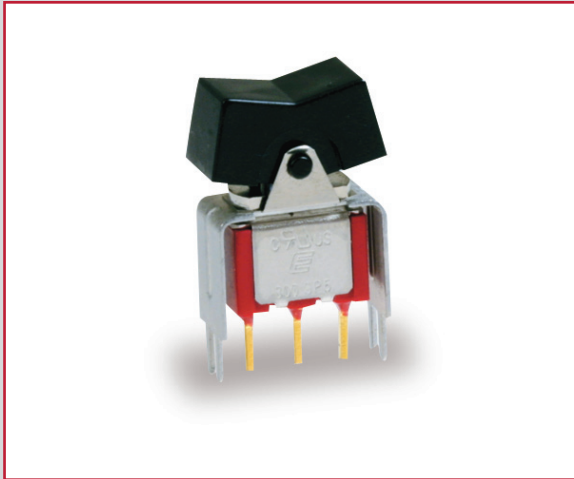


300 SERIES ROCKER SWITCH

ANTI-VANDAL SWITCHES
DETECTOR SWITCHES
DIP SWITCHES
KEYLOCK SWITCHES
NAVIGATION SWITCHES
PUSHBUTTON SWITCHES
ROCKER SWITCHES
ROTARY SWITCHES
SLIDE SWITCHES
SNAP ACTION SWITCHES
TACTILE SWITCHES
TOGGLE SWITCHES
CAP OPTIONS



APPLICATIONS / MARKETS



Testing Equipment



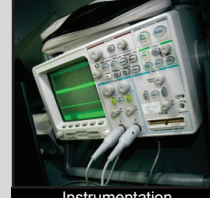
Computer Peripherals



Consumer Electronics



Telecommunication



Instrumentation



Medical Equipment

RoHS

SPECIFICATIONS

Contact Rating:

Silver: 5A @ 120VAC or 28 VDC
2A @ 250VAC

Gold: 0.4VA @ 20V Max (AC or DC)

Life Expectancy: 40,000 make or break cycles at full load

Contact Resistance: 10mΩ max. initial @ 2-4VDC,
100mA for both silver and gold plated contacts

Insulation Resistance: 1,000MΩ min.

Dielectric Strength: 1,000 V RMS @ sea level

Operating Temperature: -30°C to 85°C

FEATURES & BENEFITS

- Multiple rocker & paddle options
- Up to 4 poles
- Multiple termination options
- Snap-in panel mount option available

PART NUMBER CONFIGURATOR

Series	Model No.	Acuator	Actuator Color**	Termination	Contact Material	Seal	Frame Color
<input type="text" value="300"/>	<input type="text" value="SP1"/>	<input type="text" value="Panel Mount"/>	<input type="text" value="Panel Mount"/>	<input type="text" value="Panel Mount"/>	<input type="text" value="Q - Silver"/>	<input type="text" value="E - Epoxy sealed at base of terminal"/>	<input type="text" value="(R6, R7 Only)"/>
	SP2	R1	BLK - Black	M1	R - Gold		BLK - Black
	SP3	R2	WHT - White	M3			WHT - White
	SP4	R3	RED - Red	M51			RED - Red
	SP5	R4	YEL - Yellow	M52			YEL - Yellow
	DP1	R6*	GRY - Gray	M53			GRY - Gray
	DP2	R7*		M54			
	DP3	R8*	<u>PC Mount</u>	<u>PC Mount</u>			
	DP4	R9*	BLK - Black	M2			
	DP5	R11	WHT - White	M6			
	DP6	R16	RED - Red	M7			
	DP7		YEL - Yellow	VS2			
	DP8		GRY - Gray	VS3			
	3P1	*Snap-in Panel Mount		VS4			
	3P2			VS5			
	3P3	<u>PC Mount</u>		M61			
	3P4	J1		VS21			
	3P5	J2					
	4P1	J3					
	4P2	J4					
	4P3	J5					
	4P4	J6					
	4P5						
	4P6						

Specifications subject to change without notice



E-SWITCH®

www.e-switch.com

800.867.2717

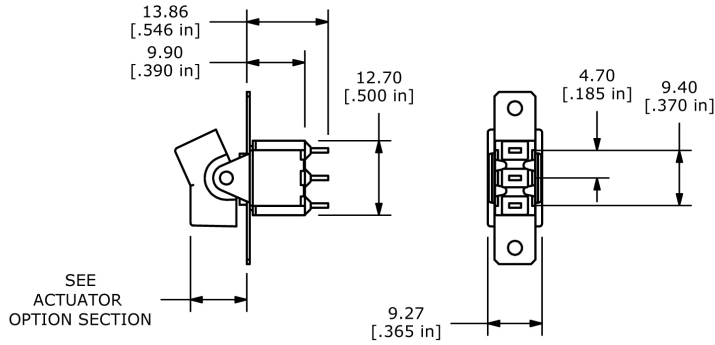
2

300 SERIES ROCKER SWITCH

Switch Functions

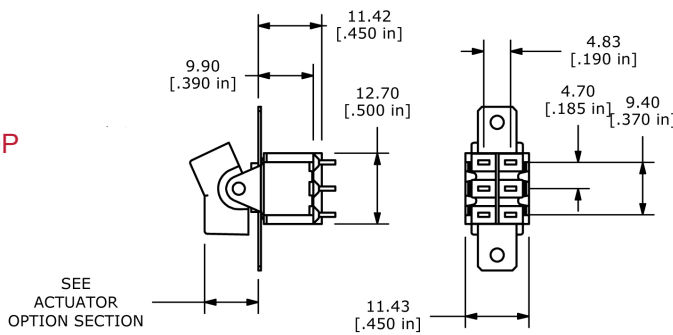
() = momentary

Single Pole - SP



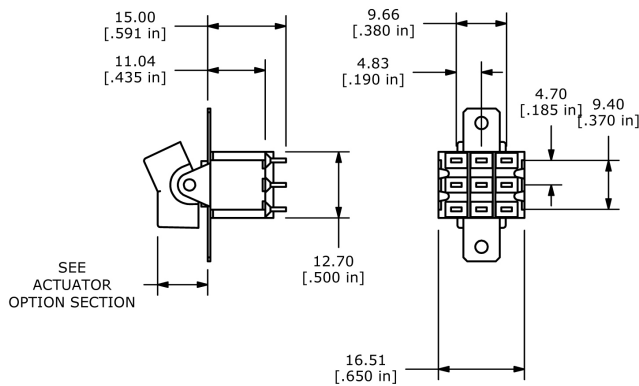
MODEL NO.	POS. 1	POS. 2	POS. 3
SP1	ON	NONE	ON
SP2	ON	NONE	(ON)
SP3	ON	OFF	ON
SP4	(ON)	OFF	(ON)
SP5	ON	OFF	(ON)
Term. Comm.	2-3	OPEN	2-1

Double Pole - DP



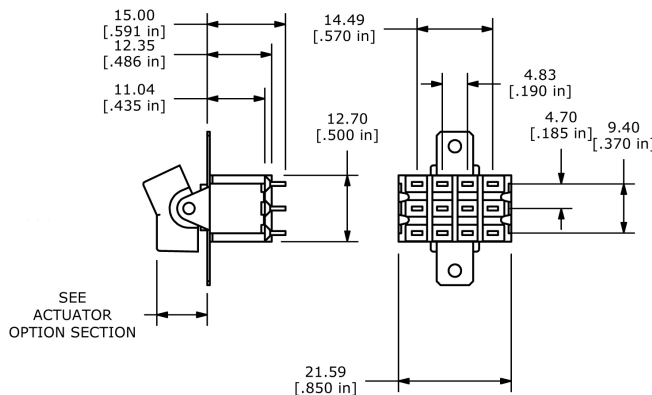
MODEL NO.	POS. 1	POS. 2	POS. 3
DP1	ON	NONE	ON
DP2	ON	NONE	(ON)
DP3	ON	OFF	ON
DP4	(ON)	OFF	(ON)
DP5	ON	OFF	(ON)
DP7	ON	ON	(ON)
DP8	(ON)	ON	(ON)
Term. Comm.	2-3, 5-6	OPEN	2-1, 5-4
Term. Comm.	2-3, 5-6	2-3, 5-4	2-1, 5-4

Triple Pole - 3P



MODEL NO.	POS. 1	POS. 2	POS. 3
3P1	ON	NONE	ON
3P2	ON	NONE	(ON)
3P3	ON	OFF	ON
3P4	(ON)	OFF	(ON)
3P5	ON	OFF	(ON)
Term. Comm.	2-3, 5-6, 8-9	OPEN	2-1, 5-4, 8-7

Four Pole - 4P



MODEL NO.	POS. 1	POS. 2	POS. 3
4P1	ON	NONE	ON
4P2	ON	NONE	(ON)
4P3	ON	OFF	ON
4P4	(ON)	OFF	(ON)
4P5	ON	OFF	(ON)
Term. Comm.	2-3, 5-6, 8-9, 11-12	OPEN	2-1, 5-4, 8-7, 11-10
4P6	ON	ON	ON
Term. Comm.	2-3, 5-6, 8-9, 11-12	2-3, 5-4, 8-9, 11-10	2-1, 5-4, 8-7, 11-10

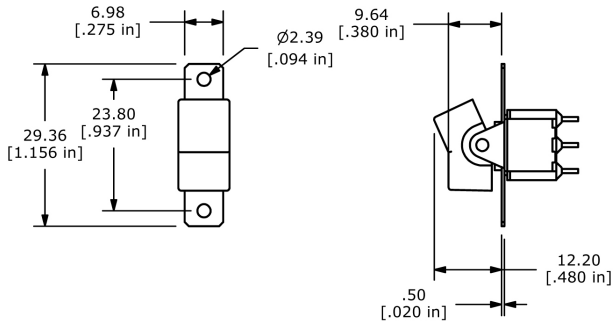


ANTI-VANDAL SWITCHES
DETECTOR SWITCHES
DIP SWITCHES
KEYLOCK SWITCHES
NAVIGATION SWITCHES
PUSHBUTTON SWITCHES
ROCKER SWITCHES
ROTARY SWITCHES
SLIDE SWITCHES
SNAP ACTION SWITCHES
TACTILE SWITCHES
TOGGLE SWITCHES
CAP OPTIONS

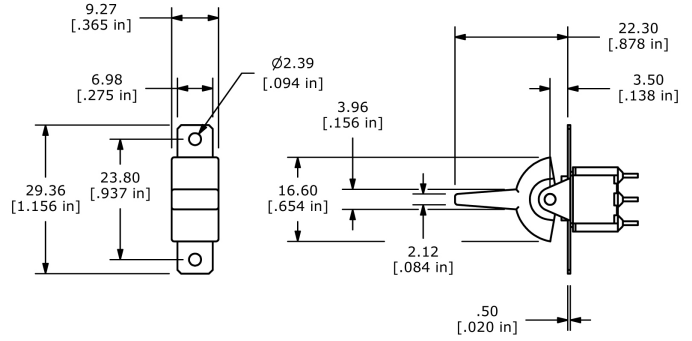
300 SERIES ROCKER SWITCH

Panel Mount Actuator

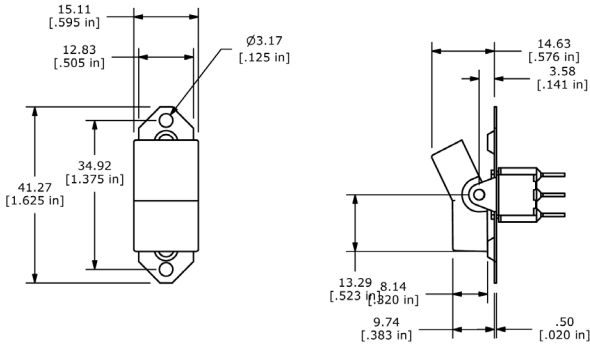
R1 Actuator



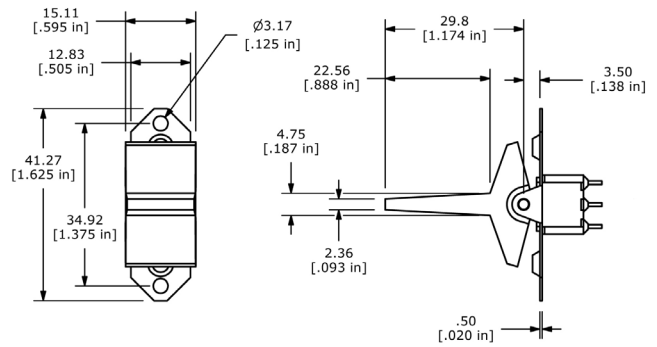
R2 Actuator



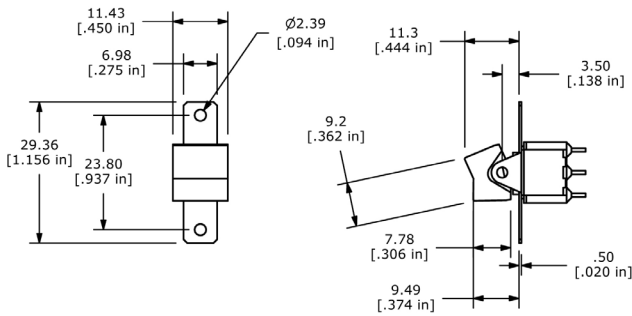
R3 Actuator



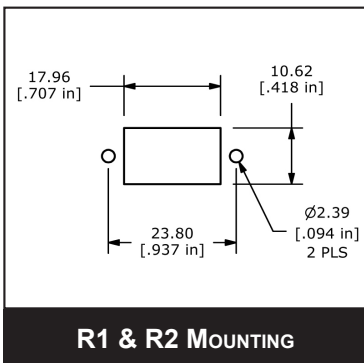
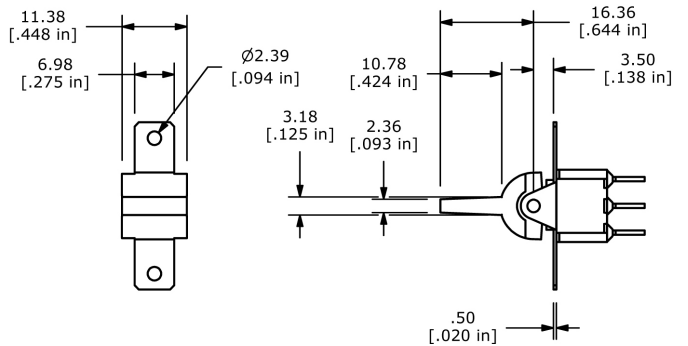
R4 Actuator



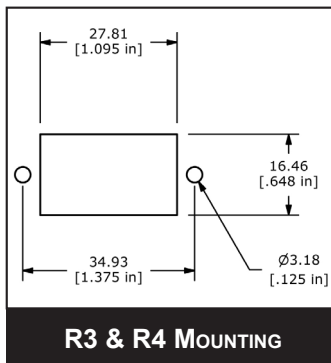
R11 Actuator



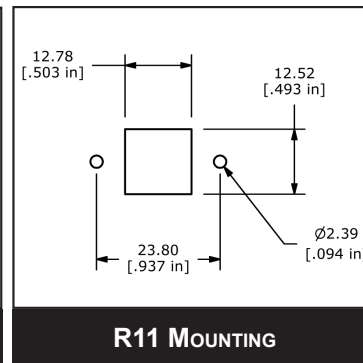
R16 Actuator



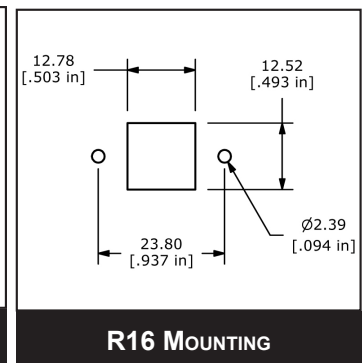
R1 & R2 MOUNTING



R3 & R4 MOUNTING



R11 MOUNTING



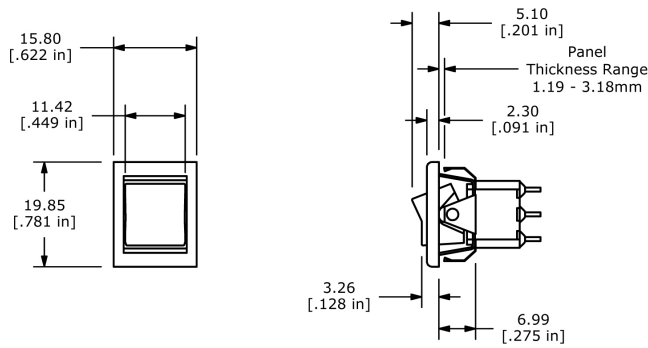
R16 MOUNTING



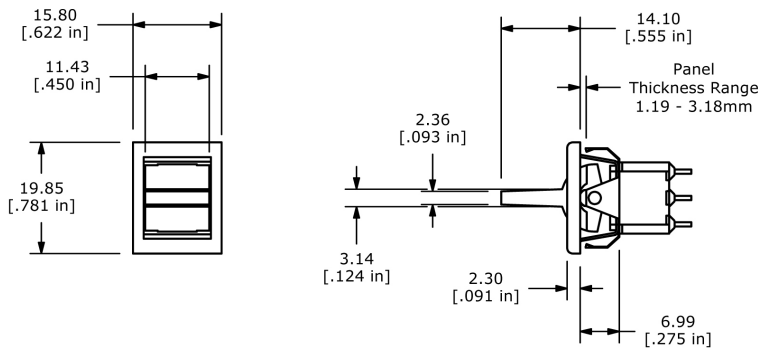
300 SERIES ROCKER SWITCH

Snap-in Panel Mount Actuator

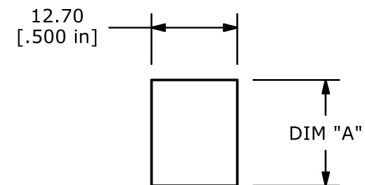
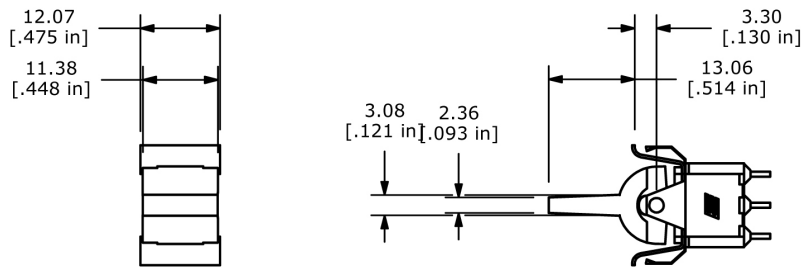
R6 Actuator



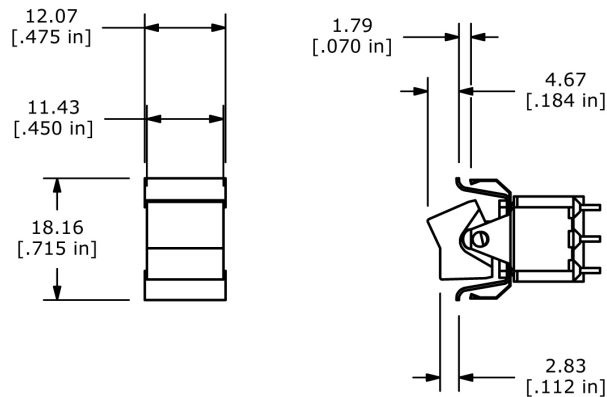
R7 Actuator



R8 Actuator



R9 Actuator



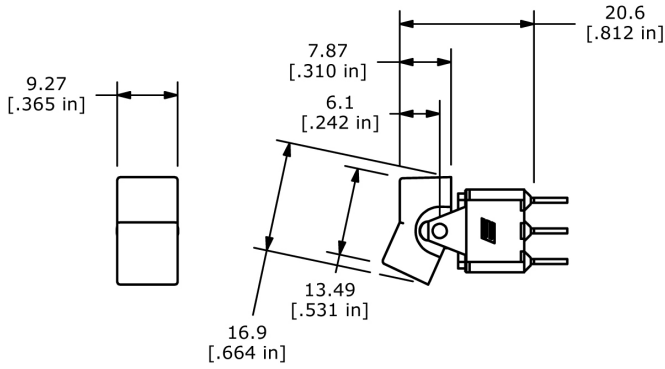
ACTUATOR OPTION	PANEL THICKNESS	DIM "A"
R6 or R7	1.19-1.51 [.047-.060]	15.70 [.619]
R6 or R7	1.52-3.18 [.061-.125]	15.85 [.624]
R8 or R9	1.19-2.29 [.047-.090]	15.70 [.619]
R8 or R9	2.30-3.18 [.091-.125]	15.85 [.624]



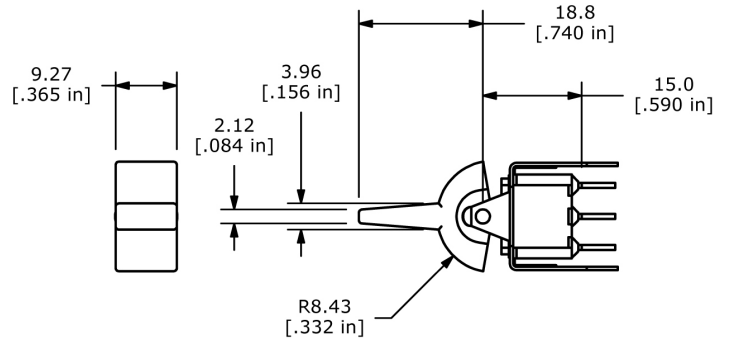
300 SERIES ROCKER SWITCH

PC Mount Actuator

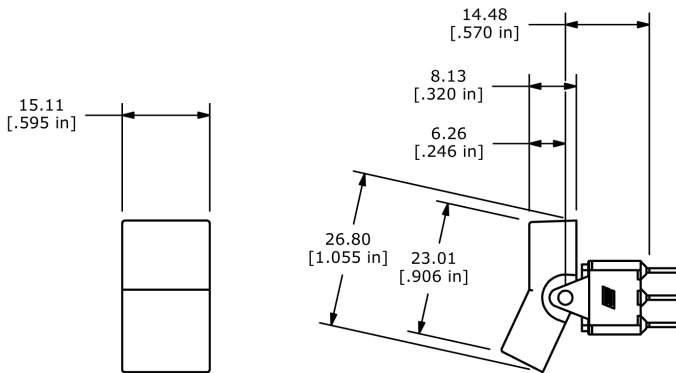
J1 Actuator



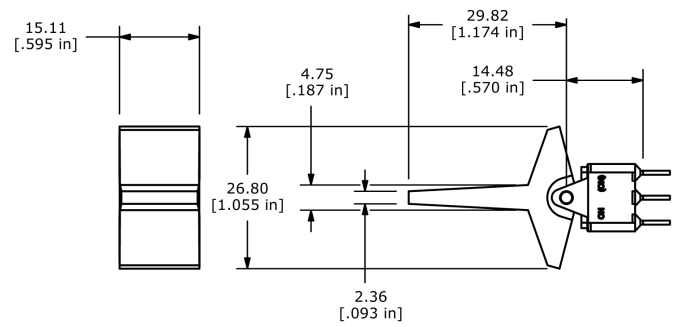
J2 Actuator



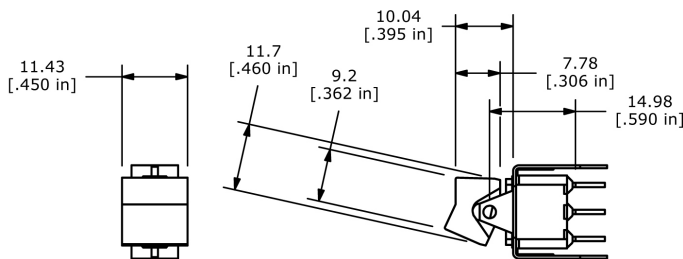
J3 Actuator



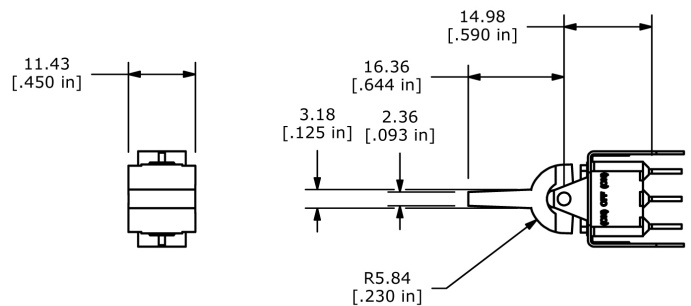
J4 Actuator



J5 Actuator



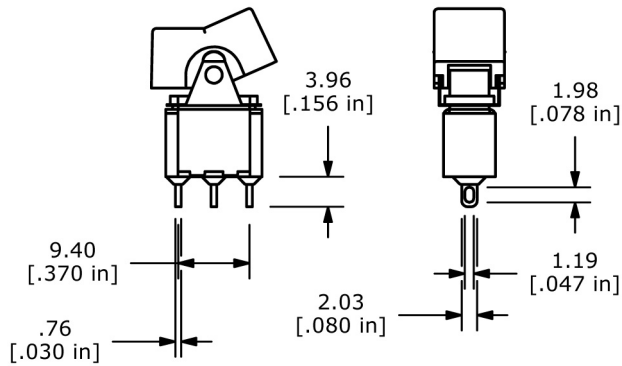
J6 Actuator



300 SERIES ROCKER SWITCH

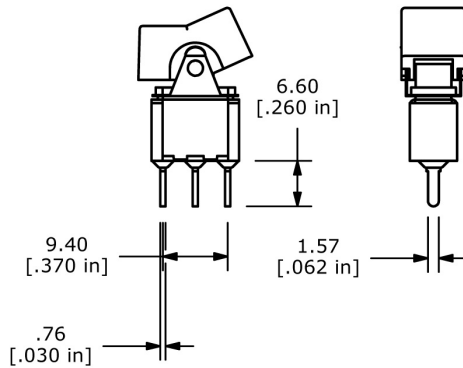
Panel Mount Termination

M1 Termination

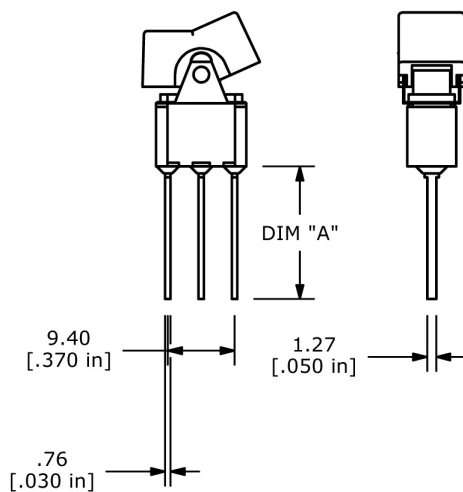


See Switch Function details (page 3) for complete terminal spacing dimensions for DP, 3P, and 4P switch models.

M3 Termination



M5 Termination



OPTION	DIM "A"
M51	18.70 [.736]
M52	24.20 [.953]
M53	10.55 [.415]
M54	26.97 [1.062]

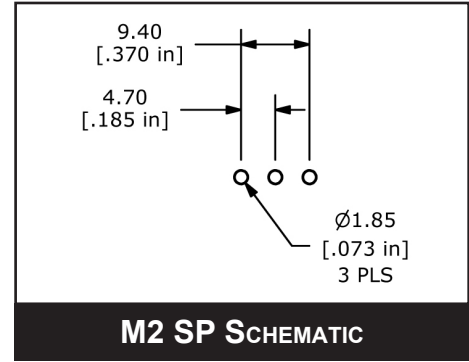
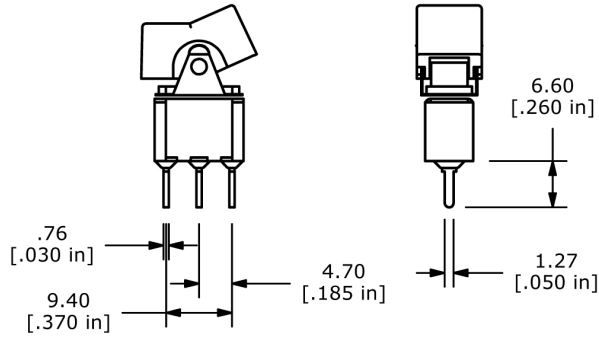


300 SERIES ROCKER SWITCH

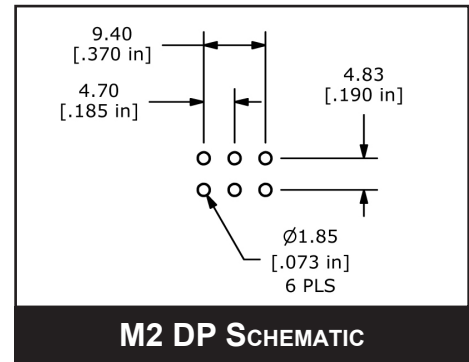
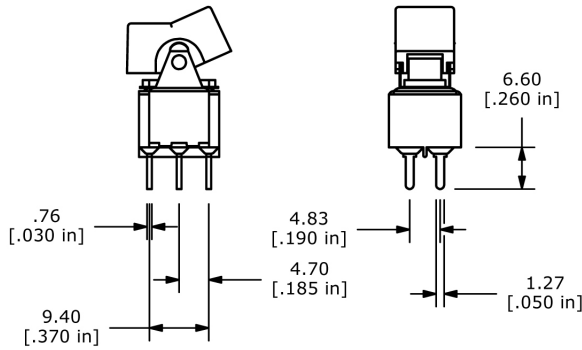
PC Mount M2 Termination

- ANTI-VANDAL SWITCHES
- DETECTOR SWITCHES
- DIP SWITCHES
- KEYLOCK SWITCHES
- NAVIGATION SWITCHES
- PUSHBUTTON SWITCHES
- ROCKER SWITCHES**
- ROTARY SWITCHES
- SLIDE SWITCHES
- SNAP ACTION SWITCHES
- TACTILE SWITCHES
- TOGGLE SWITCHES
- CAP OPTIONS

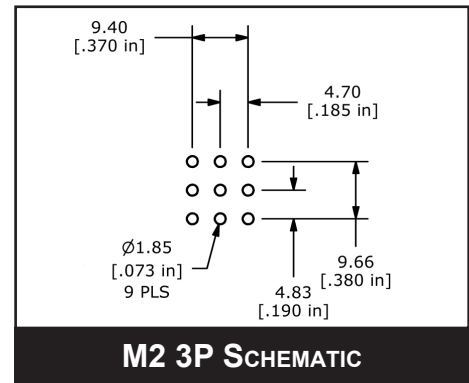
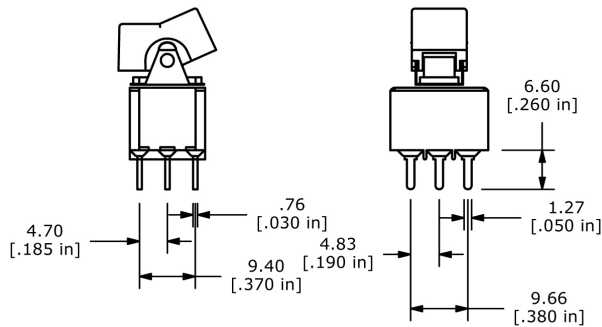
M2 Termination - SP



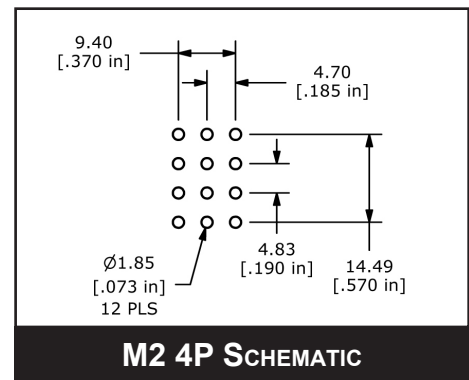
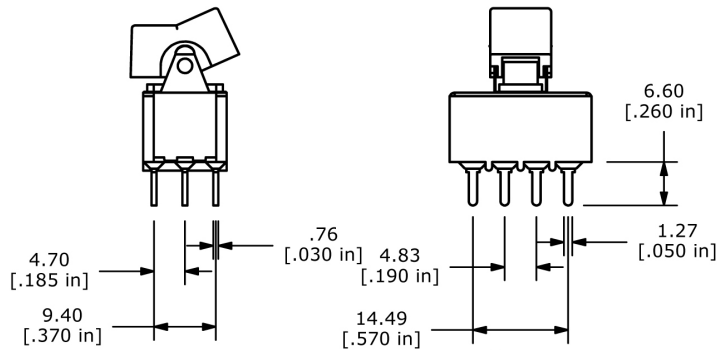
M2 Termination - DP



M2 Termination - 3P



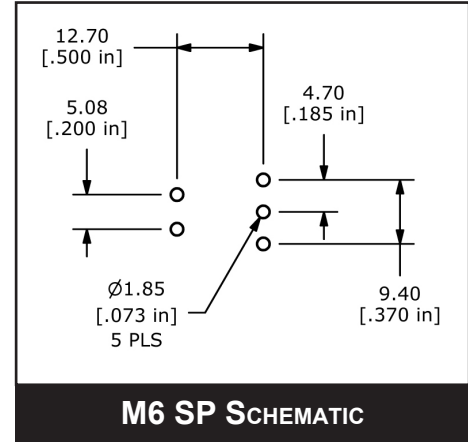
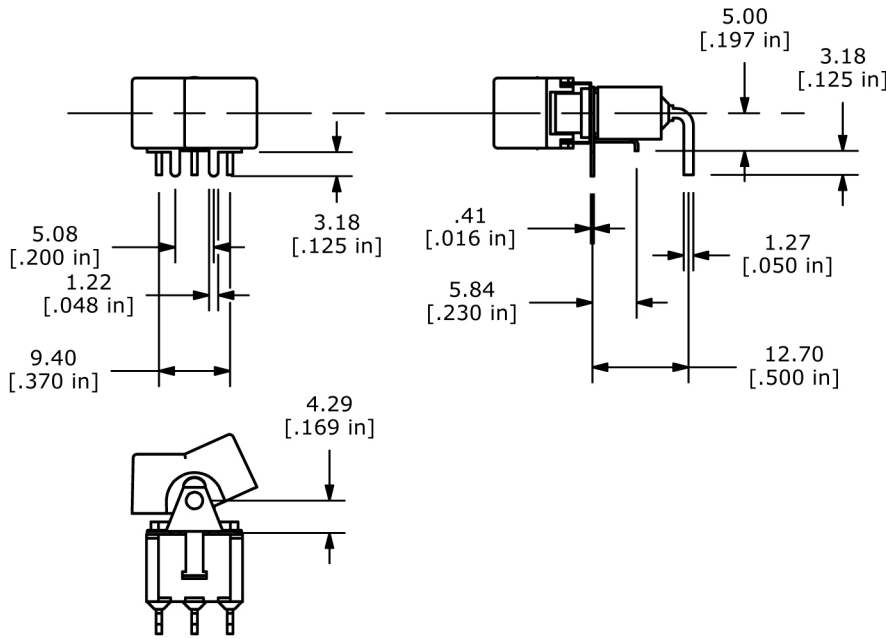
M2 Termination - 4P



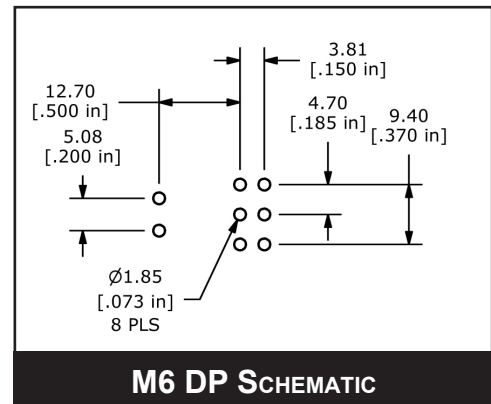
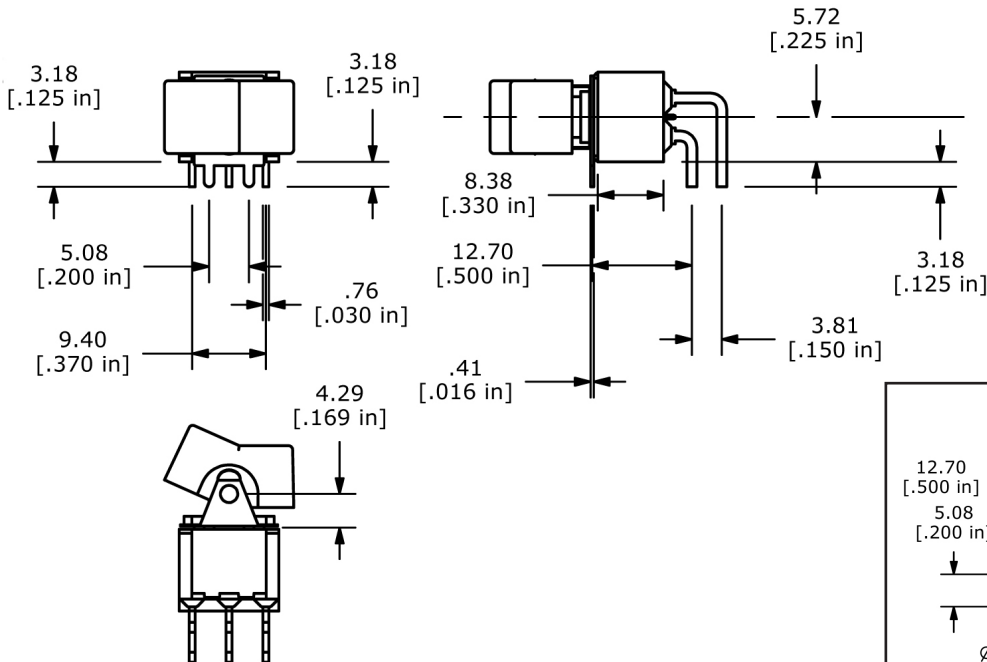
300 SERIES ROCKER SWITCH

PC Mount M6 Termination

M6 Termination - SP



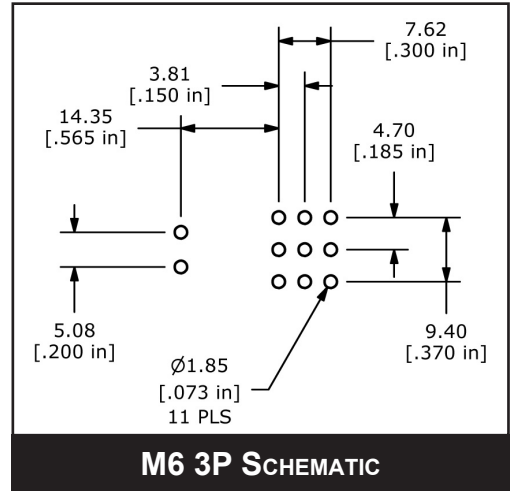
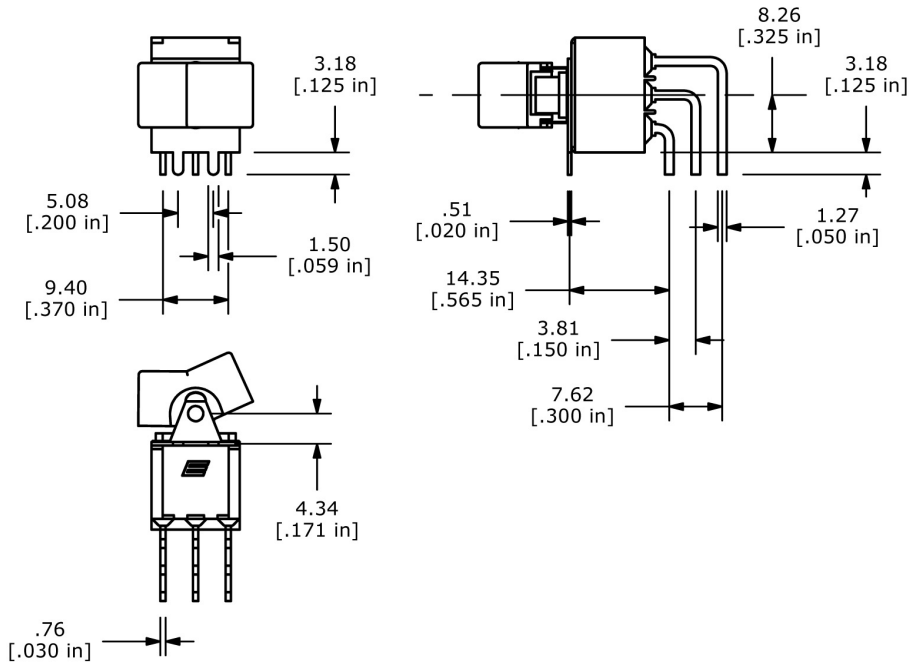
M6 Termination - DP



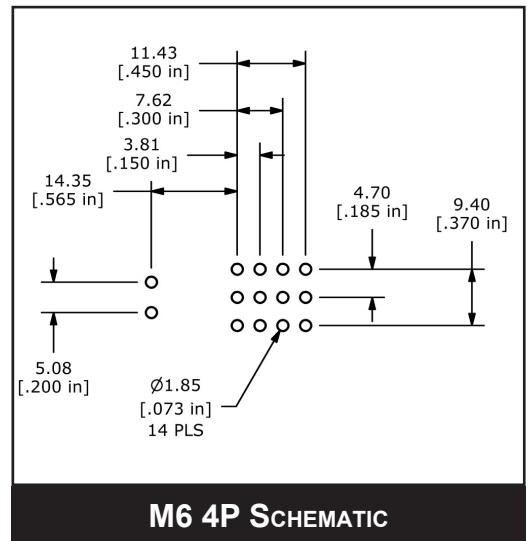
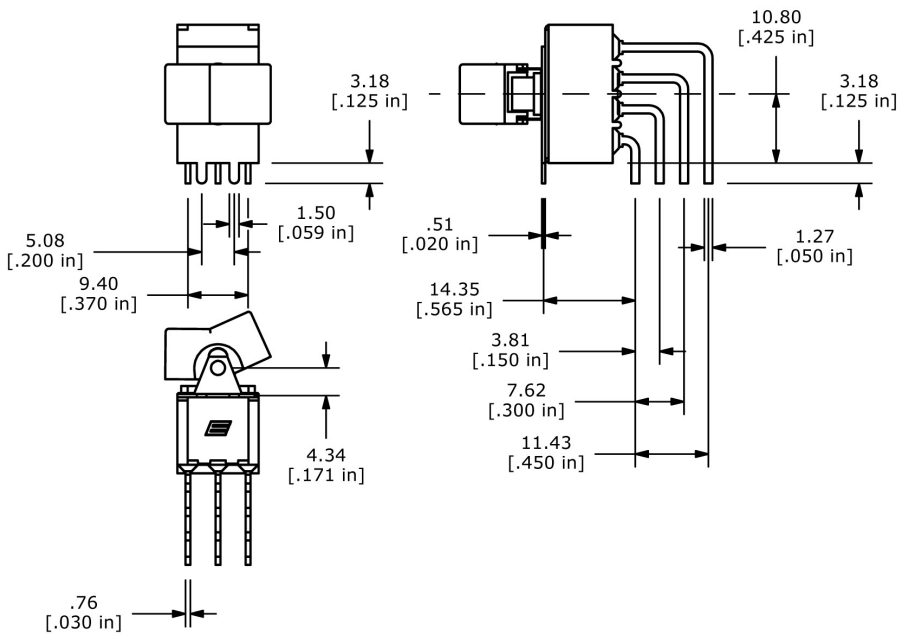
300 SERIES ROCKER SWITCH

PC Mount M6 Termination

M6 Termination - 3P



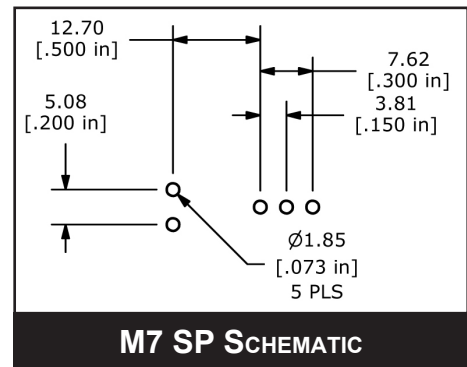
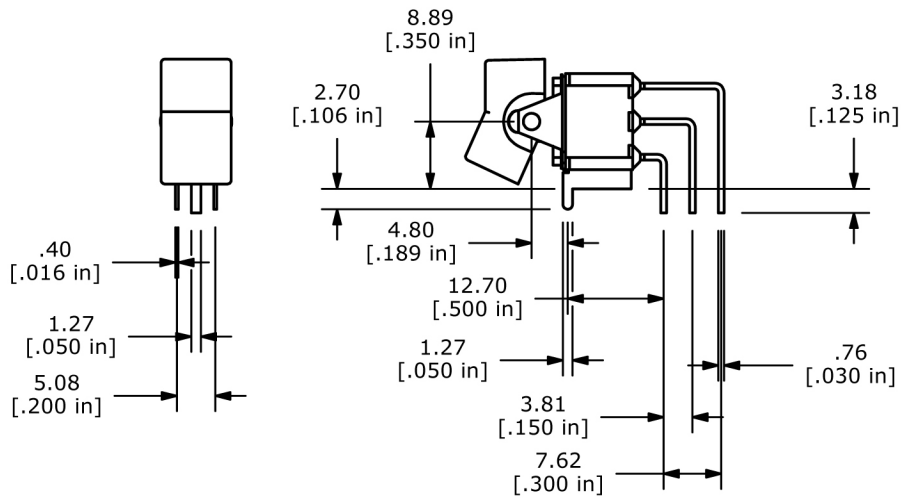
M6 Termination - 4P



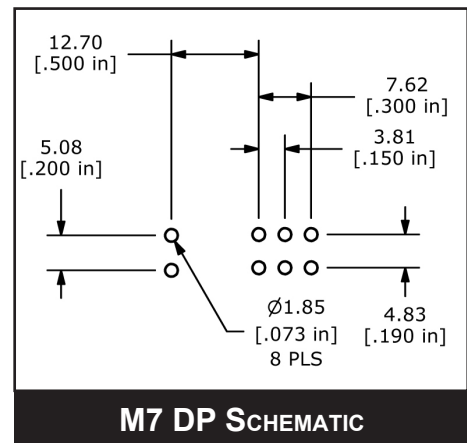
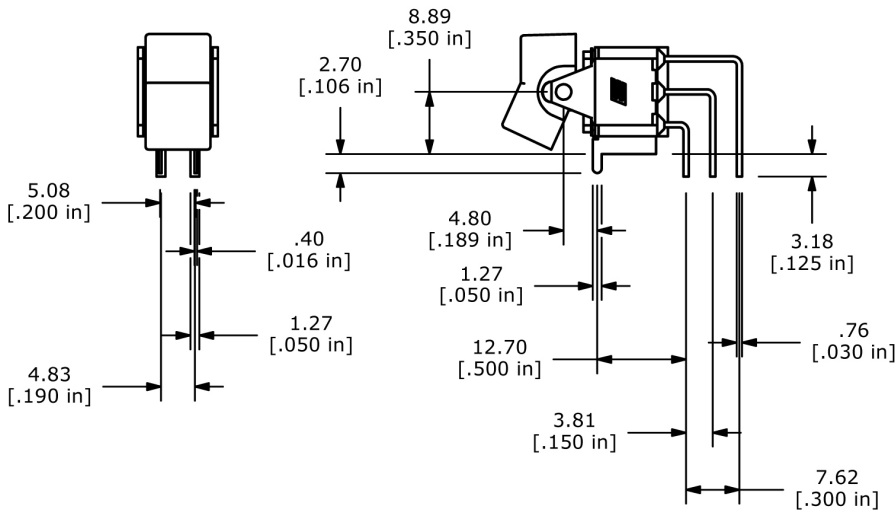
300 SERIES ROCKER SWITCH

PC Mount M7 Termination

M7 Termination - SP



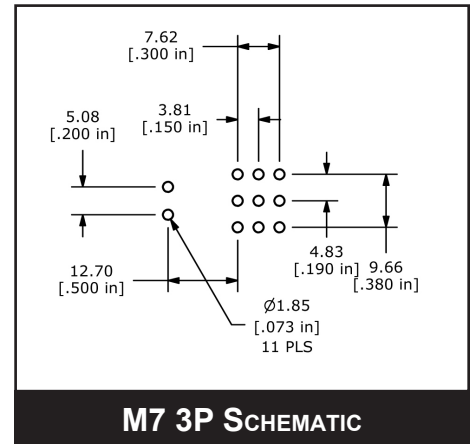
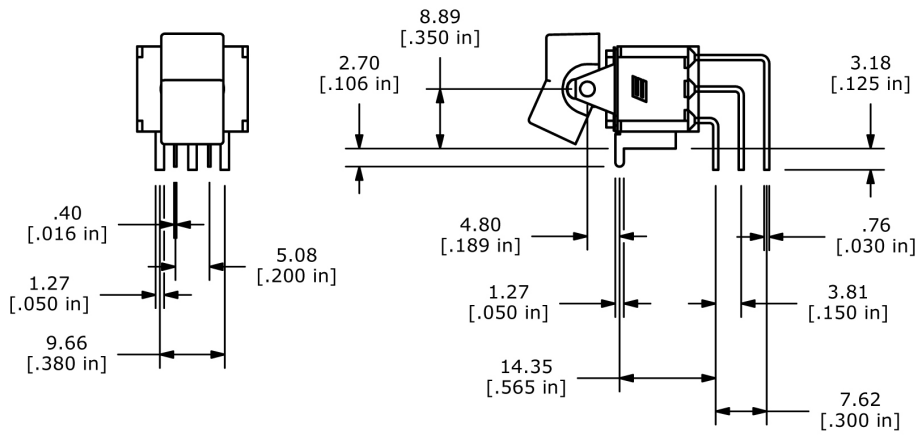
M7 Termination - DP



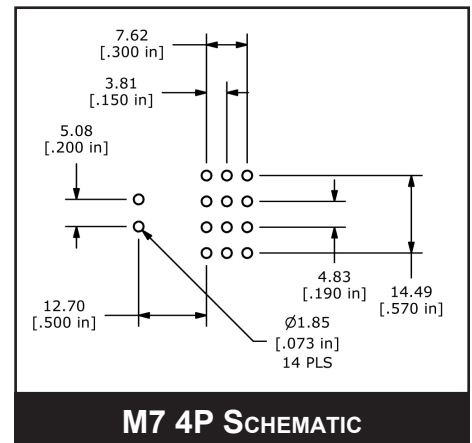
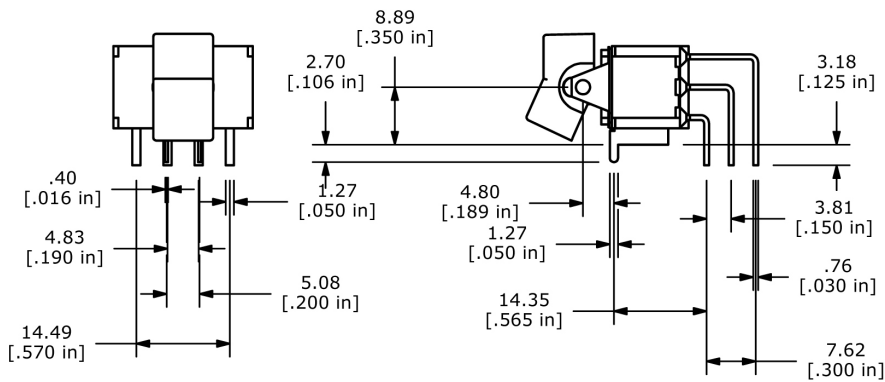
300 SERIES ROCKER SWITCH

PC Mount M7 Termination Options

M7 Termination - 3P



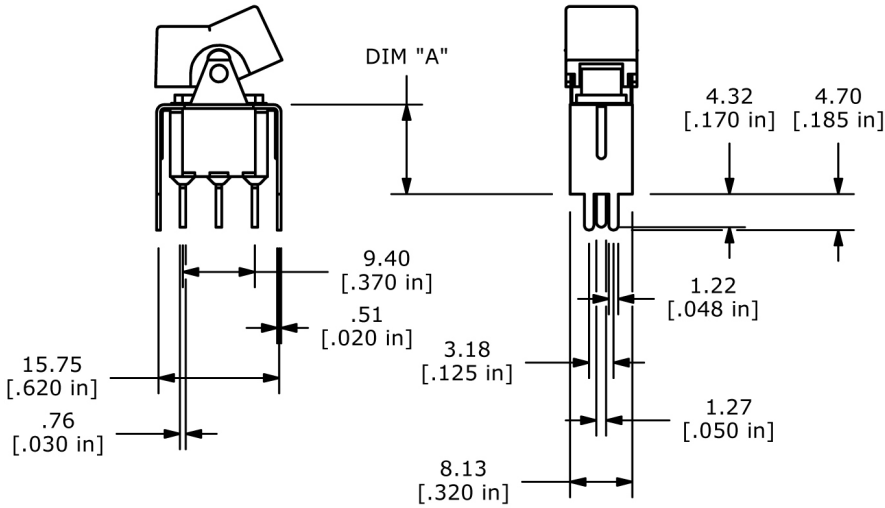
M7 Termination - 4P



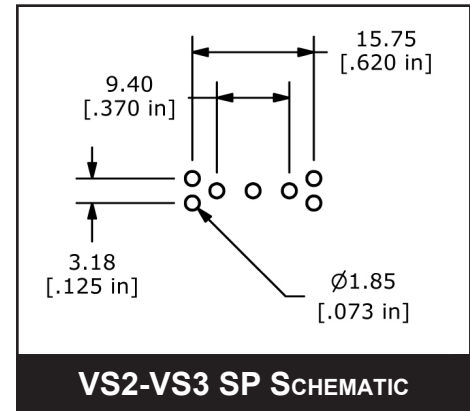
300 SERIES ROCKER SWITCH

PC Mount VS2-VS3 Termination

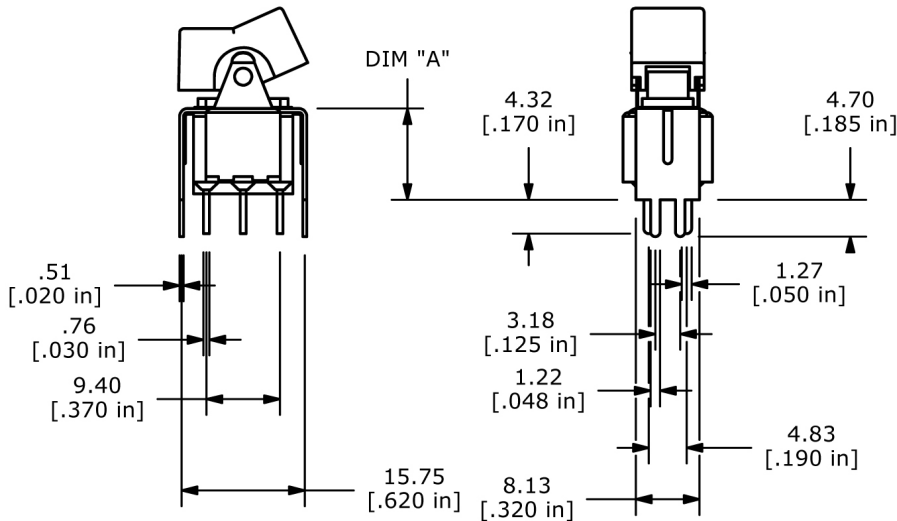
VS2-VS3 Termination - SP



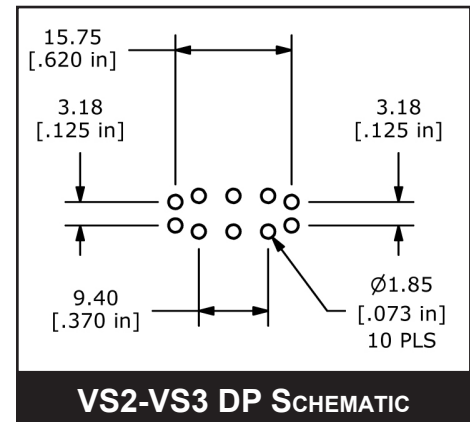
OPTION	DIM "A"
VS2	11.68 [.460]
VS3	16.00 [.630]



VS2-VS3 Termination - DP



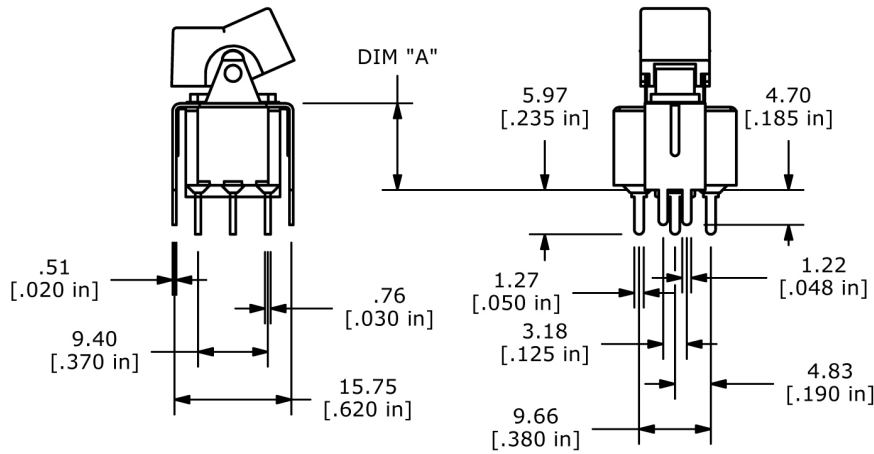
OPTION	DIM "A"
VS2	11.68 [.460]
VS3	16.00 [.630]



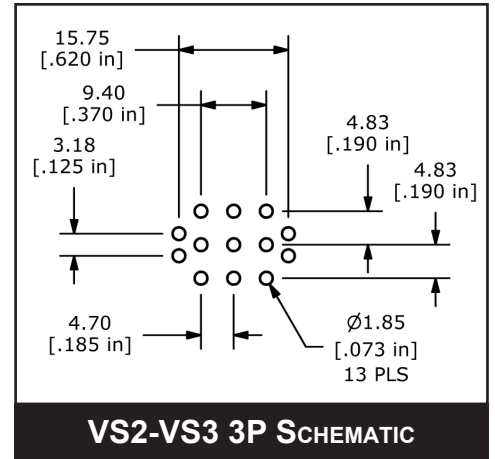
300 SERIES ROCKER SWITCH

PC Mount VS2-VS3 Termination

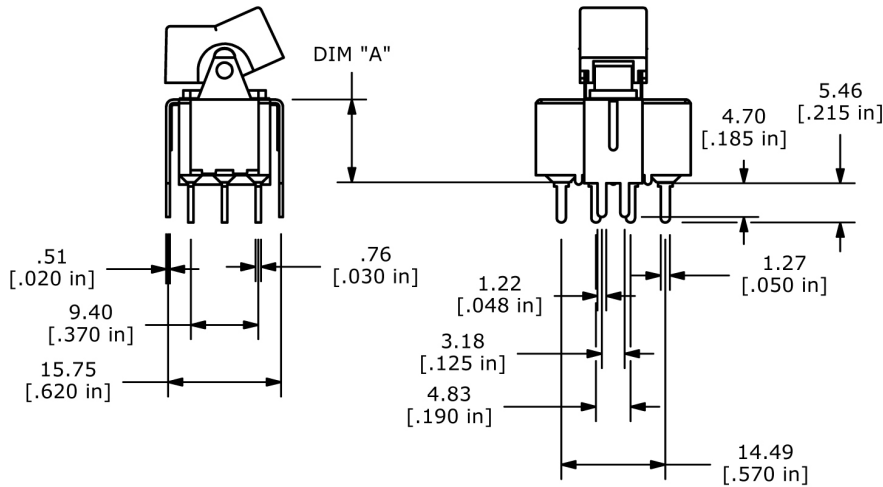
VS2-VS3 Termination - 3P



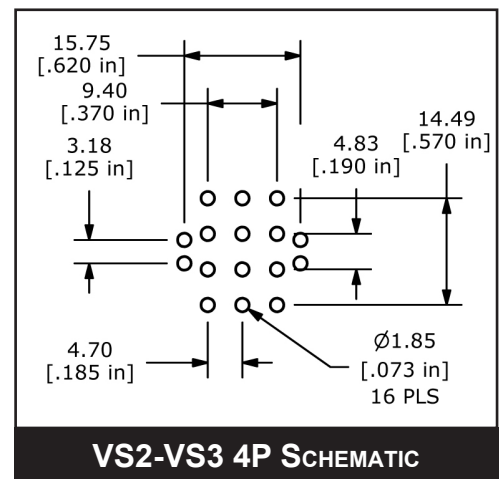
OPTION	DIM "A"
VS2	11.68 [.460]
VS3	16.00 [.630]



VS2-VS3 Termination - 4P



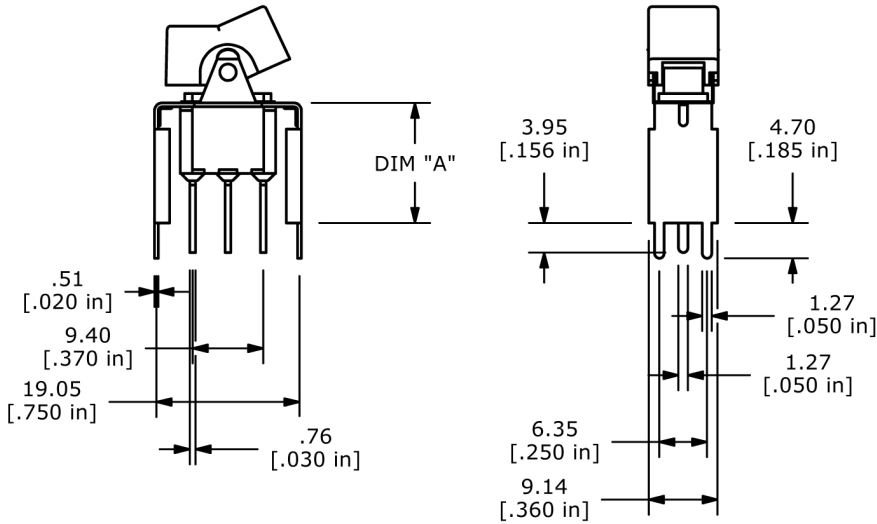
OPTION	DIM "A"
VS2	11.68 [.460]
VS3	16.00 [.630]



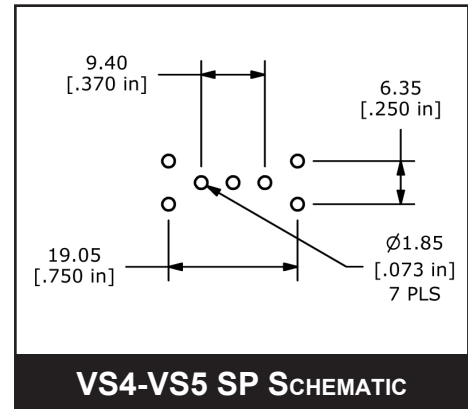
300 SERIES ROCKER SWITCH

PC Mount VS4-VS5 Termination

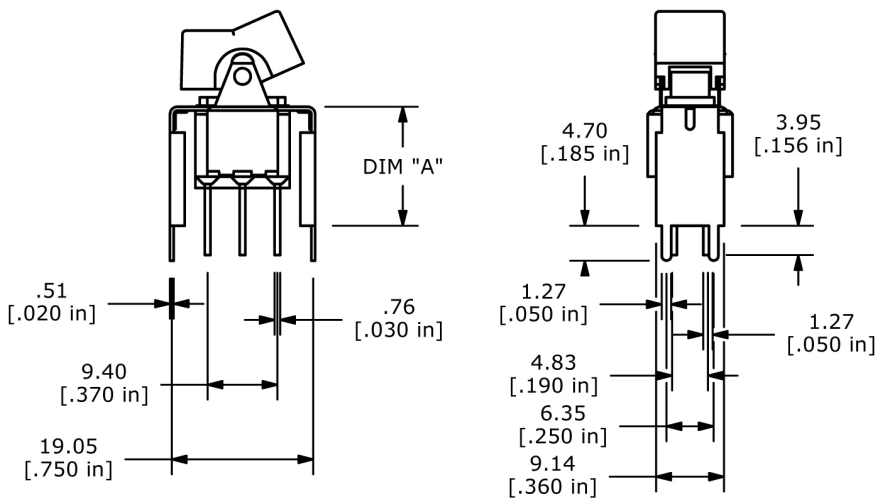
VS4-VS5 Termination - SP



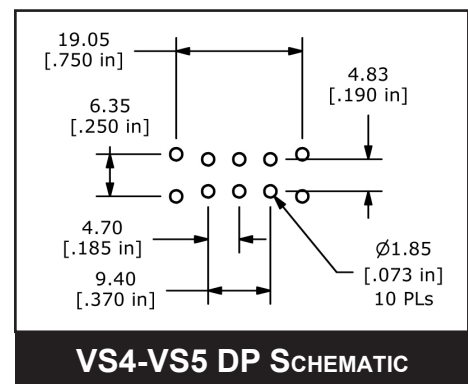
OPTION	DIM "A"
VS4	11.68 [.460]
VS5	16.00 [.630]



VS4-VS5 Termination - DP



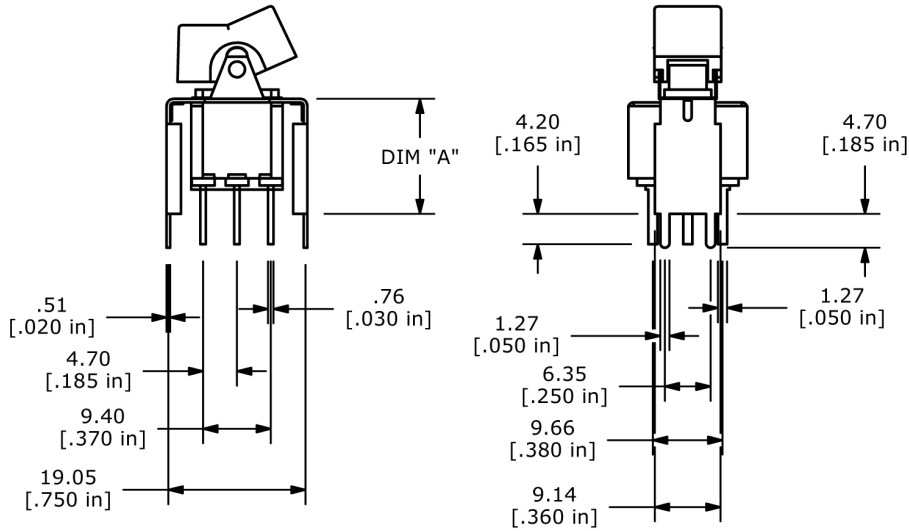
OPTION	DIM "A"
VS4	11.68 [.460]
VS5	16.00 [.630]



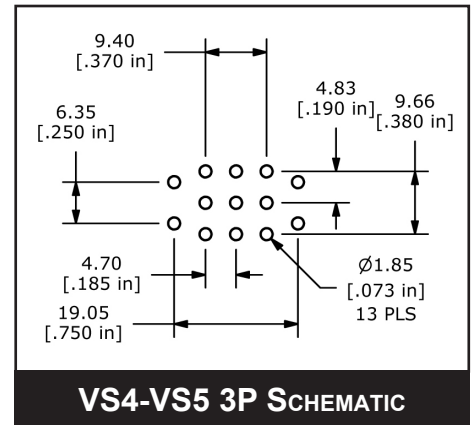
300 SERIES ROCKER SWITCH

PC Mount VS4-VS5 Termination

VS4-VS5 Termination - 3P

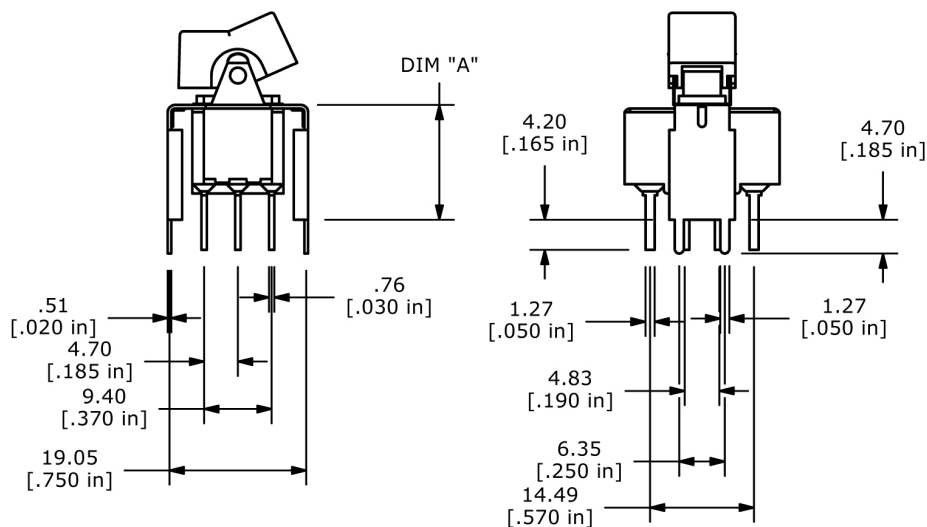


OPTION	DIM "A"
VS4	11.68 [.460]
VS5	16.00 [.630]

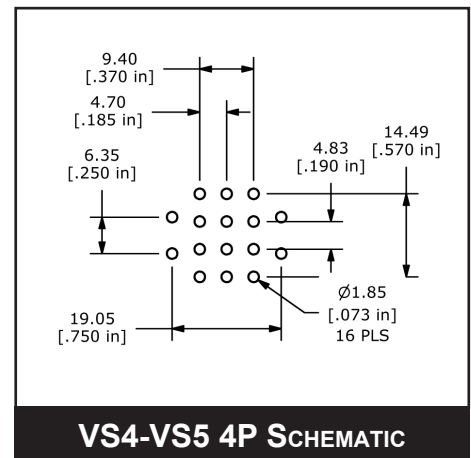


VS4-VS5 3P SCHEMATIC

VS4-VS5 Termination - 4P



OPTION	DIM "A"
VS4	11.68 [.460]
VS5	16.00 [.630]



VS4-VS5 4P SCHEMATIC

