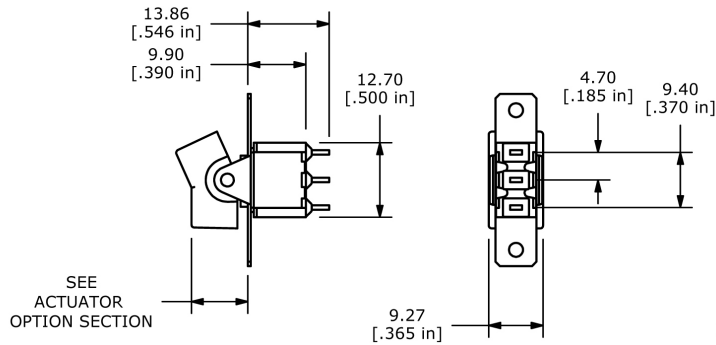


300 SERIES ROCKER SWITCH

Switch Functions

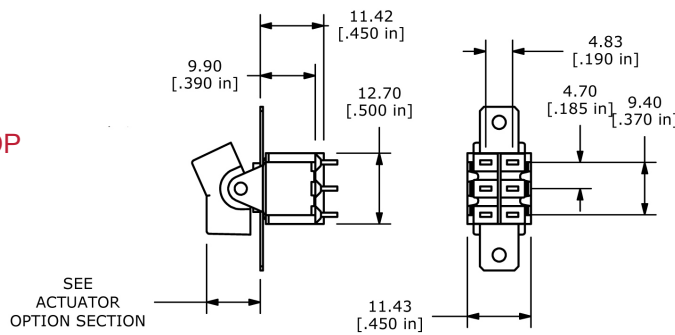
() = momentary

Single Pole - SP



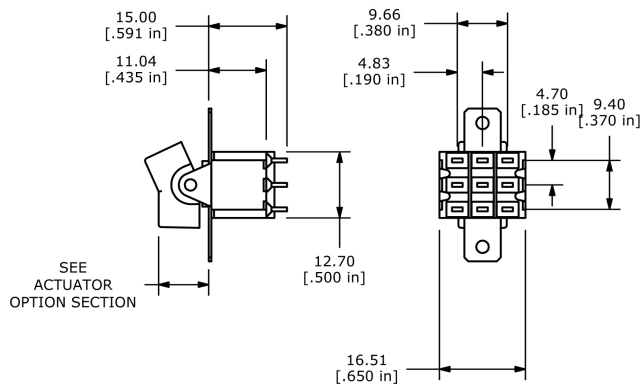
| MODEL NO. | POS. 1 | POS. 2 | POS. 3 |
|-------------|--------|--------|--------|
| SP1 | ON | NONE | ON |
| SP2 | ON | NONE | (ON) |
| SP3 | ON | OFF | ON |
| SP4 | (ON) | OFF | (ON) |
| SP5 | ON | OFF | (ON) |
| Term. Comm. | 2-3 | OPEN | 2-1 |

Double Pole - DP



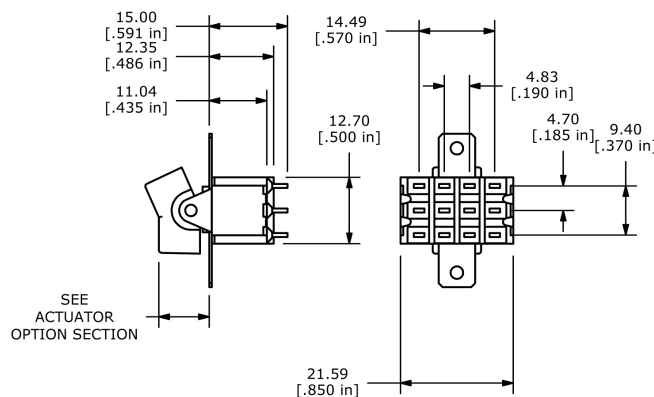
| MODEL NO. | POS. 1 | POS. 2 | POS. 3 |
|-------------|----------|----------|----------|
| DP1 | ON | NONE | ON |
| DP2 | ON | NONE | (ON) |
| DP3 | ON | OFF | ON |
| DP4 | (ON) | OFF | (ON) |
| DP5 | ON | OFF | (ON) |
| DP7 | ON | ON | (ON) |
| DP8 | (ON) | ON | (ON) |
| Term. Comm. | 2-3, 5-6 | OPEN | 2-1, 5-4 |
| Term. Comm. | 2-3, 5-6 | 2-3, 5-4 | 2-1, 5-4 |

Triple Pole - 3P



| MODEL NO. | POS. 1 | POS. 2 | POS. 3 |
|-------------|---------------|--------|---------------|
| 3P1 | ON | NONE | ON |
| 3P2 | ON | NONE | (ON) |
| 3P3 | ON | OFF | ON |
| 3P4 | (ON) | OFF | (ON) |
| 3P5 | ON | OFF | (ON) |
| Term. Comm. | 2-3, 5-6, 8-9 | OPEN | 2-1, 5-4, 8-7 |

Four Pole - 4P



| MODEL NO. | POS. 1 | POS. 2 | POS. 3 |
|-------------|----------------------|----------------------|----------------------|
| 4P1 | ON | NONE | ON |
| 4P2 | ON | NONE | (ON) |
| 4P3 | ON | OFF | ON |
| 4P4 | (ON) | OFF | (ON) |
| 4P5 | ON | OFF | (ON) |
| Term. Comm. | 2-3, 5-6, 8-9, 11-12 | OPEN | 2-1, 5-4, 8-7, 11-10 |
| 4P6 | ON | ON | ON |
| Term. Comm. | 2-3, 5-6, 8-9, 11-12 | 2-3, 5-4, 8-9, 11-10 | 2-1, 5-4, 8-7, 11-10 |

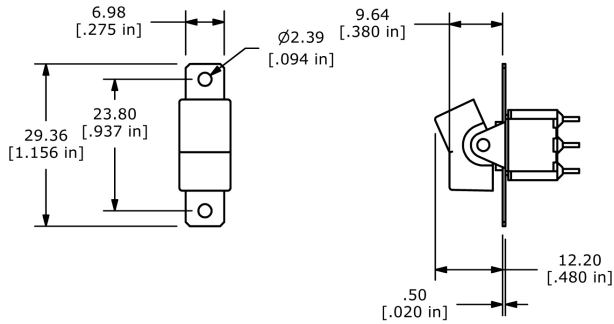


ANTI-VANDAL SWITCHES
DETECTOR SWITCHES
DIP SWITCHES
KEYLOCK SWITCHES
NAVIGATION SWITCHES
PUSHBUTTON SWITCHES
ROCKER SWITCHES
ROTARY SWITCHES
SLIDE SWITCHES
SNAP ACTION SWITCHES
TACTILE SWITCHES
TOGGLE SWITCHES
CAP OPTIONS

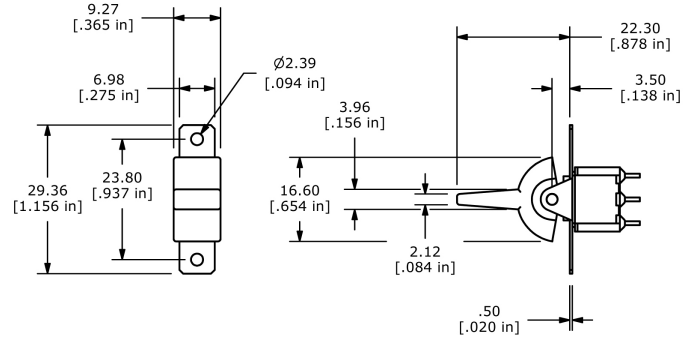
300 SERIES ROCKER SWITCH

Panel Mount Actuator

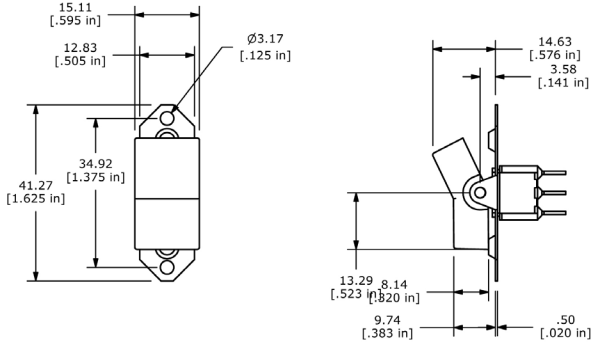
R1 Actuator



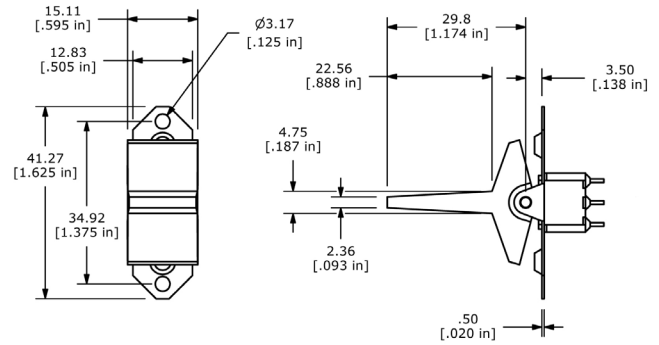
R2 Actuator



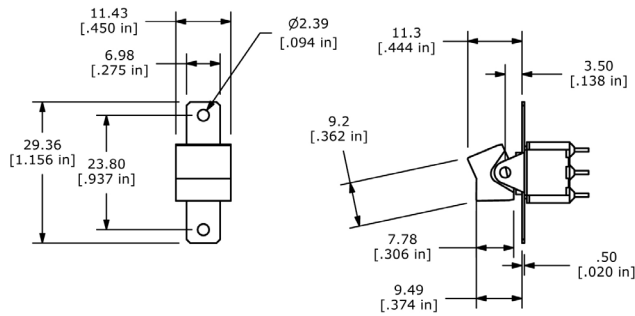
R3 Actuator



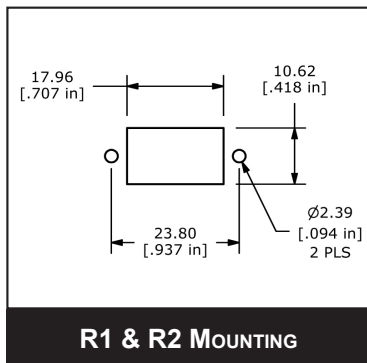
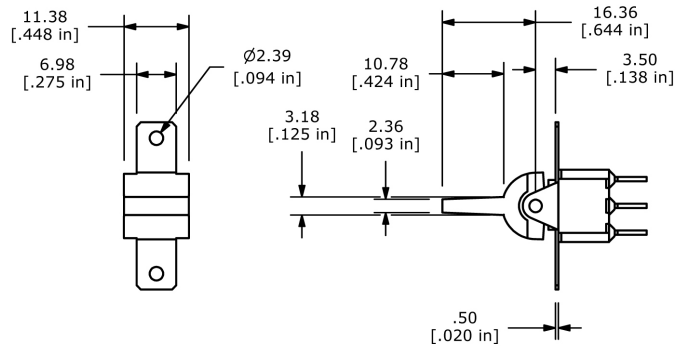
R4 Actuator



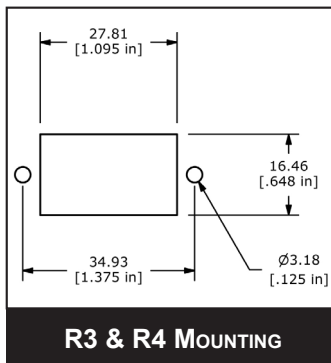
R11 Actuator



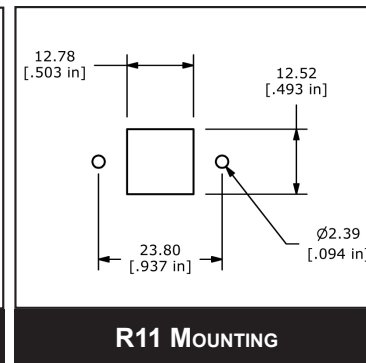
R16 Actuator



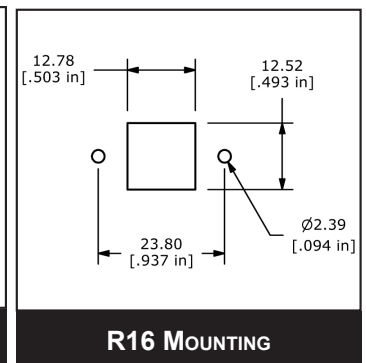
R1 & R2 MOUNTING



R3 & R4 MOUNTING



R11 MOUNTING



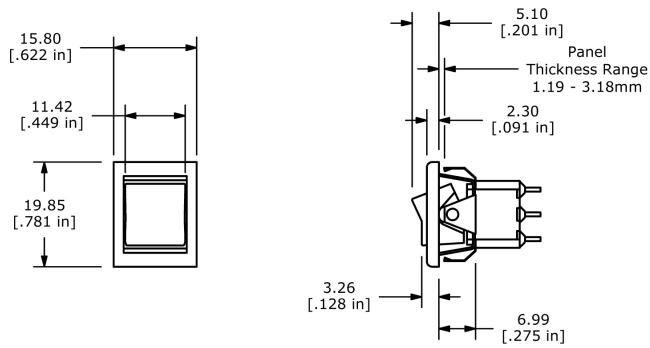
R16 MOUNTING



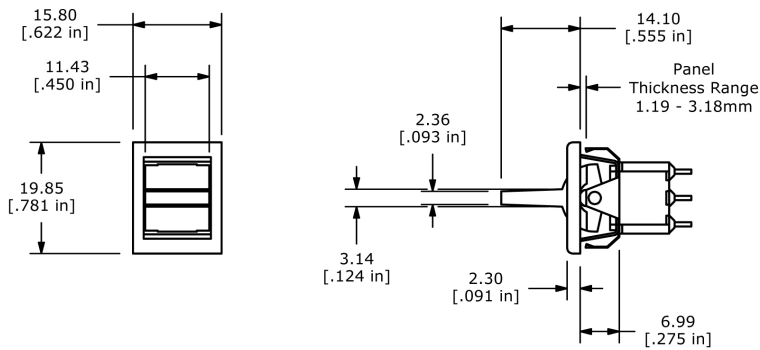
300 SERIES ROCKER SWITCH

Snap-in Panel Mount Actuator

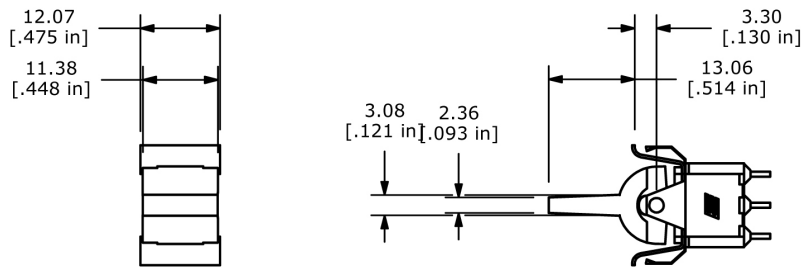
R6 Actuator



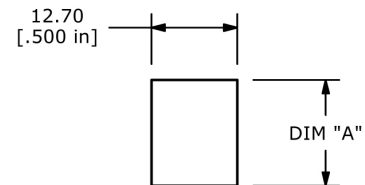
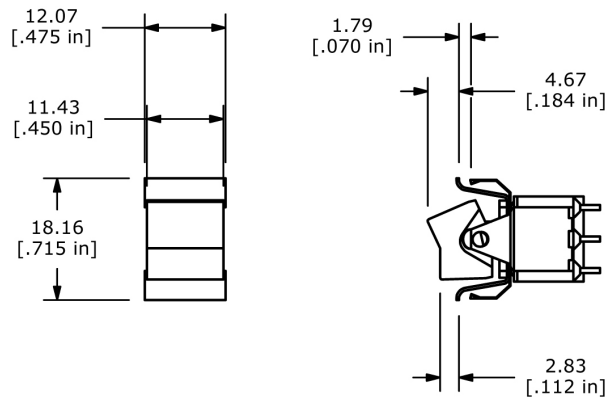
R7 Actuator



R8 Actuator



R9 Actuator

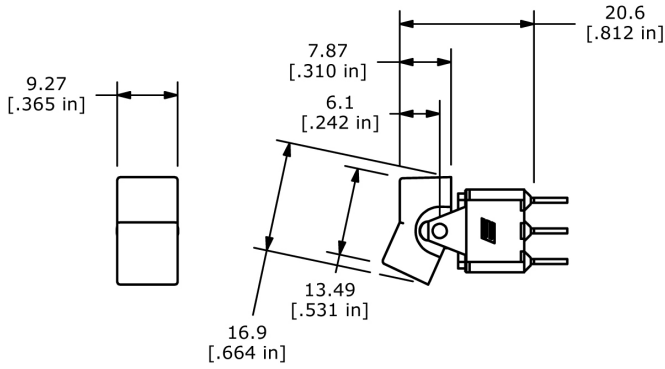


| ACTUATOR OPTION | PANEL THICKNESS | DIM "A" |
|-----------------|--------------------------|-----------------|
| R6 or R7 | 1.19-1.51 [.047-.060] | 15.70 [.619] |
| R6 or R7 | 1.52-3.18 [.061-.125] | 15.85 [.624] |
| R8 or R9 | 1.19-2.29 [.047-.090] | 15.70 [.619] |
| R8 or R9 | 2.30-3.18 [.091-.125] | 15.85 [.624] |

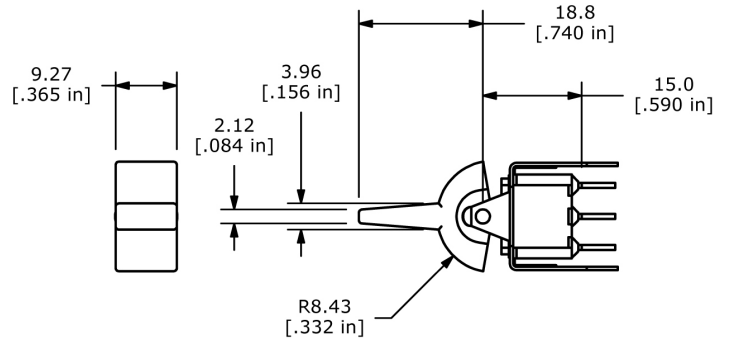


PC Mount Actuator

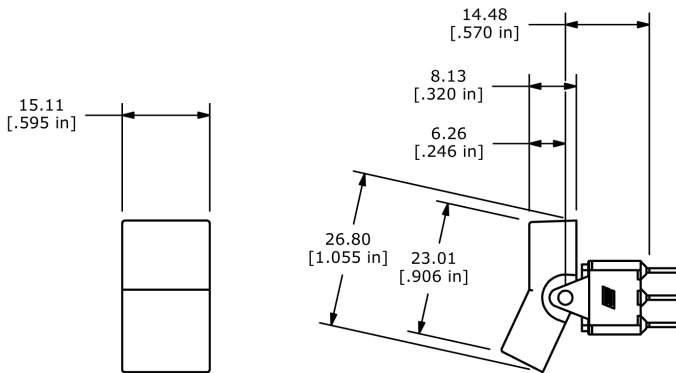
J1 Actuator



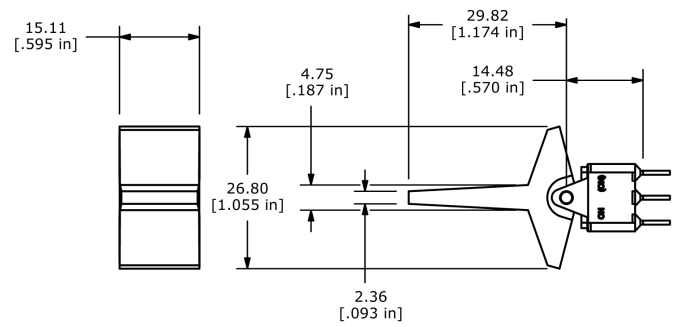
J2 Actuator



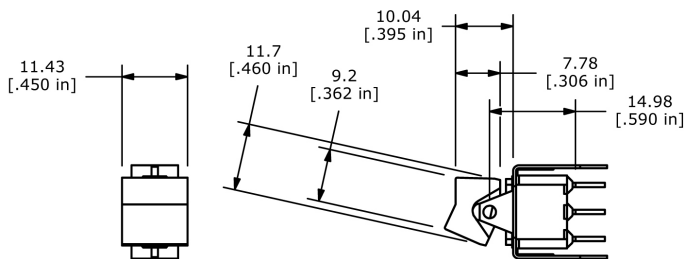
J3 Actuator



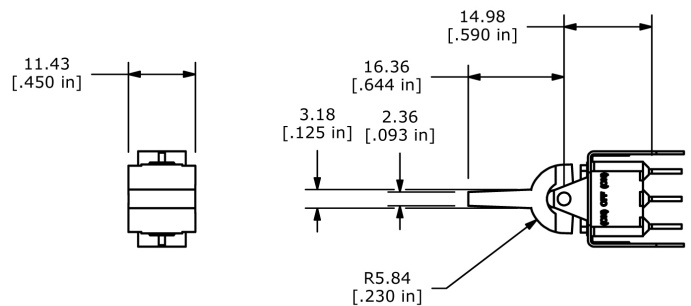
J4 Actuator



J5 Actuator



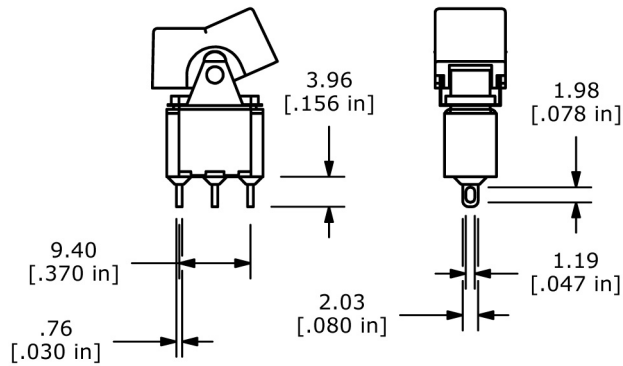
J6 Actuator



300 SERIES ROCKER SWITCH

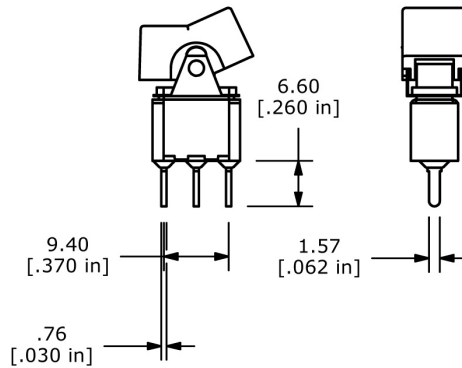
Panel Mount Termination

M1 Termination

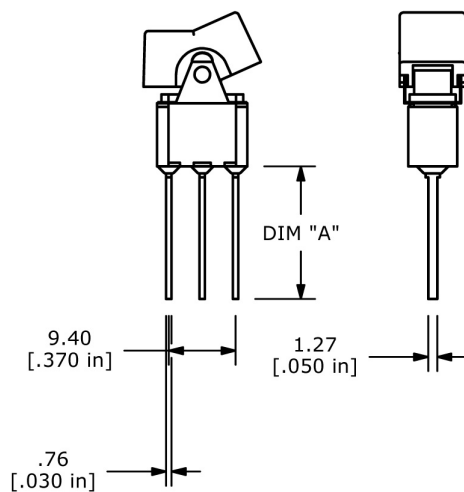


See Switch Function details (page 3) for complete terminal spacing dimensions for DP, 3P, and 4P switch models.

M3 Termination



M5 Termination



| OPTION | DIM "A" |
|--------|------------------|
| M51 | 18.70 [.736] |
| M52 | 24.20 [.953] |
| M53 | 10.55 [.415] |
| M54 | 26.97 [1.062] |

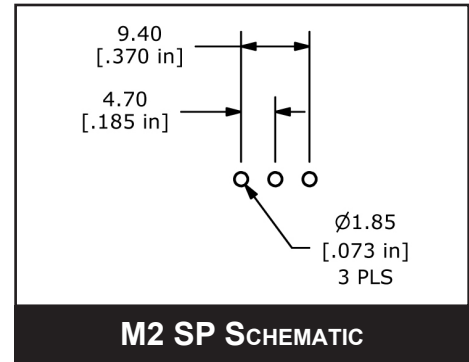
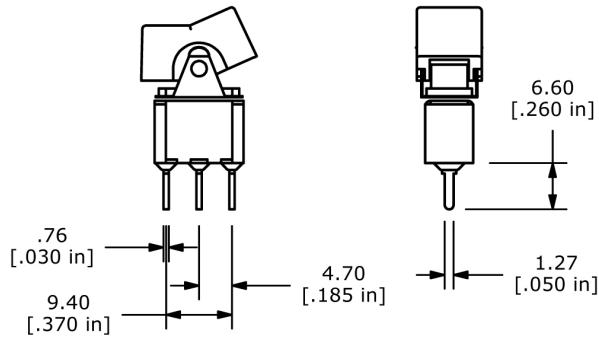


300 SERIES ROCKER SWITCH

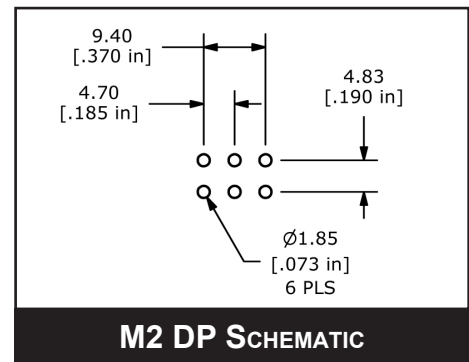
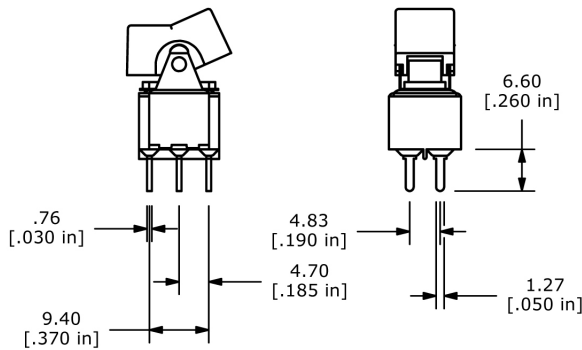
PC Mount M2 Termination

- ANTI-VANDAL SWITCHES
- DETECTOR SWITCHES
- DIP SWITCHES
- KEYLOCK SWITCHES
- NAVIGATION SWITCHES
- PUSHBUTTON SWITCHES
- ROCKER SWITCHES**
- ROTARY SWITCHES
- SLIDE SWITCHES
- SNAP ACTION SWITCHES
- TACTILE SWITCHES
- TOGGLE SWITCHES
- CAP OPTIONS

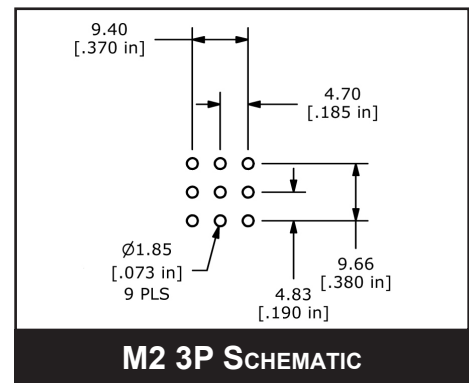
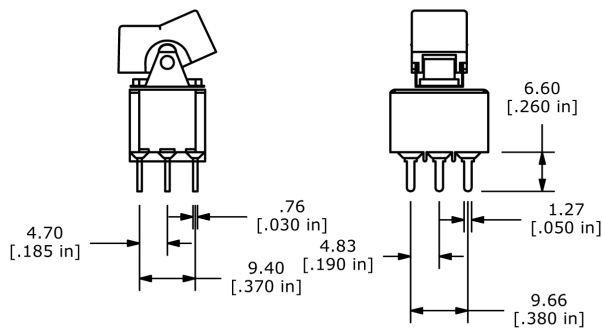
M2 Termination - SP



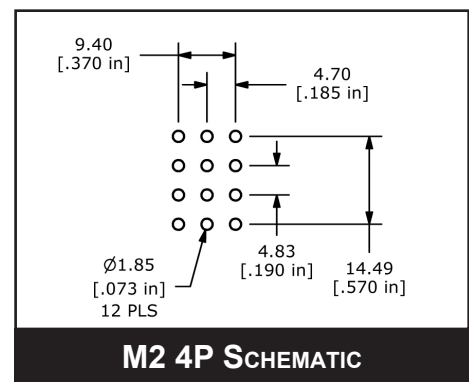
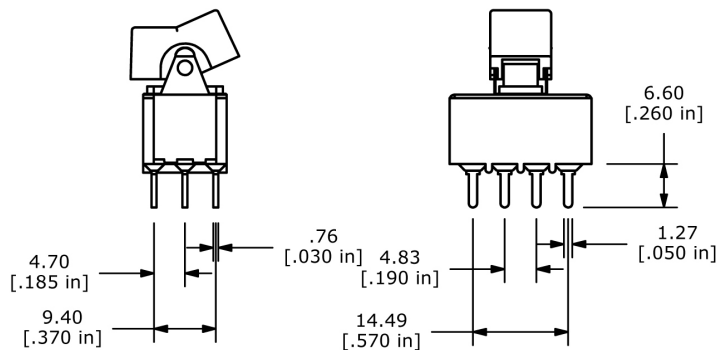
M2 Termination - DP



M2 Termination - 3P



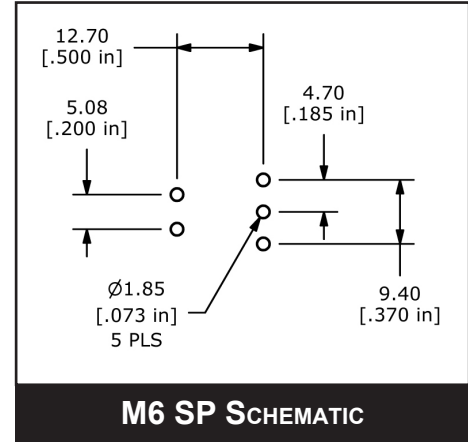
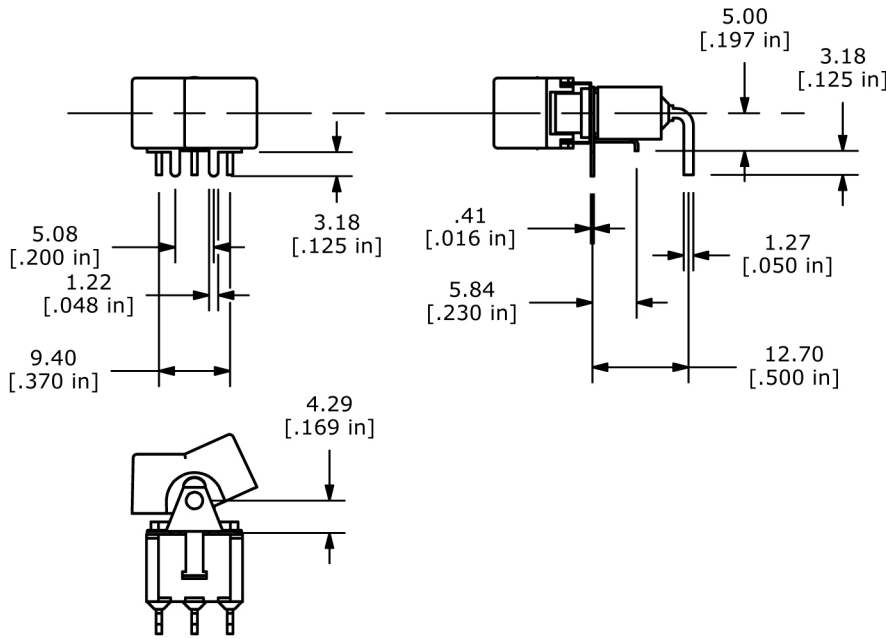
M2 Termination - 4P



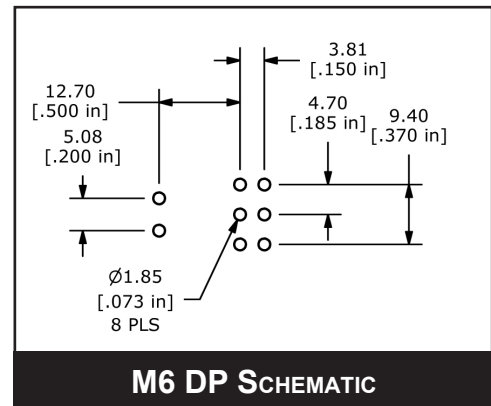
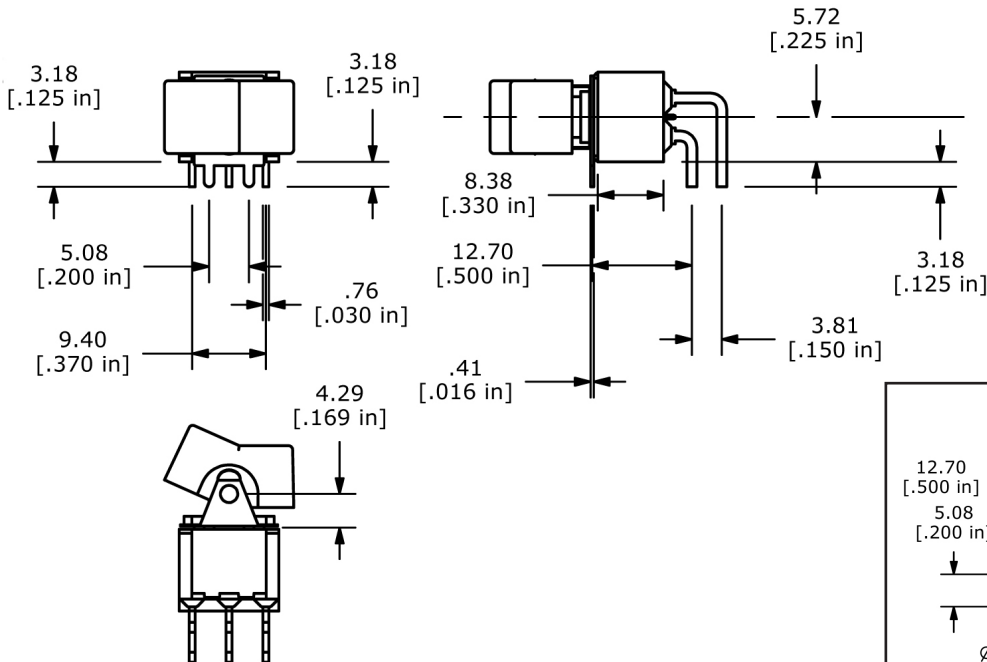
300 SERIES ROCKER SWITCH

PC Mount M6 Termination

M6 Termination - SP



M6 Termination - DP

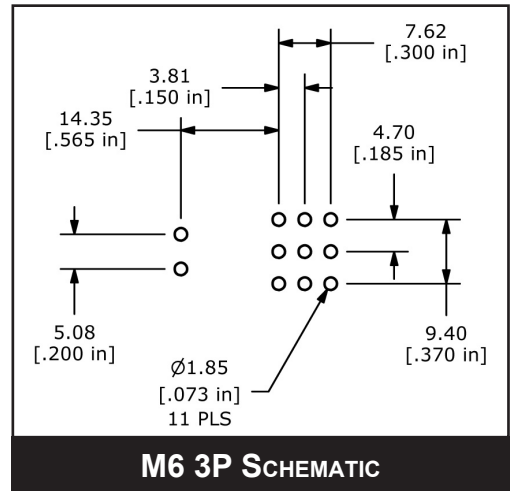
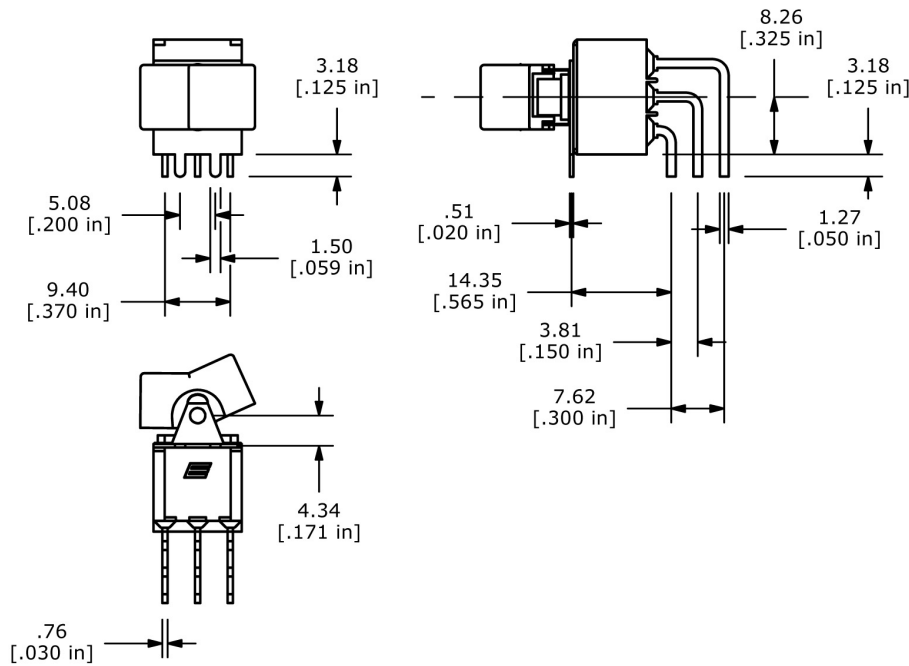


ANTI-VANDAL SWITCHES
 DETECTOR SWITCHES
 DIP SWITCHES
 KEYLOCK SWITCHES
 NAVIGATION SWITCHES
 PUSHBUTTON SWITCHES
ROCKER SWITCHES
 ROTARY SWITCHES
 SLIDE SWITCHES
 SNAP ACTION SWITCHES
 TACTILE SWITCHES
 TOGGLE SWITCHES
 CAP OPTIONS

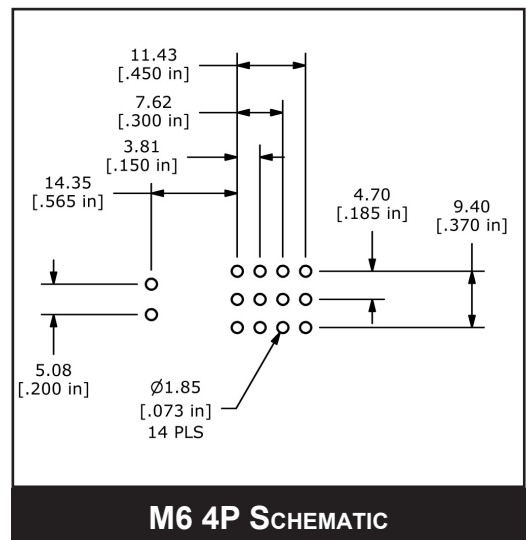
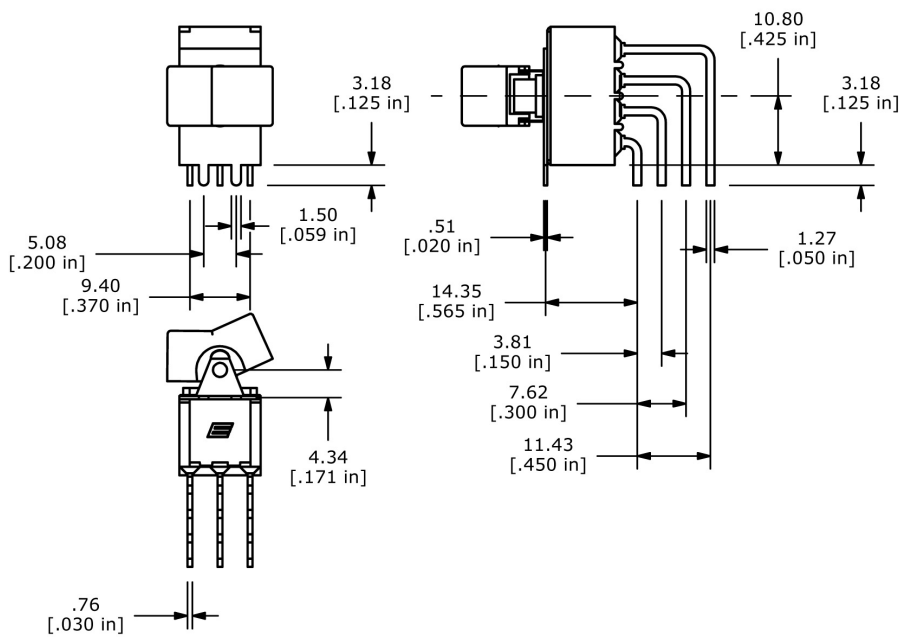
300 SERIES ROCKER SWITCH

PC Mount M6 Termination

M6 Termination - 3P



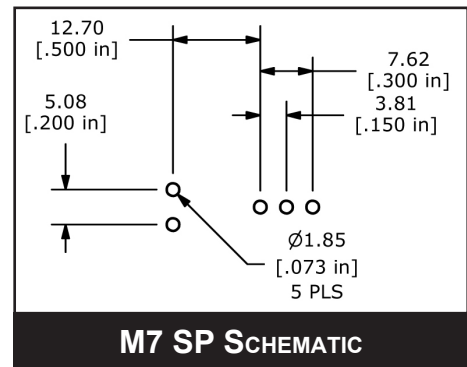
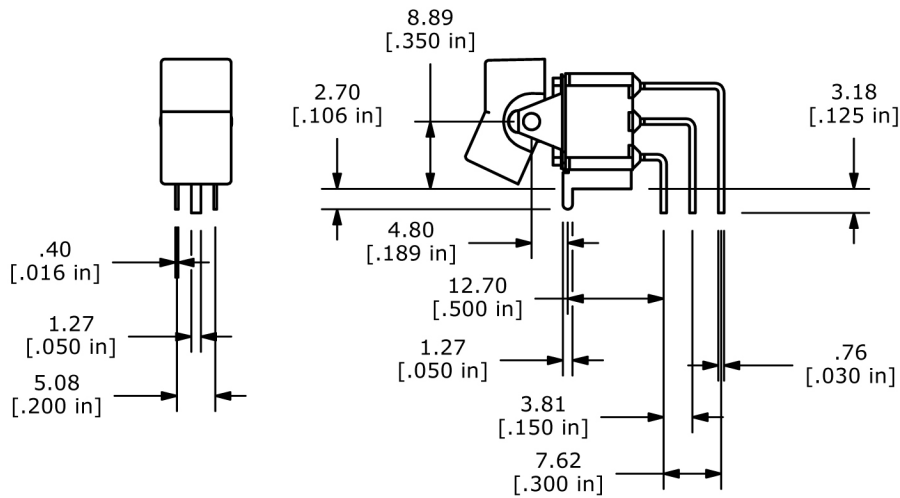
M6 Termination - 4P



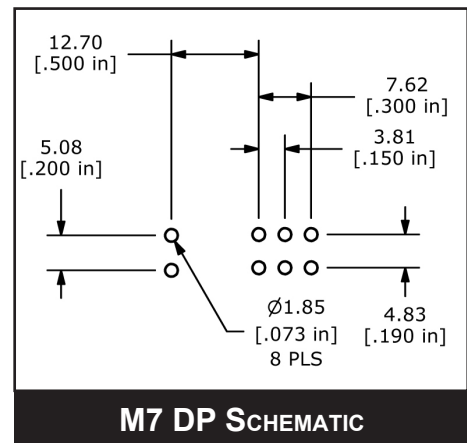
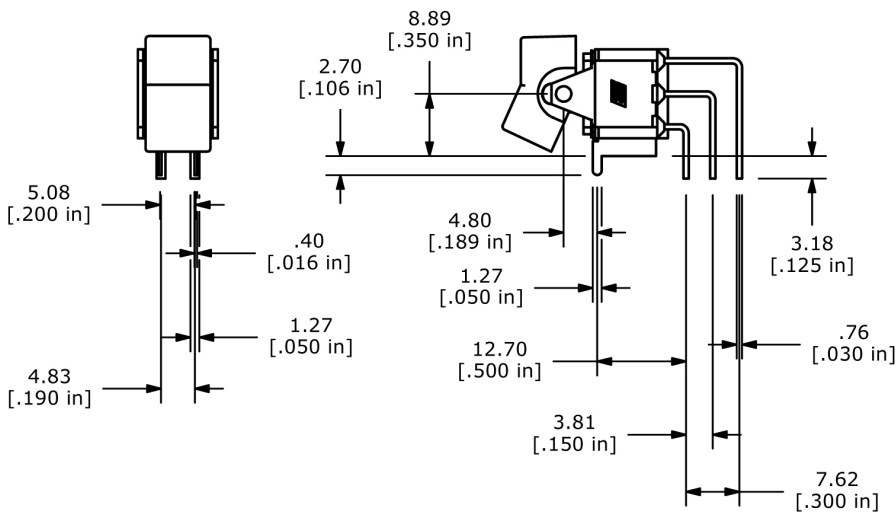
300 SERIES ROCKER SWITCH

PC Mount M7 Termination

M7 Termination - SP



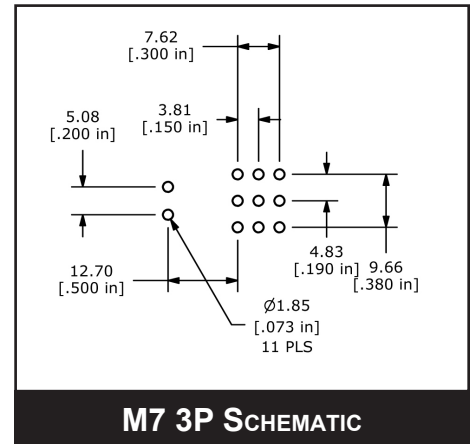
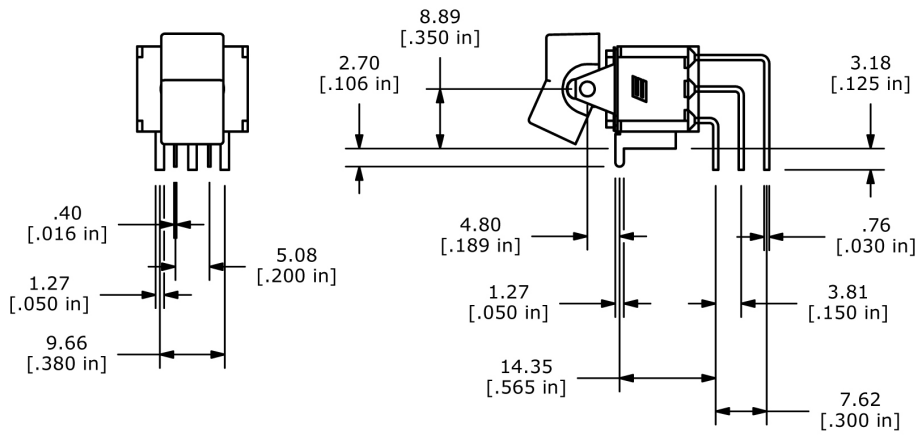
M7 Termination - DP



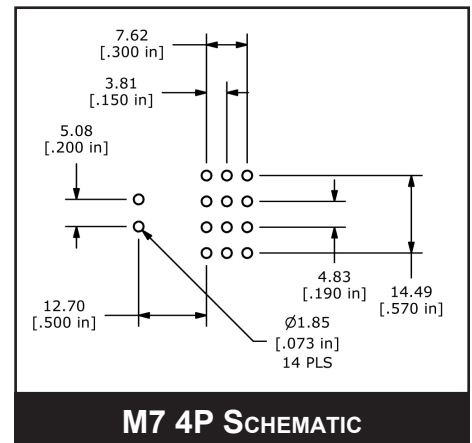
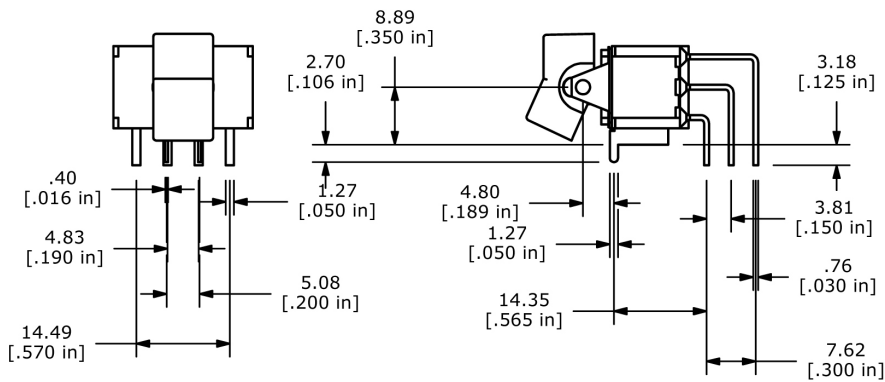
300 SERIES ROCKER SWITCH

PC Mount M7 Termination Options

M7 Termination - 3P



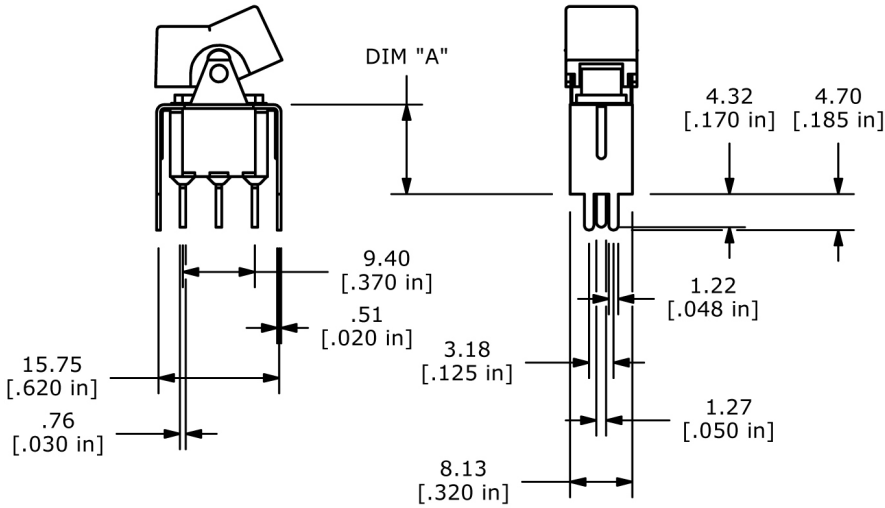
M7 Termination - 4P



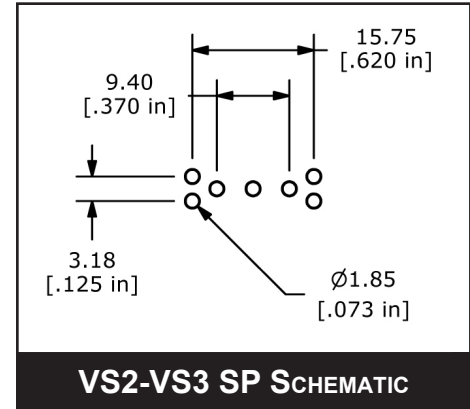
300 SERIES ROCKER SWITCH

PC Mount VS2-VS3 Termination

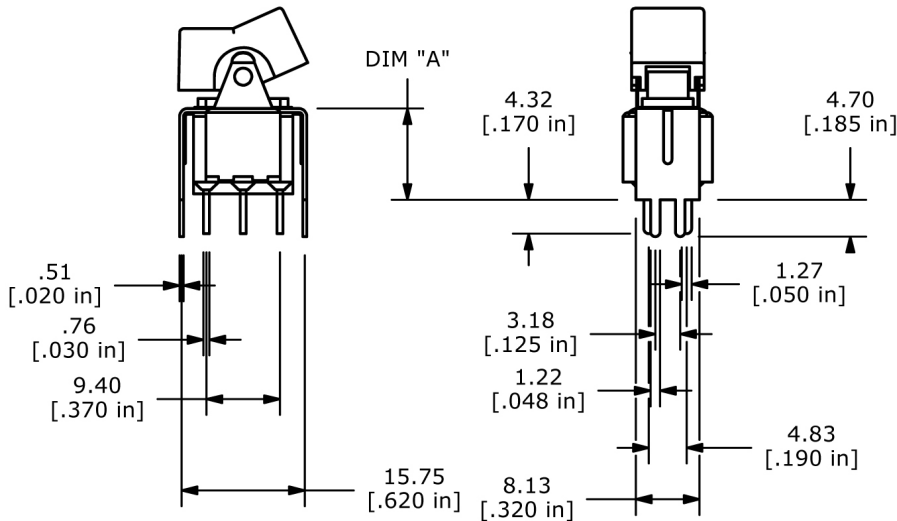
VS2-VS3 Termination - SP



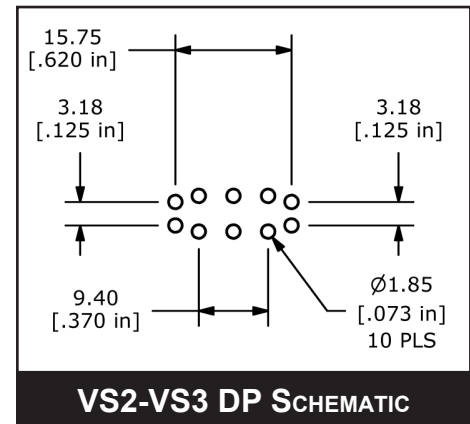
| OPTION | DIM "A" |
|--------|-----------------|
| VS2 | 11.68 [.460] |
| VS3 | 16.00 [.630] |



VS2-VS3 Termination - DP



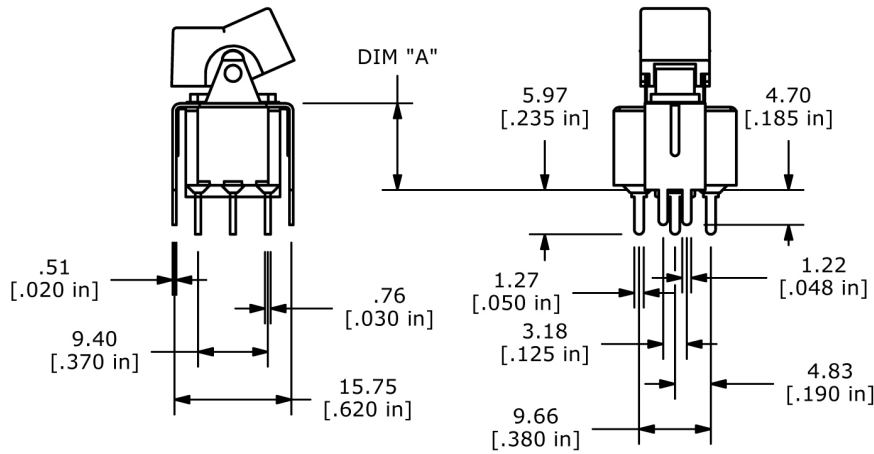
| OPTION | DIM "A" |
|--------|-----------------|
| VS2 | 11.68 [.460] |
| VS3 | 16.00 [.630] |



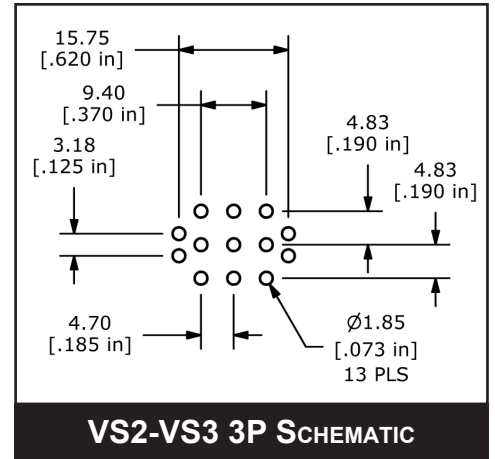
300 SERIES ROCKER SWITCH

PC Mount VS2-VS3 Termination

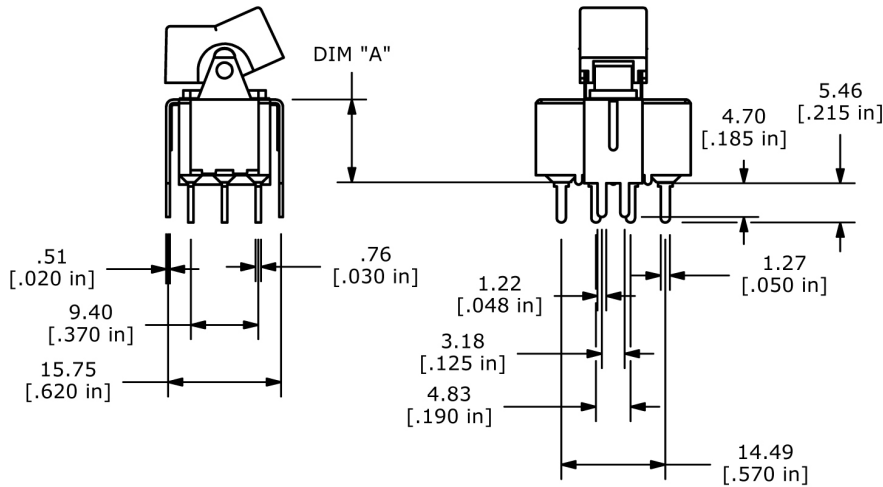
VS2-VS3 Termination - 3P



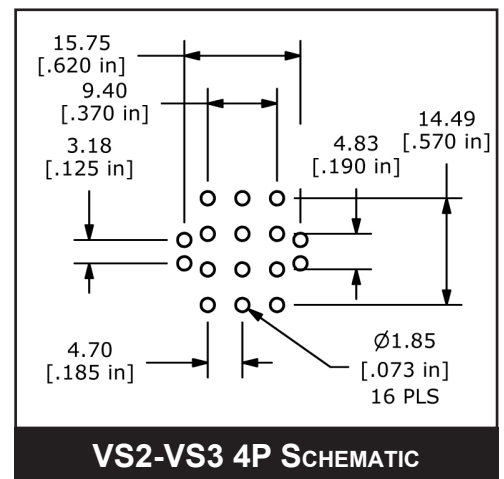
| OPTION | DIM "A" |
|--------|-----------------|
| VS2 | 11.68 [.460] |
| VS3 | 16.00 [.630] |



VS2-VS3 Termination - 4P



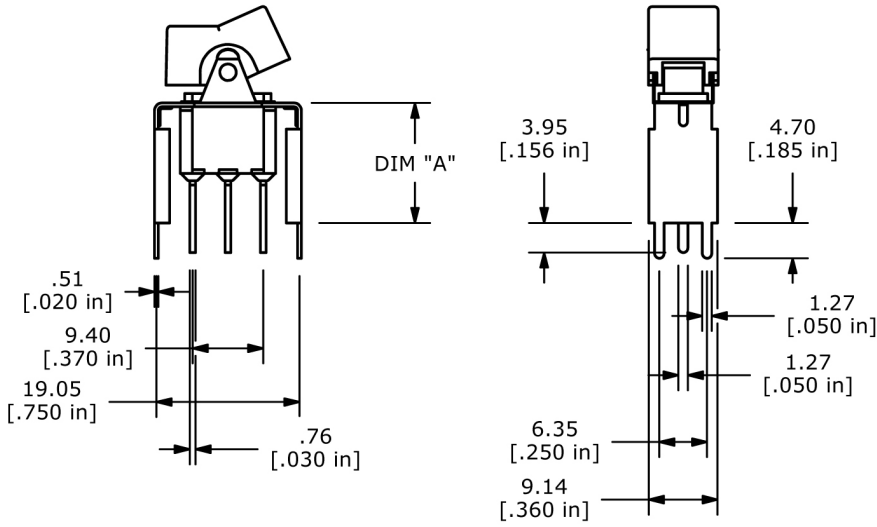
| OPTION | DIM "A" |
|--------|-----------------|
| VS2 | 11.68 [.460] |
| VS3 | 16.00 [.630] |



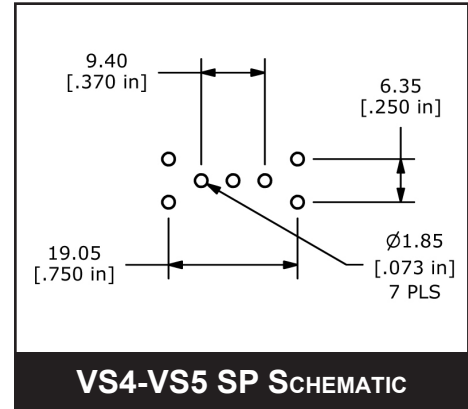
300 SERIES ROCKER SWITCH

PC Mount VS4-VS5 Termination

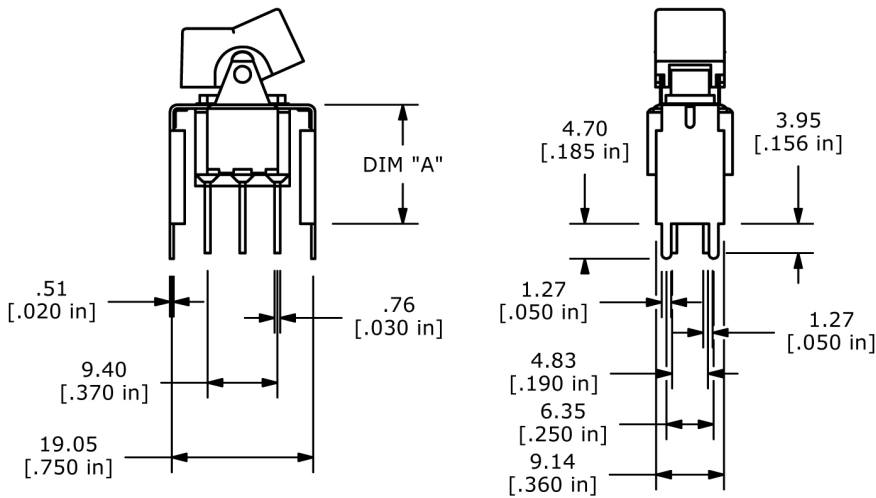
VS4-VS5 Termination - SP



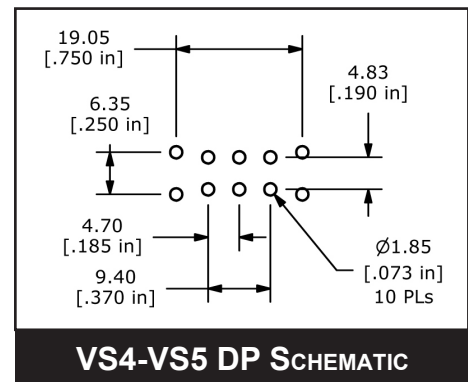
| OPTION | DIM "A" |
|--------|-----------------|
| VS4 | 11.68 [.460] |
| VS5 | 16.00 [.630] |



VS4-VS5 Termination - DP



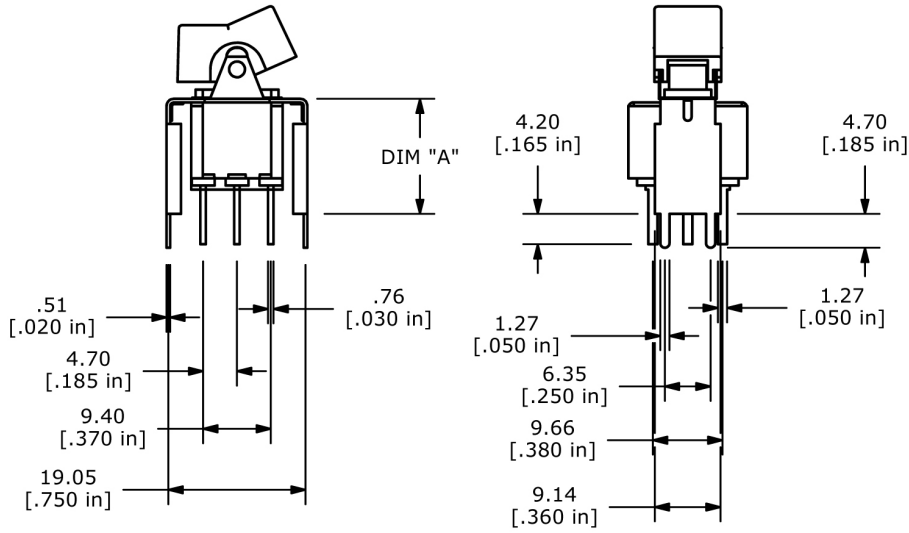
| OPTION | DIM "A" |
|--------|-----------------|
| VS4 | 11.68 [.460] |
| VS5 | 16.00 [.630] |



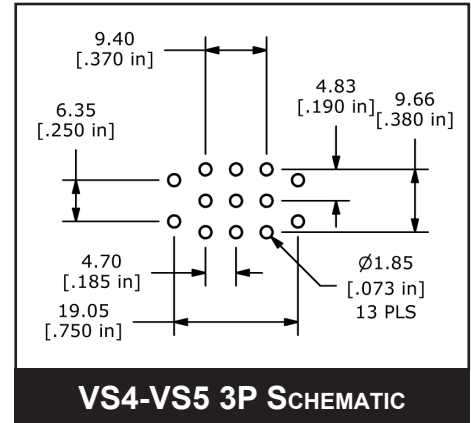
300 SERIES ROCKER SWITCH

PC Mount VS4-VS5 Termination

VS4-VS5 Termination - 3P

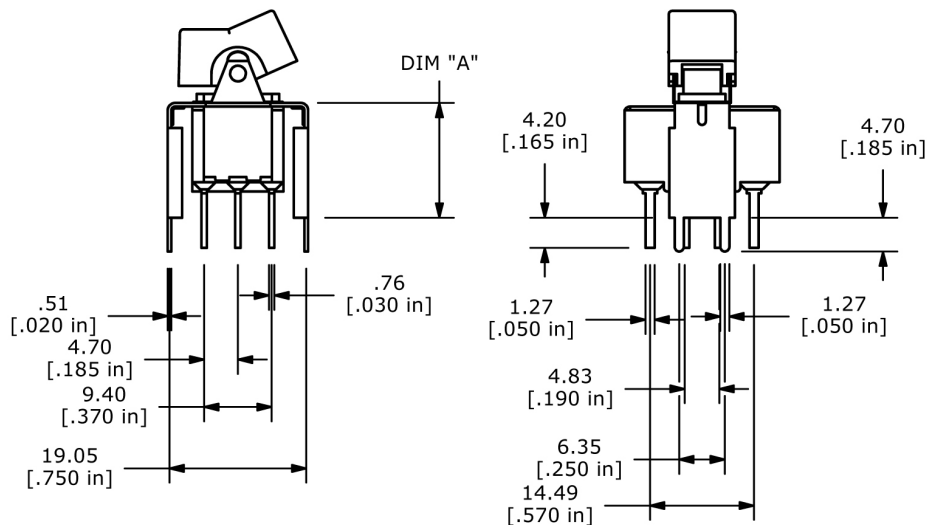


| OPTION | DIM "A" |
|--------|-----------------|
| VS4 | 11.68 [.460] |
| VS5 | 16.00 [.630] |

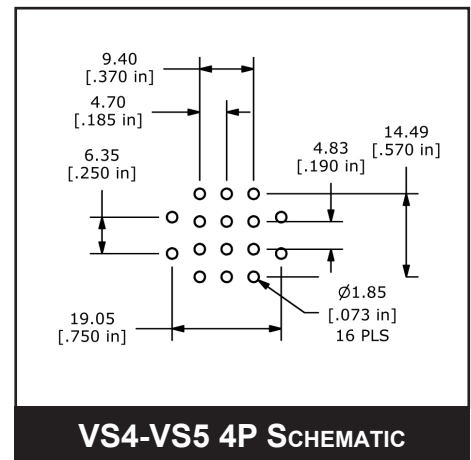


VS4-VS5 3P SCHEMATIC

VS4-VS5 Termination - 4P



| OPTION | DIM "A" |
|--------|-----------------|
| VS4 | 11.68 [.460] |
| VS5 | 16.00 [.630] |



VS4-VS5 4P SCHEMATIC

