

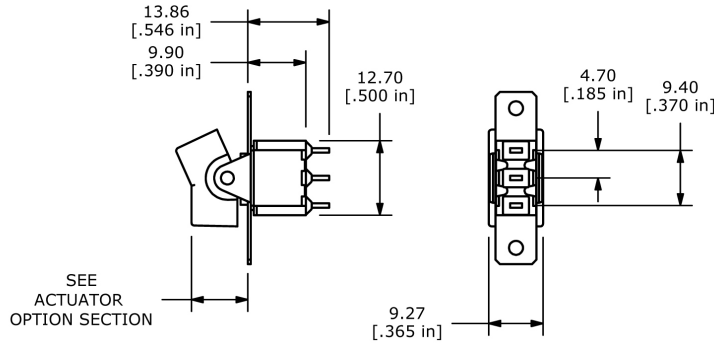


# 300 SERIES ROCKER SWITCH

## Switch Functions

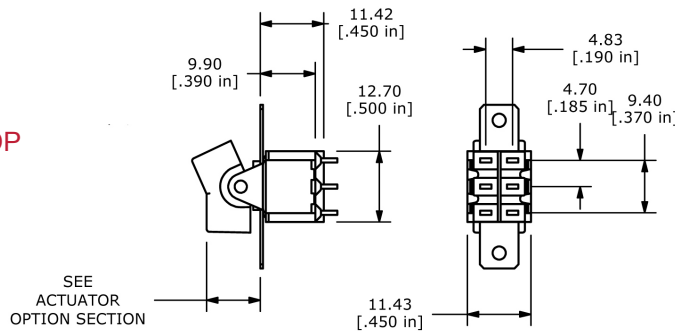
( ) = momentary

### Single Pole - SP



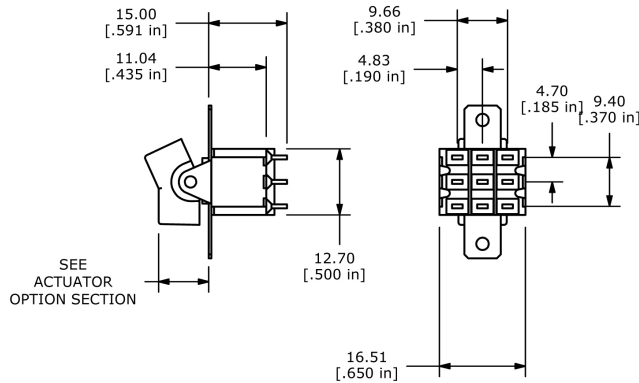
MODEL NO.	POS. 1	POS. 2	POS. 3
SP1	ON	NONE	ON
SP2	ON	NONE	(ON)
SP3	ON	OFF	ON
SP4	(ON)	OFF	(ON)
SP5	ON	OFF	(ON)
Term. Comm.	2-3	OPEN	2-1

### Double Pole - DP



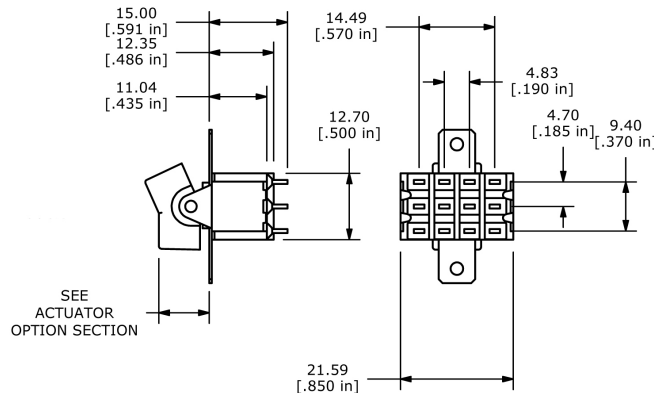
MODEL NO.	POS. 1	POS. 2	POS. 3
DP1	ON	NONE	ON
DP2	ON	NONE	(ON)
DP3	ON	OFF	ON
DP4	(ON)	OFF	(ON)
DP5	ON	OFF	(ON)
DP7	ON	ON	(ON)
DP8	(ON)	ON	(ON)
Term. Comm.	2-3, 5-6	OPEN	2-1, 5-4
Term. Comm.	2-3, 5-6	2-3, 5-4	2-1, 5-4

### Triple Pole - 3P



MODEL NO.	POS. 1	POS. 2	POS. 3
3P1	ON	NONE	ON
3P2	ON	NONE	(ON)
3P3	ON	OFF	ON
3P4	(ON)	OFF	(ON)
3P5	ON	OFF	(ON)
Term. Comm.	2-3, 5-6, 8-9	OPEN	2-1, 5-4, 8-7

### Four Pole - 4P



MODEL NO.	POS. 1	POS. 2	POS. 3
4P1	ON	NONE	ON
4P2	ON	NONE	(ON)
4P3	ON	OFF	ON
4P4	(ON)	OFF	(ON)
4P5	ON	OFF	(ON)
Term. Comm.	2-3, 5-6, 8-9, 11-12	OPEN	2-1, 5-4, 8-7, 11-10
4P6	ON	ON	ON
Term. Comm.	2-3, 5-6, 8-9, 11-12	2-3, 5-4, 8-9, 11-10	2-1, 5-4, 8-7, 11-10

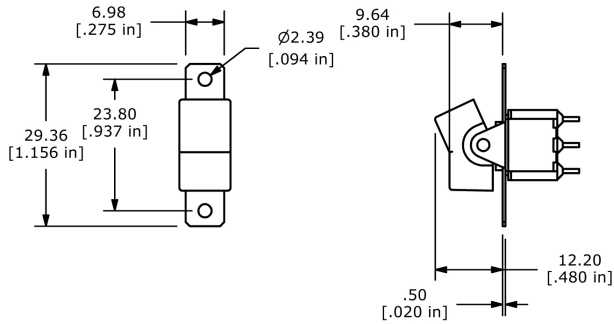


ANTI-VANDAL SWITCHES  
DETECTOR SWITCHES  
DIP SWITCHES  
KEYLOCK SWITCHES  
NAVIGATION SWITCHES  
PUSHBUTTON SWITCHES  
ROCKER SWITCHES  
ROTARY SWITCHES  
SLIDE SWITCHES  
SNAP ACTION SWITCHES  
TACTILE SWITCHES  
TOGGLE SWITCHES  
CAP OPTIONS

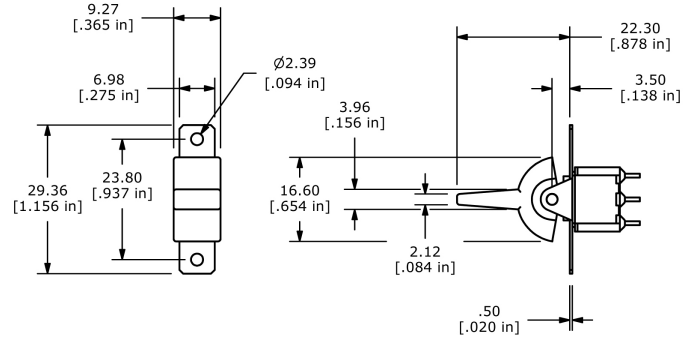
# 300 SERIES ROCKER SWITCH

## Panel Mount Actuator

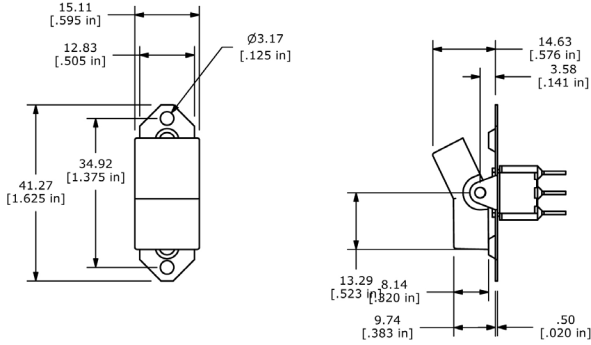
R1 Actuator



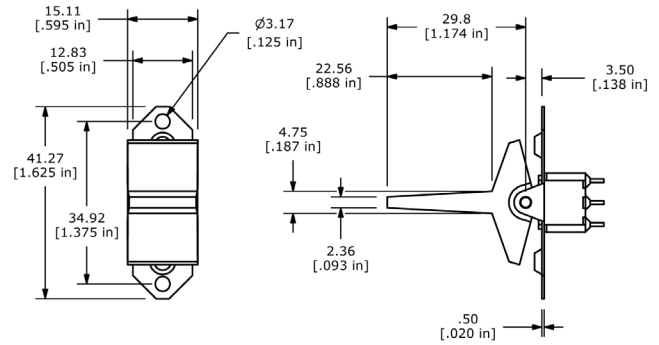
R2 Actuator



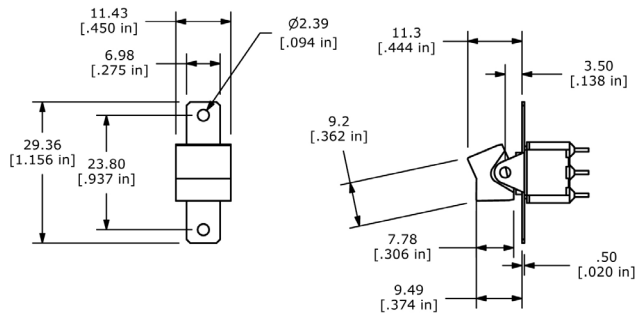
R3 Actuator



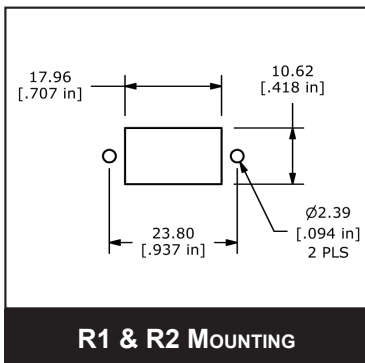
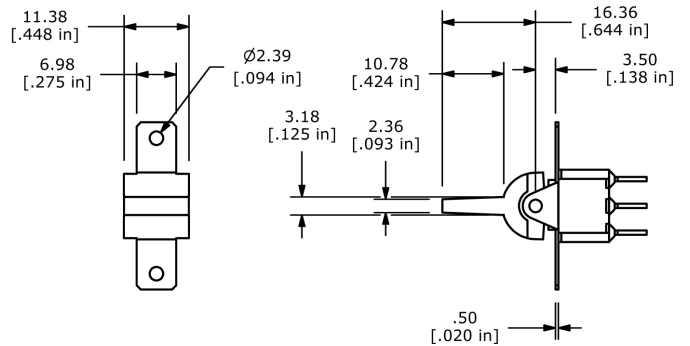
R4 Actuator



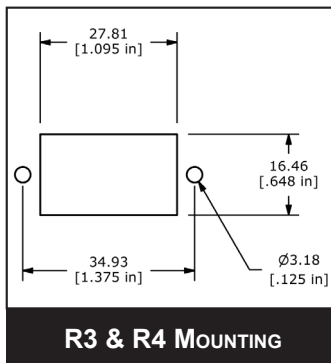
R11 Actuator



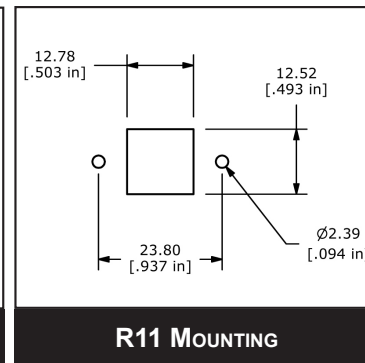
R16 Actuator



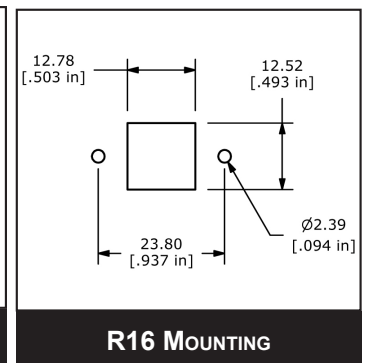
R1 & R2 MOUNTING



R3 & R4 MOUNTING



R11 MOUNTING



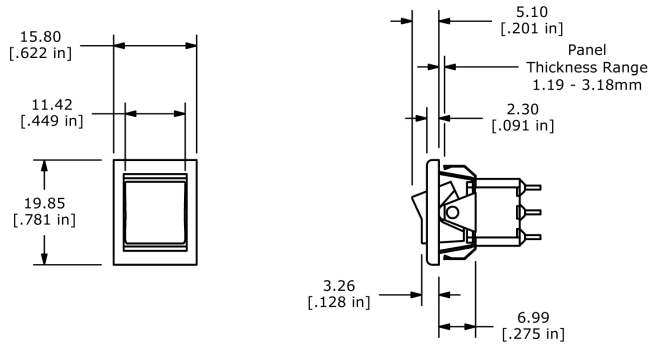
R16 MOUNTING



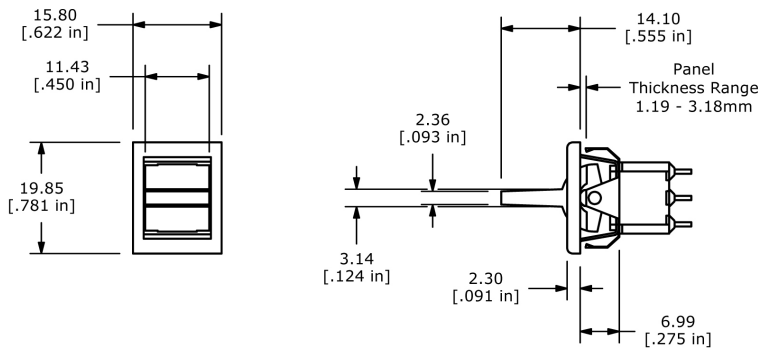
# 300 SERIES ROCKER SWITCH

## Snap-in Panel Mount Actuator

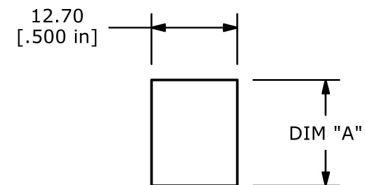
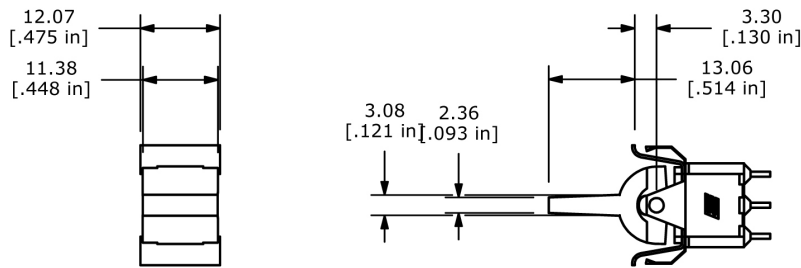
### R6 Actuator



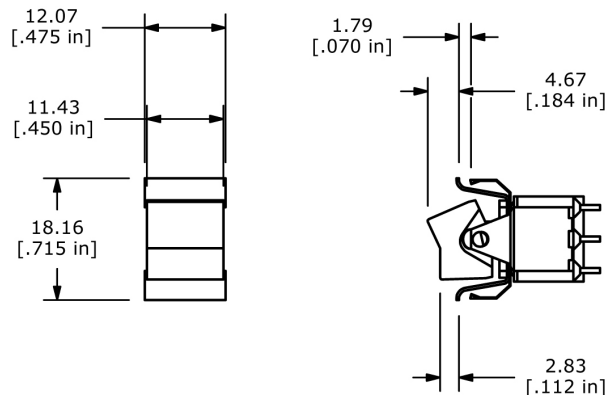
### R7 Actuator



### R8 Actuator



### R9 Actuator

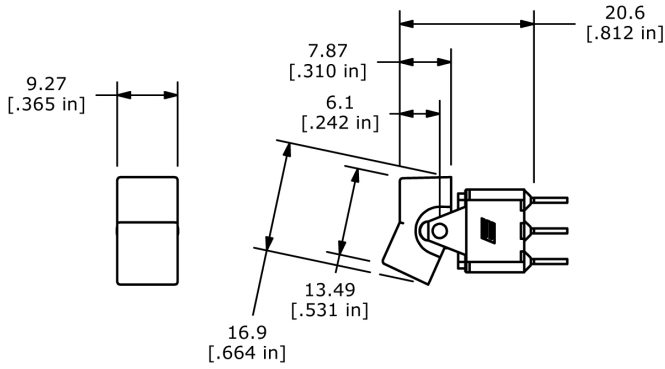


ACTUATOR OPTION	PANEL THICKNESS	DIM "A"
R6 or R7	1.19-1.51 [.047-.060]	15.70 [.619]
R6 or R7	1.52-3.18 [.061-.125]	15.85 [.624]
R8 or R9	1.19-2.29 [.047-.090]	15.70 [.619]
R8 or R9	2.30-3.18 [.091-.125]	15.85 [.624]

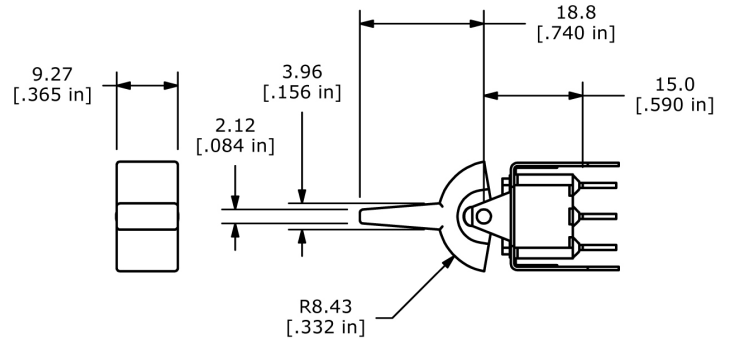


## PC Mount Actuator

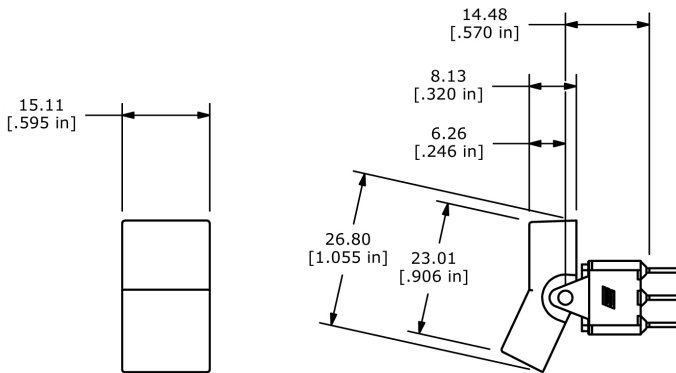
### J1 Actuator



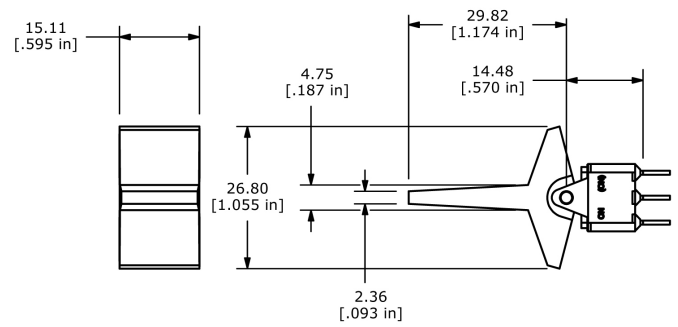
### J2 Actuator



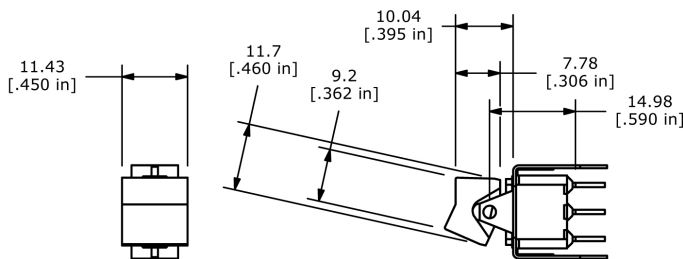
### J3 Actuator



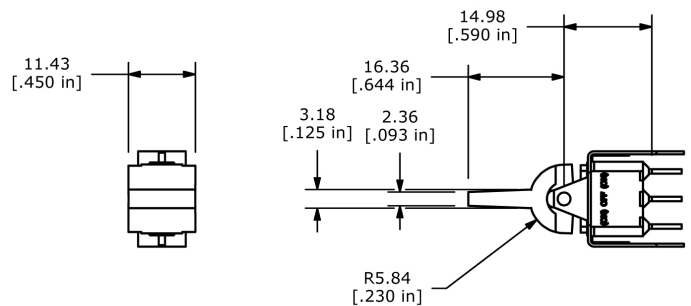
### J4 Actuator



### J5 Actuator



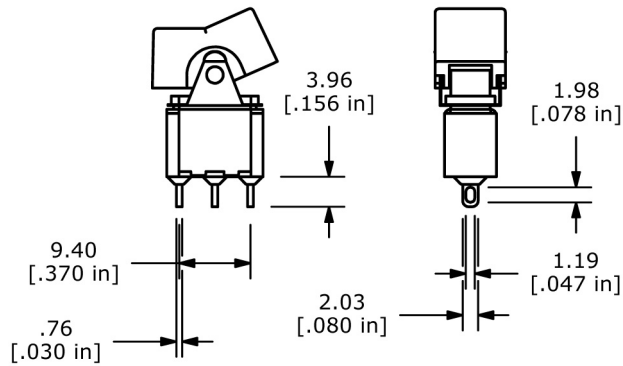
### J6 Actuator



# 300 SERIES ROCKER SWITCH

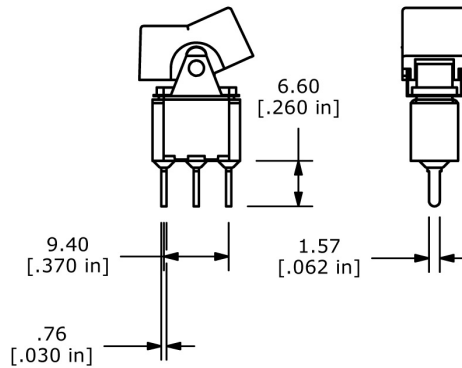
## Panel Mount Termination

### M1 Termination

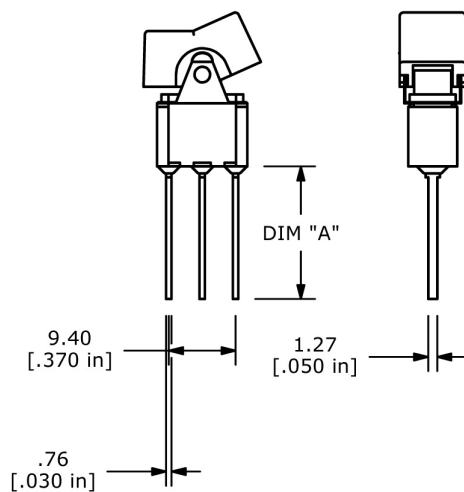


See Switch Function details (page 3) for complete terminal spacing dimensions for DP, 3P, and 4P switch models.

### M3 Termination



### M5 Termination



OPTION	DIM "A"
M51	18.70 [.736]
M52	24.20 [.953]
M53	10.55 [.415]
M54	26.97 [1.062]

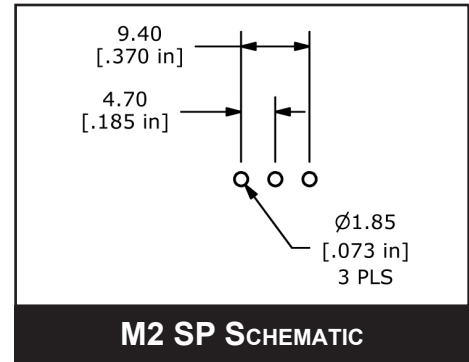
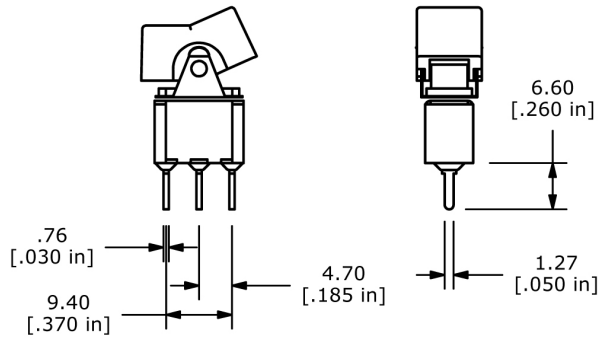


# 300 SERIES ROCKER SWITCH

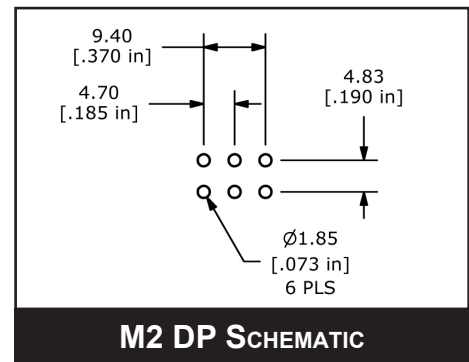
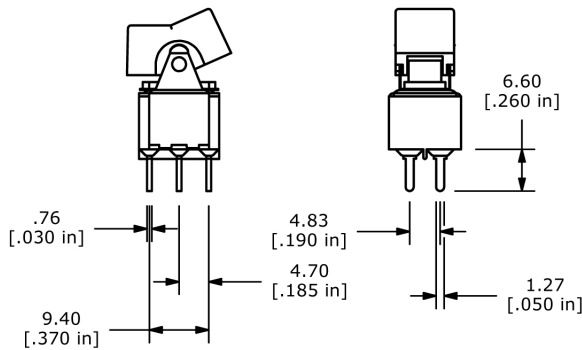
## PC Mount M2 Termination

- ANTI-VANDAL SWITCHES
- DETECTOR SWITCHES
- DIP SWITCHES
- KEYLOCK SWITCHES
- NAVIGATION SWITCHES
- PUSHBUTTON SWITCHES
- ROCKER SWITCHES**
- ROTARY SWITCHES
- SLIDE SWITCHES
- SNAP ACTION SWITCHES
- TACTILE SWITCHES
- TOGGLE SWITCHES
- CAP OPTIONS

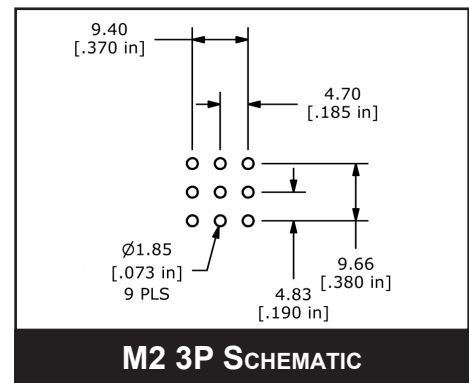
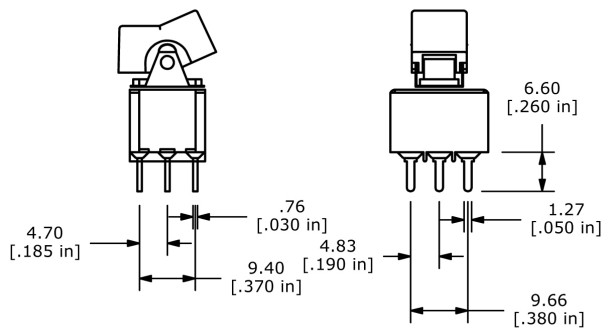
### M2 Termination - SP



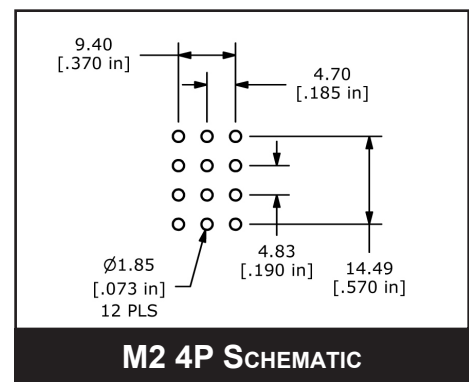
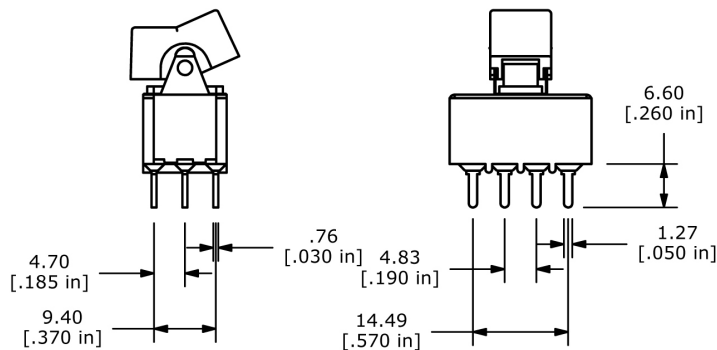
### M2 Termination - DP



### M2 Termination - 3P



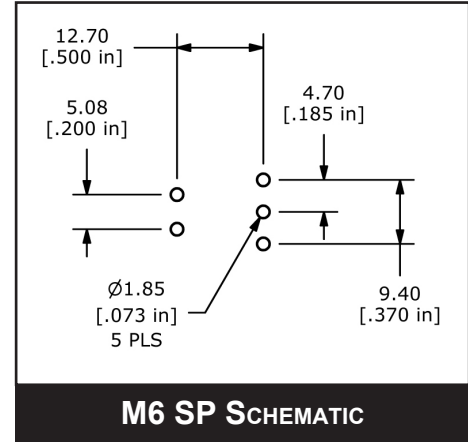
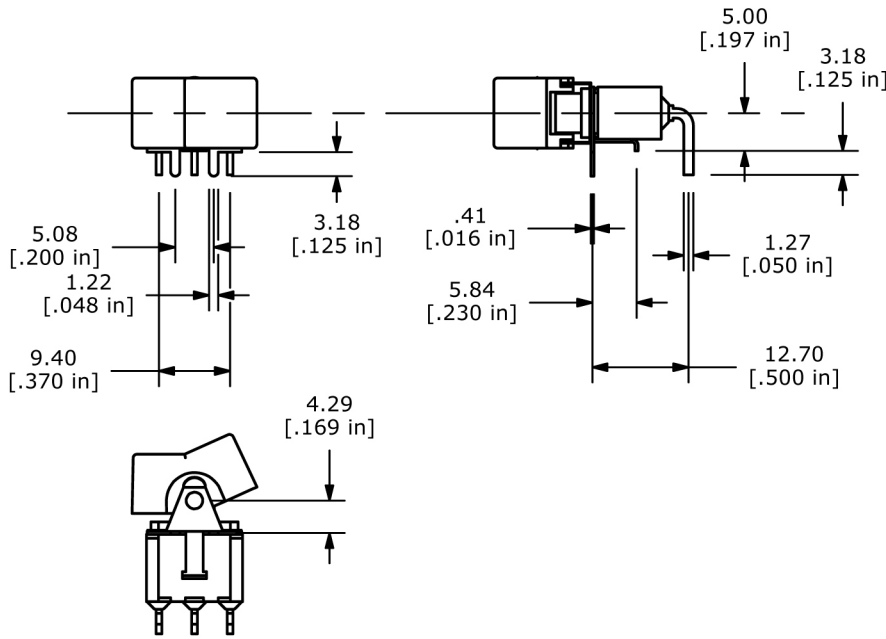
### M2 Termination - 4P



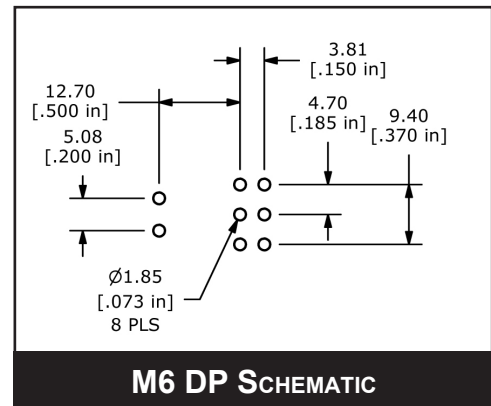
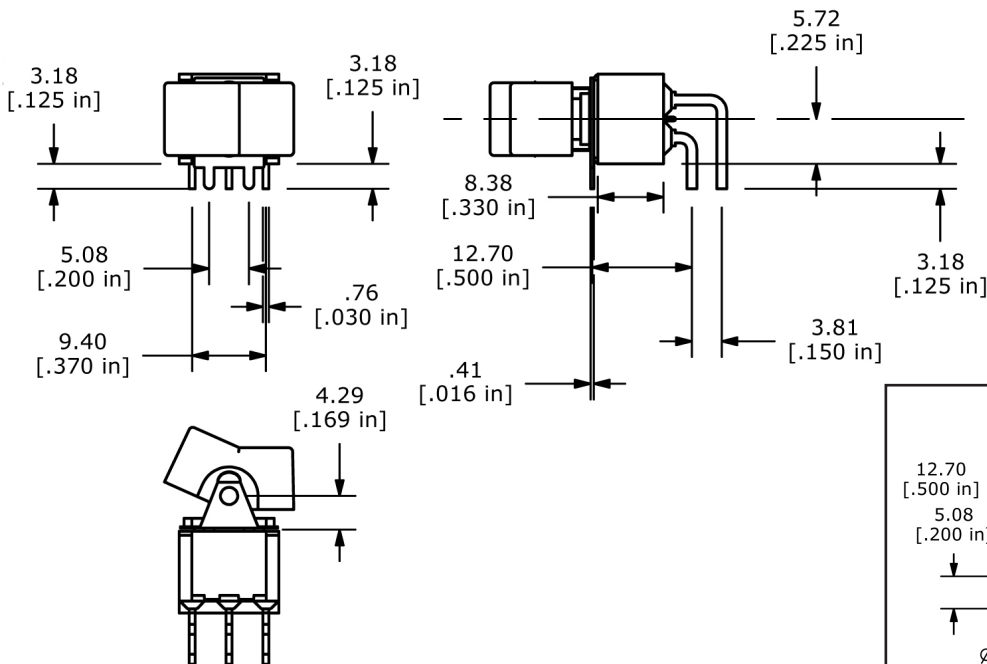
# 300 SERIES ROCKER SWITCH

## PC Mount M6 Termination

### M6 Termination - SP



### M6 Termination - DP

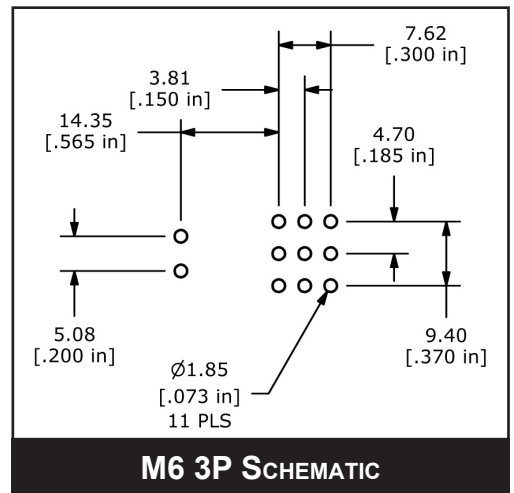
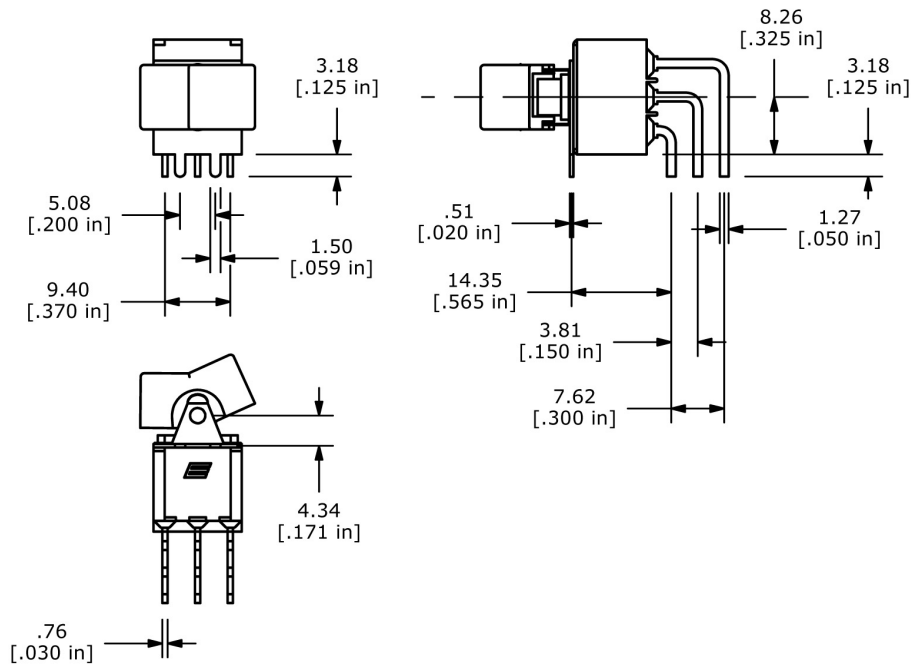




# 300 SERIES ROCKER SWITCH

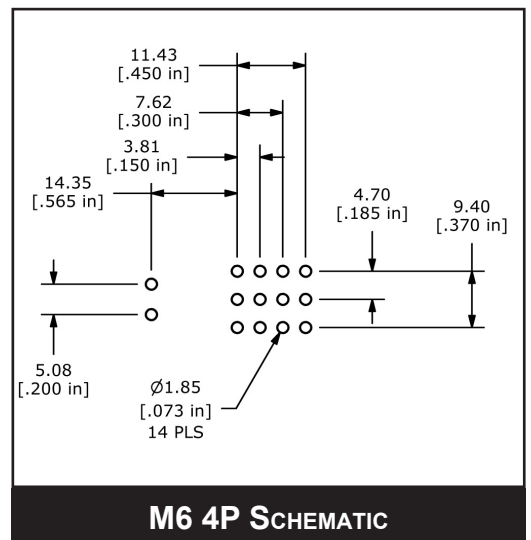
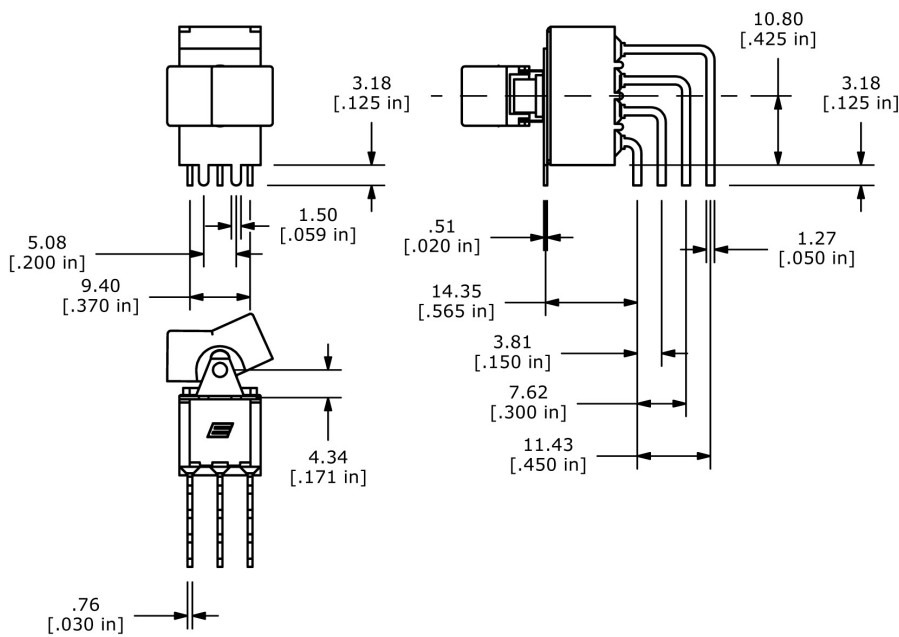
## PC Mount M6 Termination

### M6 Termination - 3P



M6 3P SCHEMATIC

### M6 Termination - 4P



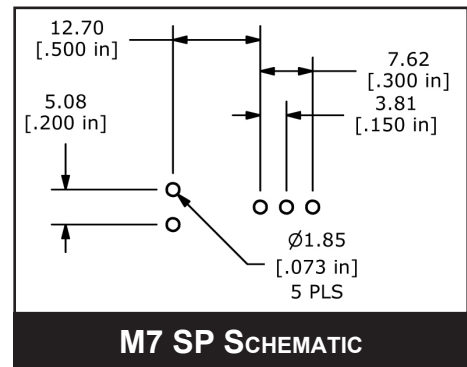
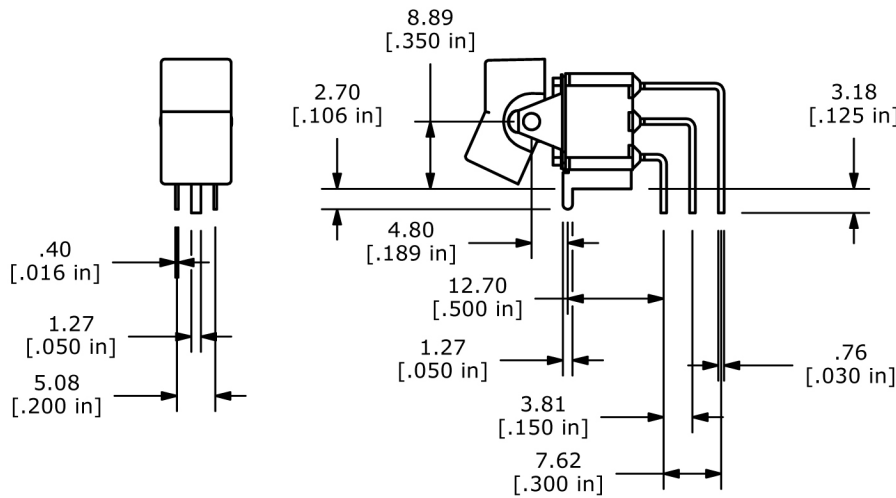
M6 4P SCHEMATIC



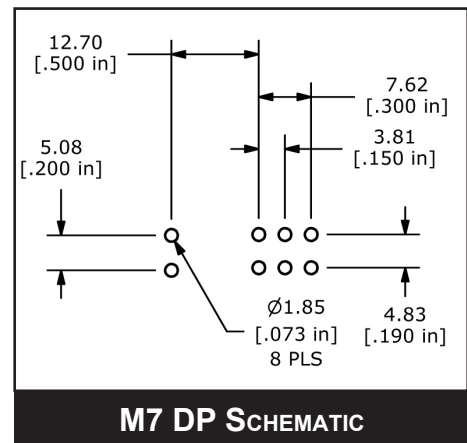
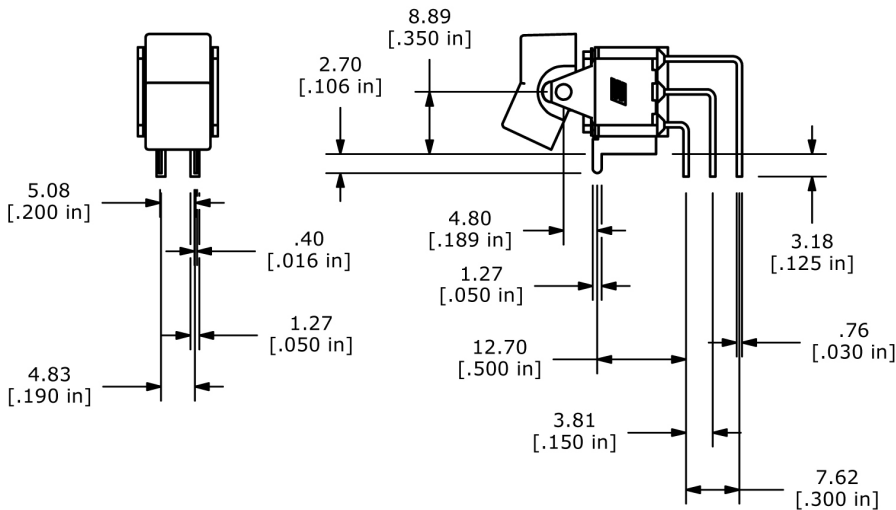
# 300 SERIES ROCKER SWITCH

## PC Mount M7 Termination

### M7 Termination - SP



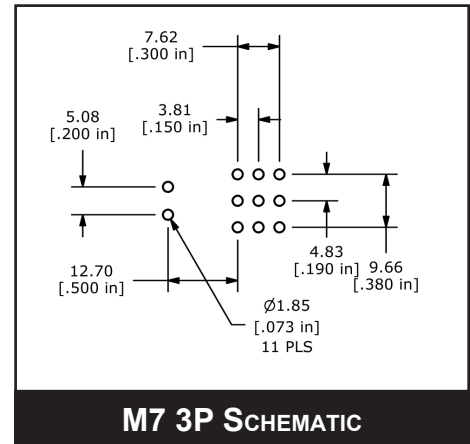
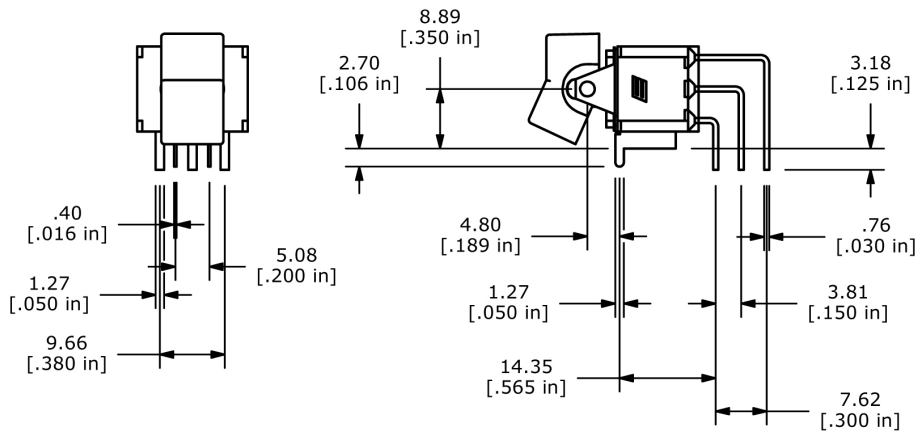
### M7 Termination - DP



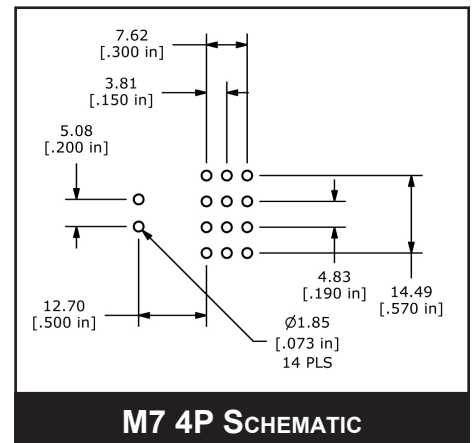
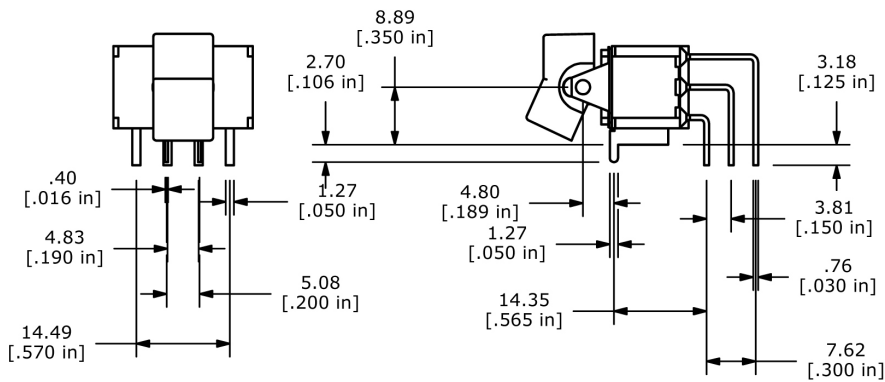
# 300 SERIES ROCKER SWITCH

## PC Mount M7 Termination Options

### M7 Termination - 3P



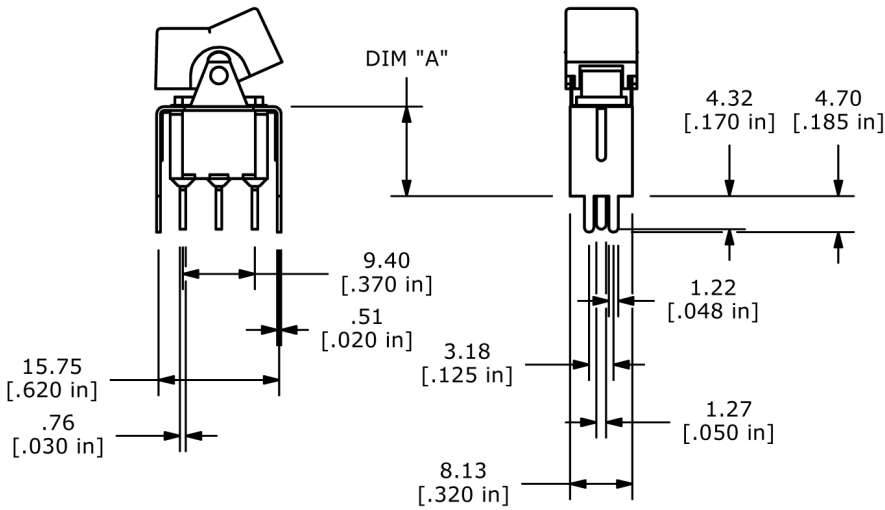
### M7 Termination - 4P



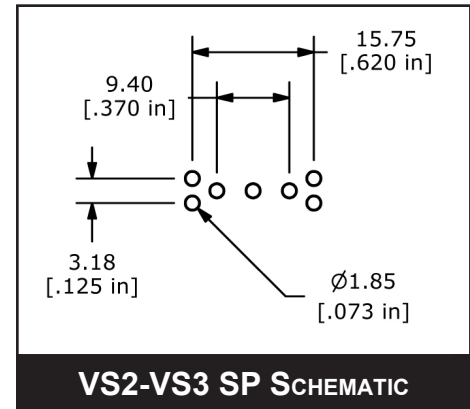
# 300 SERIES ROCKER SWITCH

## PC Mount VS2-VS3 Termination

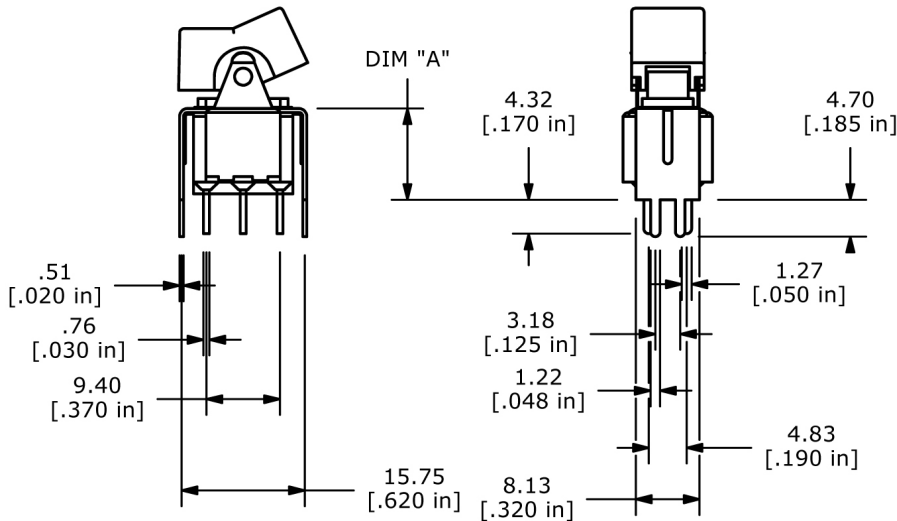
### VS2-VS3 Termination - SP



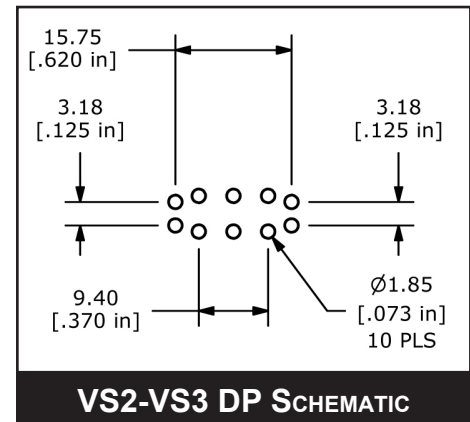
OPTION	DIM "A"
VS2	11.68 [.460]
VS3	16.00 [.630]



### VS2-VS3 Termination - DP



OPTION	DIM "A"
VS2	11.68 [.460]
VS3	16.00 [.630]

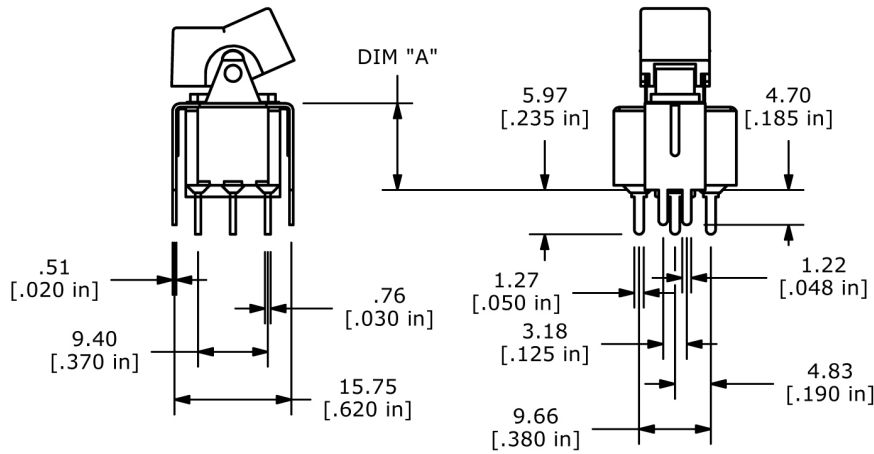


ANTI-VANDAL SWITCHES  
 DETECTOR SWITCHES  
 DIP SWITCHES  
 KEYLOCK SWITCHES  
 NAVIGATION SWITCHES  
 PUSHBUTTON SWITCHES  
**ROCKER SWITCHES**  
 ROTARY SWITCHES  
 SLIDE SWITCHES  
 SNAP ACTION SWITCHES  
 TACTILE SWITCHES  
 TOGGLE SWITCHES  
 CAP OPTIONS

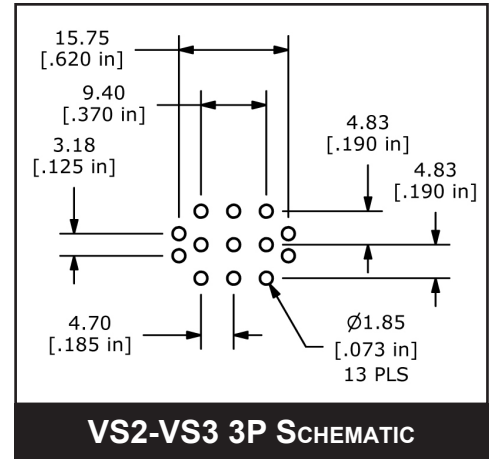
# 300 SERIES ROCKER SWITCH

## PC Mount VS2-VS3 Termination

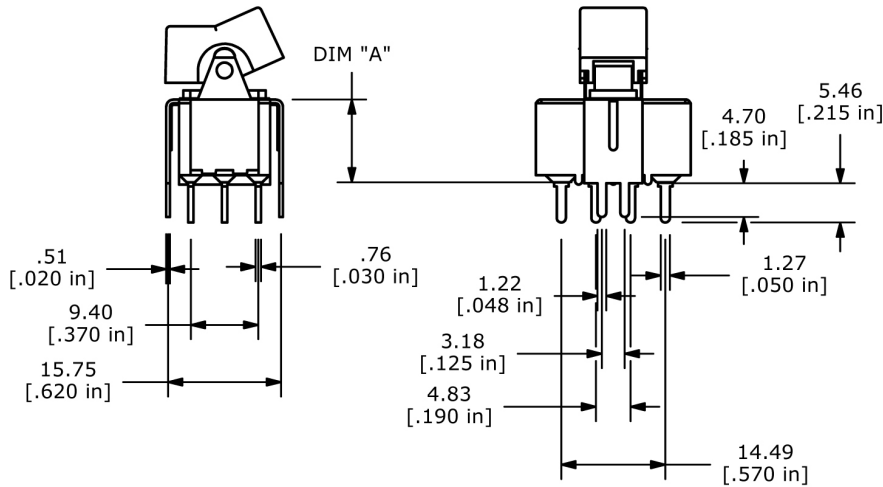
### VS2-VS3 Termination - 3P



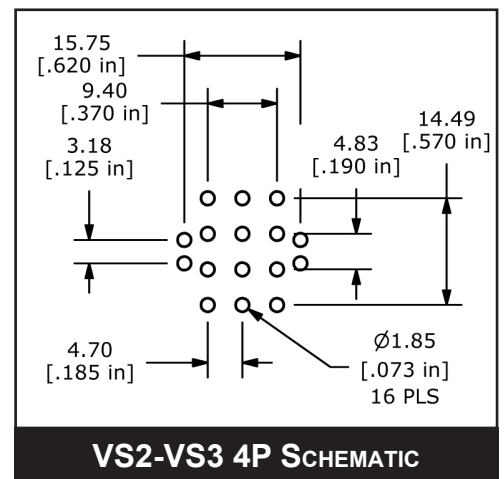
OPTION	DIM "A"
VS2	11.68 [.460]
VS3	16.00 [.630]



### VS2-VS3 Termination - 4P



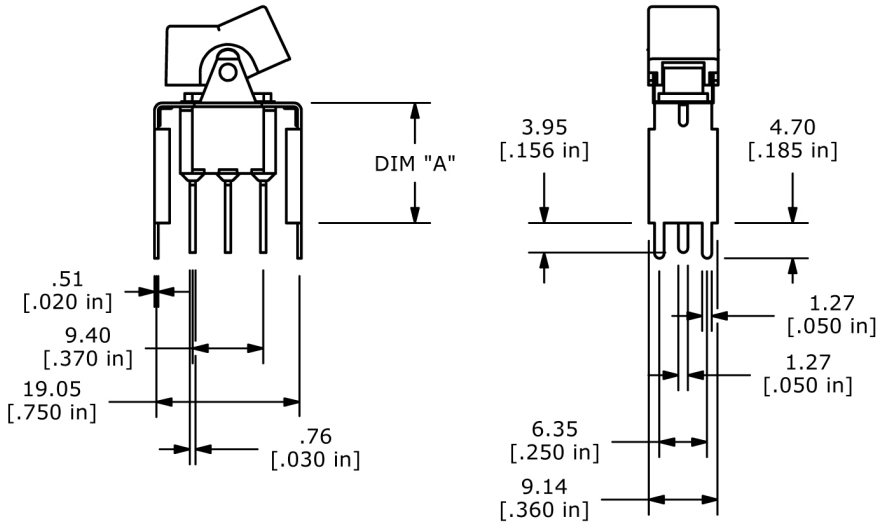
OPTION	DIM "A"
VS2	11.68 [.460]
VS3	16.00 [.630]



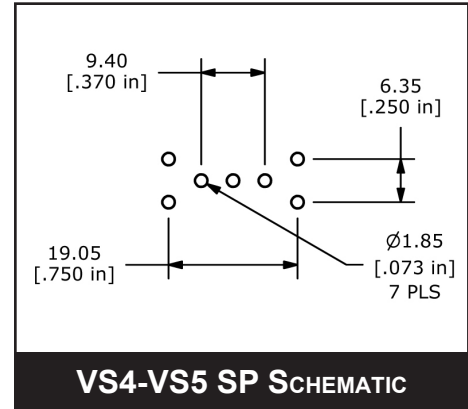
# 300 SERIES ROCKER SWITCH

## PC Mount VS4-VS5 Termination

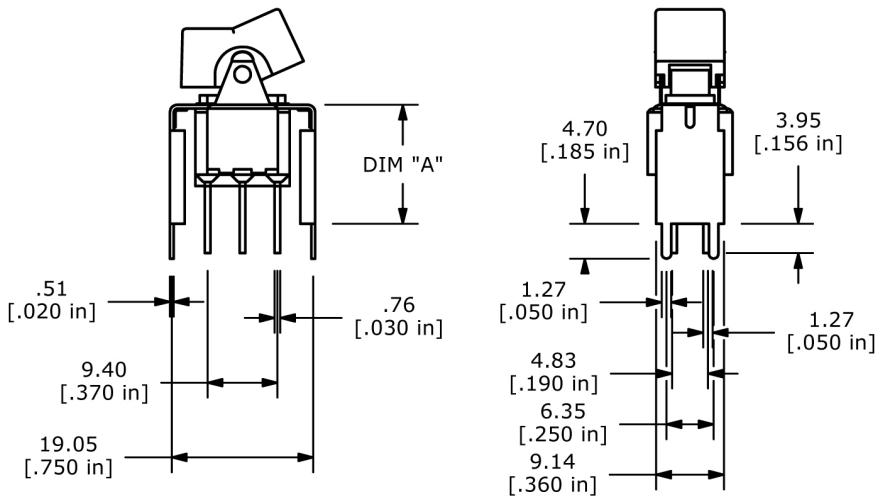
### VS4-VS5 Termination - SP



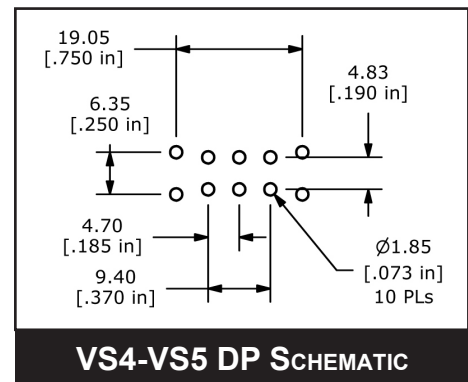
OPTION	DIM "A"
VS4	11.68 [.460]
VS5	16.00 [.630]



### VS4-VS5 Termination - DP



OPTION	DIM "A"
VS4	11.68 [.460]
VS5	16.00 [.630]

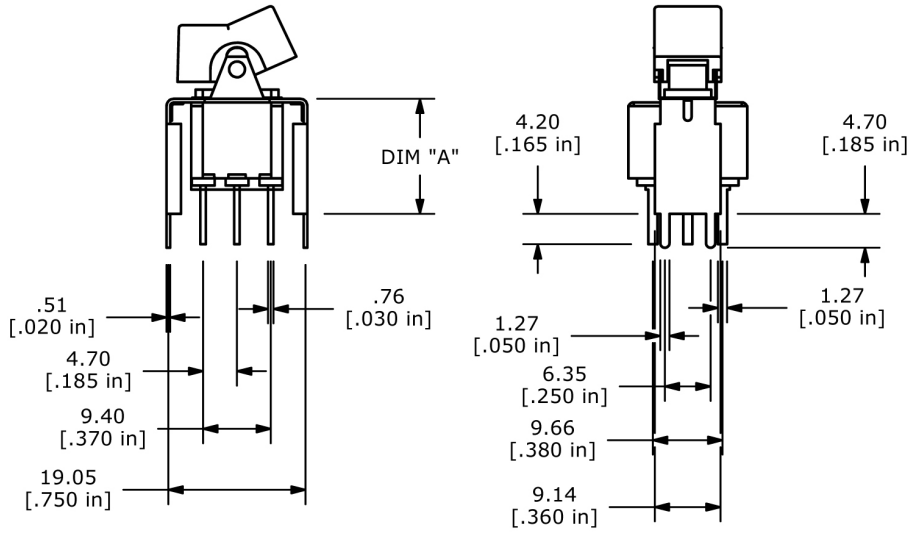


ANTI-VANDAL SWITCHES  
DETECTOR SWITCHES  
DIP SWITCHES  
KEYLOCK SWITCHES  
NAVIGATION SWITCHES  
PUSHBUTTON SWITCHES  
ROCKER SWITCHES  
ROTARY SWITCHES  
SLIDE SWITCHES  
SNAP ACTION SWITCHES  
TACTILE SWITCHES  
TOGGLE SWITCHES  
CAP OPTIONS

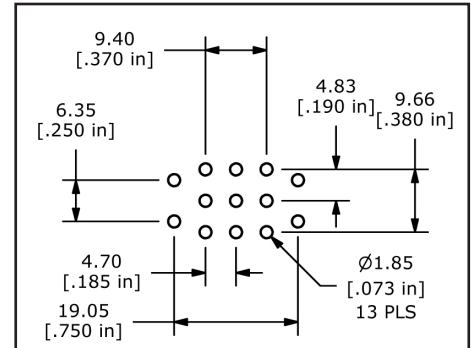
# 300 SERIES ROCKER SWITCH

## PC Mount VS4-VS5 Termination

### VS4-VS5 Termination - 3P

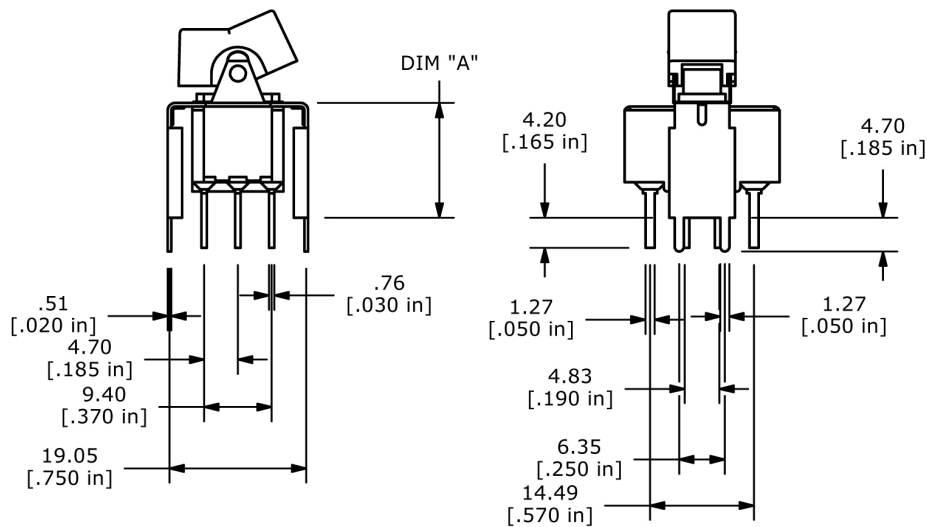


OPTION	DIM "A"
VS4	11.68 [.460]
VS5	16.00 [.630]

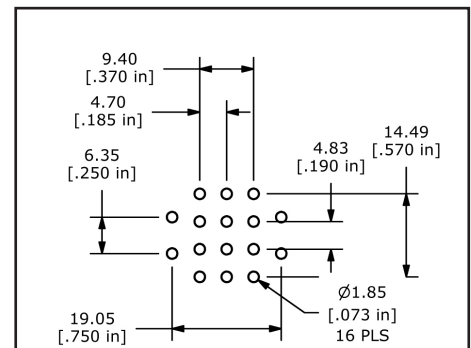


**VS4-VS5 3P SCHEMATIC**

### VS4-VS5 Termination - 4P



OPTION	DIM "A"
VS4	11.68 [.460]
VS5	16.00 [.630]



**VS4-VS5 4P SCHEMATIC**

