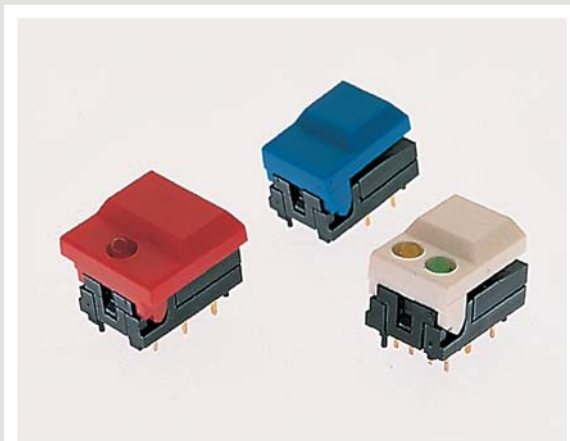




# SERIES 5500 SWITCHES

## PUSHBUTTON SWITCHES



### FEATURES & BENEFITS

- ▶ Single or dual LED options
- ▶ Hinged pushbutton design
- ▶ High operating life

### APPLICATIONS/MARKETS

- ▶ Telecommunications
- ▶ Networking
- ▶ Computers/servers
- ▶ Performance audio
- ▶ Instrumentation
- ▶ Low power on/off designs
- ▶ External hard drives and modems

### SPECIFICATIONS

|                        |                                    |
|------------------------|------------------------------------|
| Contact Ratings:       | 300mA @ 12 VDC                     |
| Life Expectancy:       | 500,000 cycles typical             |
| Contact Resistance:    | 50mΩ max. typical @ 2-4 VDC, 100mA |
| Insulation Resistance: | 50 MΩ min.                         |
| Dielectric Strength:   | >1,000 V rms at sea level          |
| Actuation Force:       | 255 grams max.                     |
| Operating Temperature: | -25°C to +65°C                     |

### MATERIALS

|            |                                    |
|------------|------------------------------------|
| Housing:   | Nylon                              |
| Cap:       | ABS                                |
| Contacts:  | Gold over nickel over copper alloy |
| Terminals: | Gold over nickel over copper alloy |



### HOW TO ORDER

|                            |  |  |  |   |   |
|----------------------------|--|--|--|---|---|
| <b>SERIES</b><br><b>55</b> | <b>CAP STYLE</b><br>01 = Small<br>11 = Large | <b>MECHANICAL CONFIGURATION</b><br><b>M</b><br>M = Momentary | <b>CAP COLOR</b><br>BLK = Black<br>GRY = Grey<br>YEL = Yellow<br>BLU = Blue<br>RED = Red<br>ORG = Orange<br>GRN = Green<br>WHT = White | <b>1st LED COLOR</b><br>(1-LED cap styles only)<br>X = No LED<br>RED = Red LED<br>GRN = Green LED<br>YEL = Yellow LED | <b>2nd LED COLOR</b><br>(2-LED cap styles only)<br>RED = Red LED<br>GRN = Green LED<br>YEL = Yellow LED |
|----------------------------|--|--|--|---|---|



### Example Ordering Number

55-11-M-BLU  
55-01-M-WHT-RED, GRN

Specifications subject to change without notice.

TACT SWITCHES

NAVIGATION SWITCHES

PUSHBUTTON SWITCHES

TOGGLE SWITCHES

ROCKER SWITCHES

SLIDE SWITCHES

SNAP-ACTION SWITCHES

DIP SWITCHES

KEYLOCK SWITCHES

ROTARY SWITCHES

DETECTOR SWITCHES

CAP OPTIONS

# SERIES 5500 SWITCHES

## PUSHBUTTON SWITCHES

TACT SWITCHES

NAVIGATION SWITCHES

PUSHBUTTON SWITCHES

TOGGLE SWITCHES

ROCKER SWITCHES

SLIDE SWITCHES

SNAP-ACTION SWITCHES

DIP SWITCHES

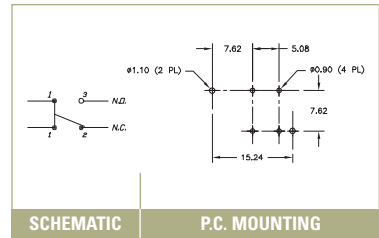
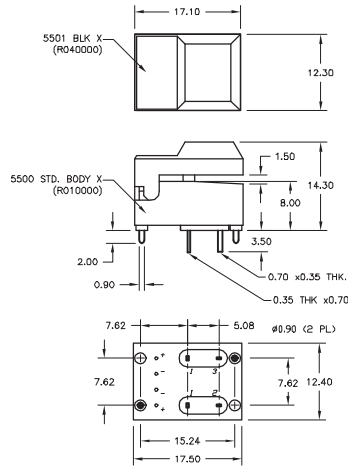
KEYLOCK SWITCHES

ROTARY SWITCHES

DETECTOR SWITCHES

CAP OPTIONS

### 5501

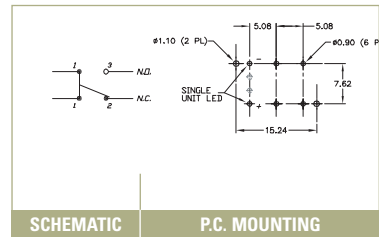
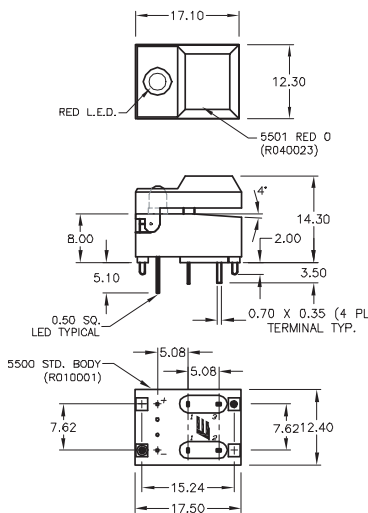


SCHEMATIC

P.C. MOUNTING

### 5501

1 LEDS

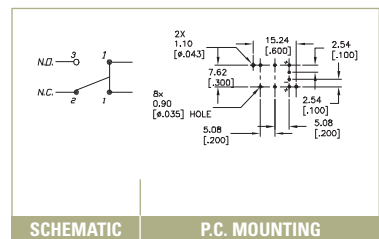
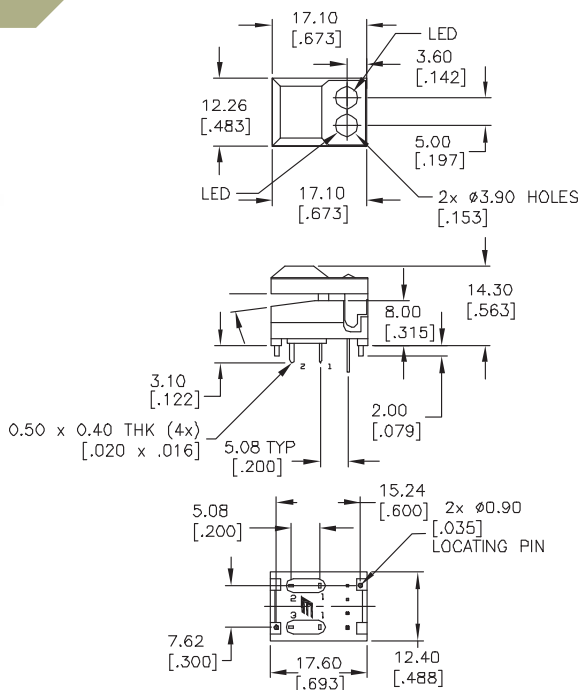


SCHEMATIC

P.C. MOUNTING

### 5501

2 LEDS

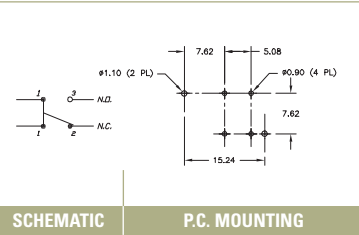
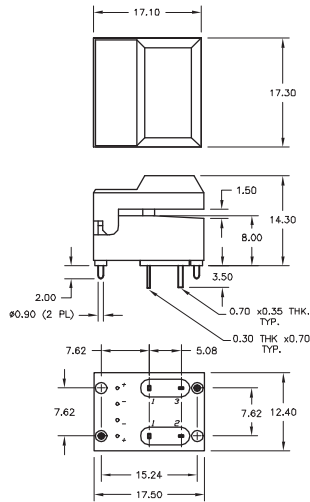


SCHEMATIC

P.C. MOUNTING



### 5511



TACT SWITCHES

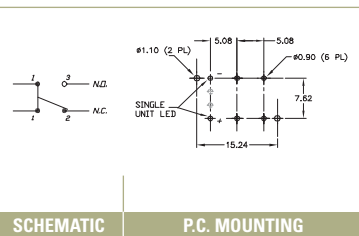
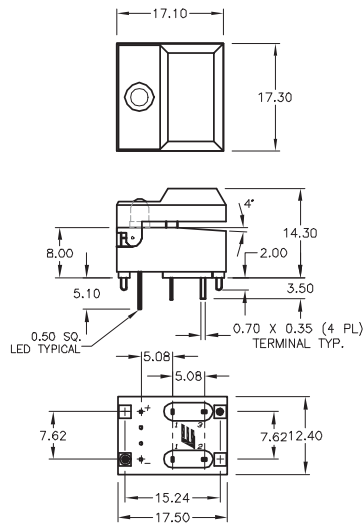
NAVIGATION SWITCHES

PUSHBUTTON SWITCHES

TOGGLE SWITCHES

### 5511

1 LEDS



ROCKER SWITCHES

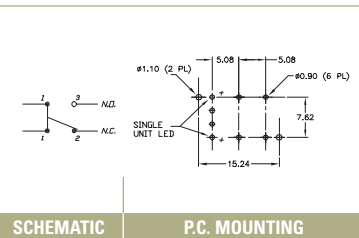
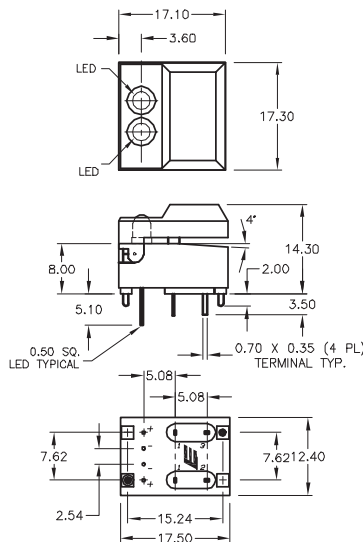
SLIDE SWITCHES

SNAP-ACTION SWITCHES

DIP SWITCHES

### 5511

2 LEDS



KEYLOCK SWITCHES

ROTARY SWITCHES

DETECTOR SWITCHES

CAP OPTIONS