

SERIES 700 SWITCHES

PUSHBUTTON SWITCHES - SNAP-ACTING

TACT SWITCHES

NAVIGATION SWITCHES

PUSHBUTTON SWITCHES

TOGGLE SWITCHES

ROCKER SWITCHES

SLIDE SWITCHES

SNAP-ACTION SWITCHES

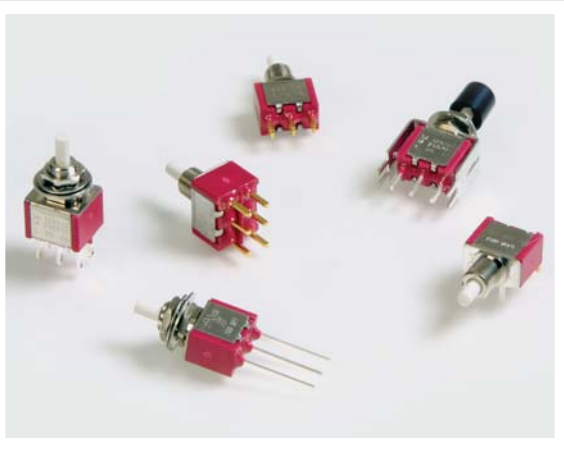
DIP SWITCHES

KEYLOCK SWITCHES

ROTARY SWITCHES

DETECTOR SWITCHES

CAP OPTIONS



SPECIFICATIONS

Contact Ratings:	1A @ 250 VAC 3A @ 120 VAC or 28 VDC
Life Expectancy:	50,000 cycles typical
Contact Resistance:	20mΩ max. typical @ 2-4 VDC 100mA for both silver and gold plated contacts
Insulation Resistance:	1,000 MΩ min.
Dielectric Strength:	1,000 V RMS @ sea level
Actuation Force:	200 ± 50 gf
Operating Temperature:	-30°C to +85°C
Travel:	1.20mm Typ

MATERIALS

Case:	DAP
Plunger:	Glass filled nylon or glass filled polyester
Bushing:	Nickel plated brass
Frame:	Stainless steel
Contacts:	Silver or Gold plated copper alloy

FEATURES & BENEFITS

- ▶ Snap acting contact design
- ▶ Gold & silver contact options
- ▶ Multiple termination options
- ▶ Snap-in panel mount option

APPLICATIONS/MARKETS

- ▶ Telecommunications
- ▶ Networking
- ▶ Computers/servers
- ▶ Performance audio
- ▶ Instrumentation
- ▶ Low power on/off designs
- ▶ External hard drives and modems

HOW TO ORDER

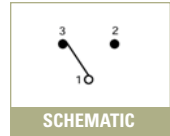
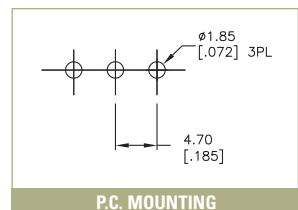
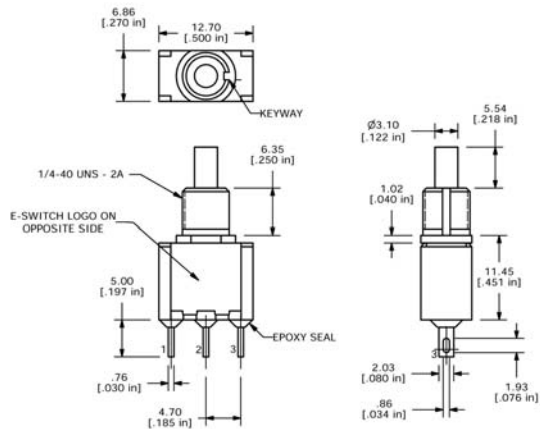
SERIES	MODEL NO.	BUSHING	TERMINATION	CONTACT MATERIAL	SEAL	HARDWARE	CAP	CAP COLOR
700	SP7 DP7	B10 B11 B20 B21	M1 VS2 M2 VS3 M51 VS4 M52 VS5 M53 M6 M7	Q = Silver R = Gold	E = Epoxy Sealed at Base of Terminal	H = Hardware		See Cap Options

Example Ordering Number

700-DP7-B10-M1-Q-E-H-C1-BLK

Specifications subject to change without notice.

SPDT



Model No.	Type
SP-7	ON (ON)
Term. Comm	1-3 1-2

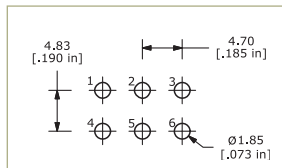
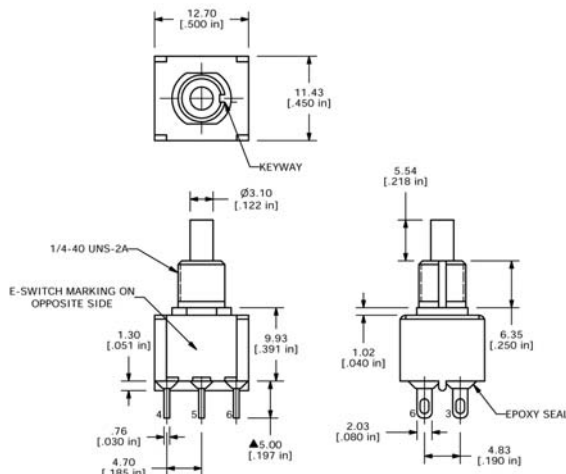
() = Momentary



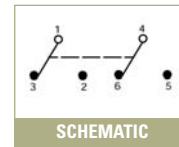
DPDT



Model No.	Type	
DP-7	ON	(ON)
Term. Comm.	1-3, 4-6	1-2, 4-5
	() = Momentary	



P.C. MOUNTING



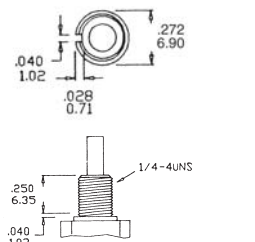
SCHEMATIC

BUSHING OPTIONS FOR P.C. MOUNTING

KEYWAY

B10 THD STD

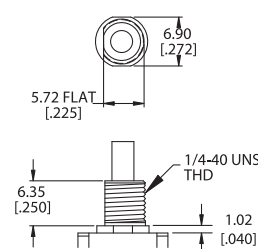
B20 NON-THD



FLAT

B11 THD STD

B21 NON-THD



TERMINATION OPTIONS

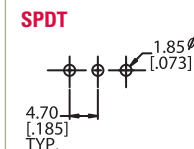
M1

SOLDER LUG



M2

P. C. MOUNT



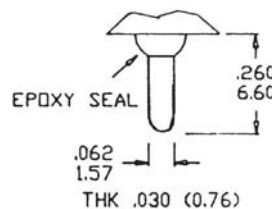
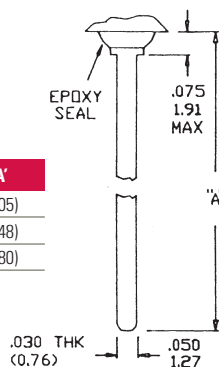
P.C. MOUNTING

M5

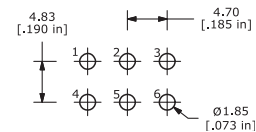
WIRE WRAP



Option Code	Dim. 'A'
M51	.750 (19.05)
M52	.964 (24.48)
M53	.425 (10.80)



DPDT



P.C. MOUNTING

SERIES 700 SWITCHES

PUSHBUTTON SWITCHES - SNAP-ACTING

TACT
SWITCHES

NAVIGATION
SWITCHES

PUSHBUTTON
SWITCHES

TOGGLE
SWITCHES

ROCKER
SWITCHES

SLIDE
SWITCHES

SNAP-ACTION
SWITCHES

DIP
SWITCHES

KEYLOCK
SWITCHES

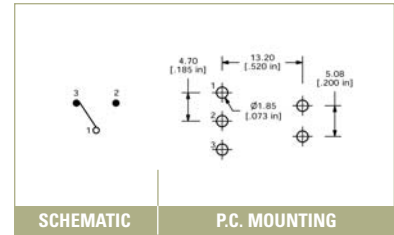
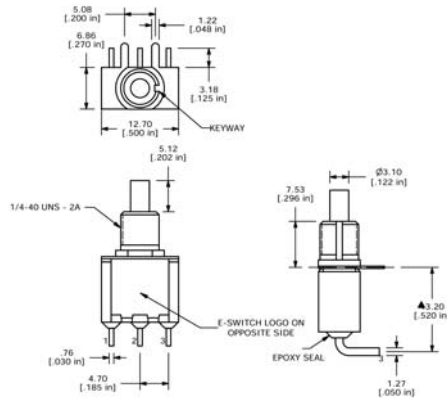
ROTARY
SWITCHES

DETECTOR
SWITCHES

CAP
OPTIONS

M6

SPDT

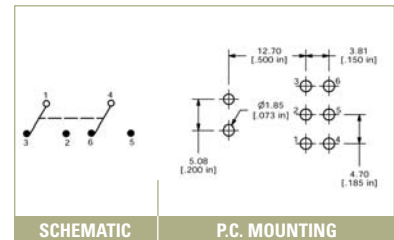
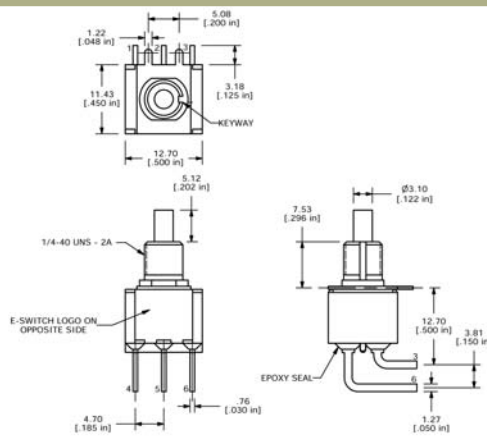


SCHEMATIC

P.C. MOUNTING

M6

DPDT

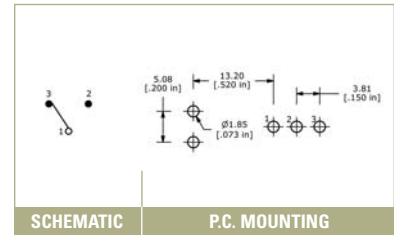
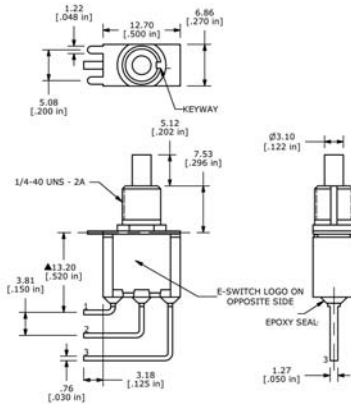


SCHEMATIC

P.C. MOUNTING

M7

SPDT

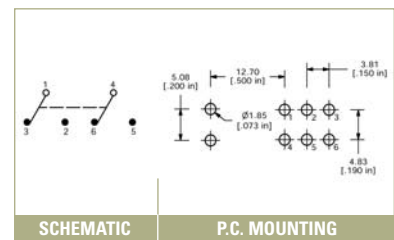
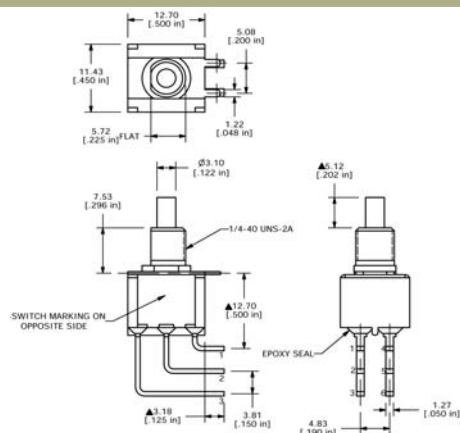


SCHEMATIC

P.C. MOUNTING

M7

DPDT



SCHEMATIC

P.C. MOUNTING

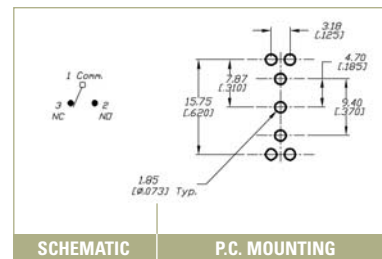
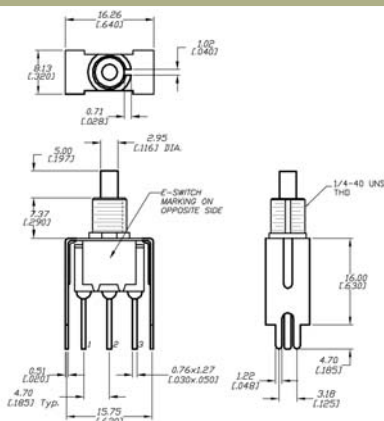


VS2 or VS3

SPDT



Option Code	Dim. 'A'
VS2	.460 (11.68)
VS3	.630 (16.00)

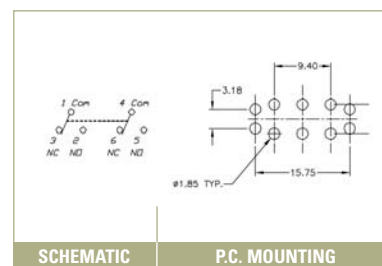
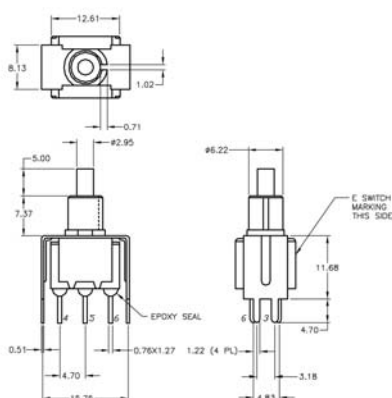


VS2 or VS3

DPDT



Option Code	Dim. 'A'
VS2	.460 (11.68)
VS3	.630 (16.00)

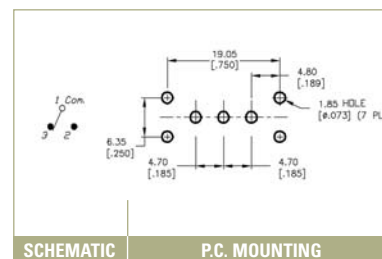
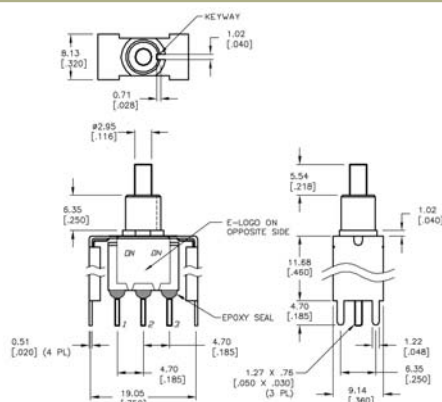


VS4 or VS5

SPDT



Option Code	Dim. 'A'
VS4	.460 (11.68)
VS5	.630 (16.00)



VS4 or VS5

DPDT



Option Code	Dim. 'A'
VS4	.460 (11.68)
VS5	.630 (16.00)

