

# SERIES 800 SWITCHES

## PUSHBUTTON SWITCHES - SUB-MINIATURE

TACT SWITCHES

NAVIGATION SWITCHES

PUSHBUTTON SWITCHES

TOGGLE SWITCHES

ROCKER SWITCHES

SLIDE SWITCHES

SNAP-ACTION SWITCHES

DIP SWITCHES

KEYLOCK SWITCHES

ROTARY SWITCHES

DETECTOR SWITCHES

CAP OPTIONS



### FEATURES & BENEFITS

- ▶ Subminiature design
- ▶ Butt contact design
- ▶ Snap-in panel mount option

### APPLICATIONS/MARKETS

- ▶ Telecommunications
- ▶ Networking
- ▶ Computers/servers
- ▶ Performance audio
- ▶ Instrumentation
- ▶ Low power on/off designs
- ▶ External hard drives and modems

### SPECIFICATIONS

Contact Rating:	1A @ 250 VAC 3A @ 120 VAC or 28 VDC
Life Expectancy:	50,000 cycles typical
Contact Resistance:	10mΩ max. typical @ 2-4 VDC 100mA for both silver and gold plated contacts
Insulation Resistance:	1,000MΩ min.
Dielectric Strength:	1,000 V rms @ sea level
Actuation Force:	200 ± 50 gf
Operating Temperature:	-30°C to +85°C

### MATERIALS

Case:	DAP
Plunger:	Glass filled nylon or glass filled polyester
Bushing:	Nickel plated brass
Housing:	Stainless steel
Contacts:	Silver or Gold plated copper alloy

### HOW TO ORDER

SERIES	MODEL NO.	BUSHING	TERMINATION	CONTACT MATERIAL	SEAL	HARDWARE	CAP	CAP COLOR
800	SP9 SP8	B5 B6 B7 B8* B9* B10	M1 M2 M6 M61 M7 VS2	Q = Silver R = Gold	E = Epoxy Sealed at Base of Terminal	H = Hardware	See Cap Options	

Example Ordering Number  
800-SP9-B5-M1-Q-E-H

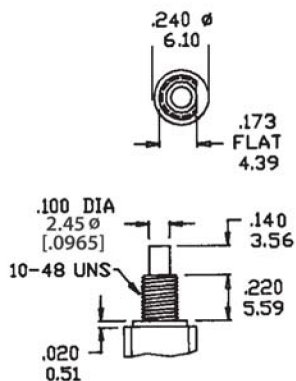
\*Note: C2 cap not available on B8 or B9 bushing.

Specifications subject to change without notice.

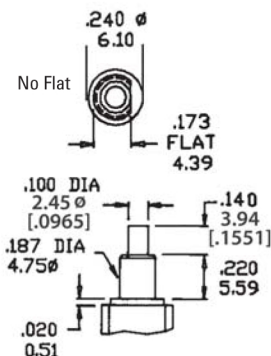
### BUSHING OPTIONS

**B5 THD**

**B6 NON-THD**

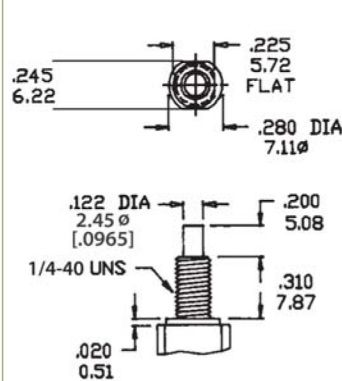


**B7 NON-THD**

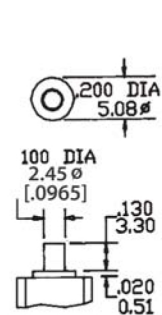


**B8 NON-THD**

**B9 THD**



**B10 NON-THD**

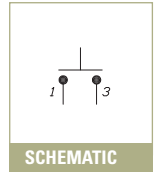
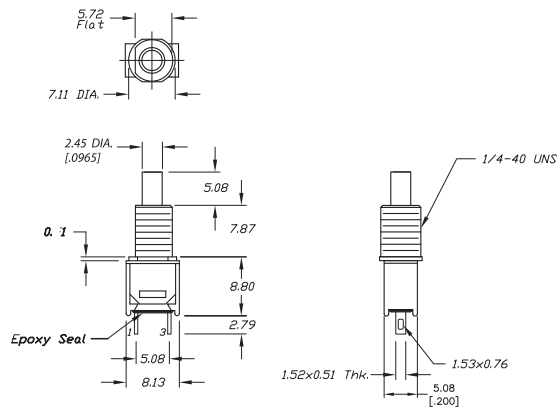


## M1

SPST



Model No.	Type	
SP-9	OFF	(ON)
( ) = Momentary		

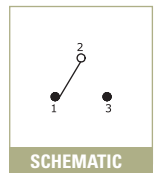
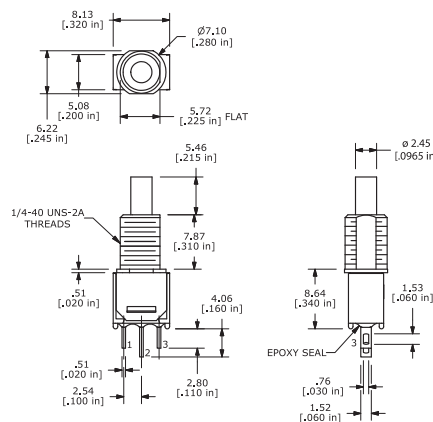


## M1

SPDT

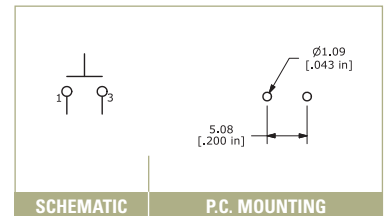
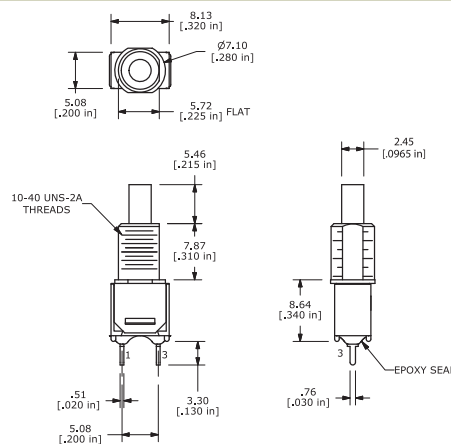


Model No.	Type	
SP-8	ON	(ON)
Term. Comm	2-1	2-3
( ) = Momentary		



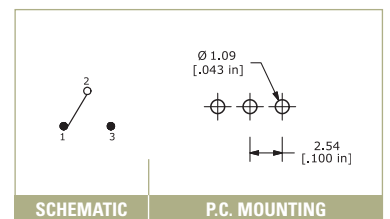
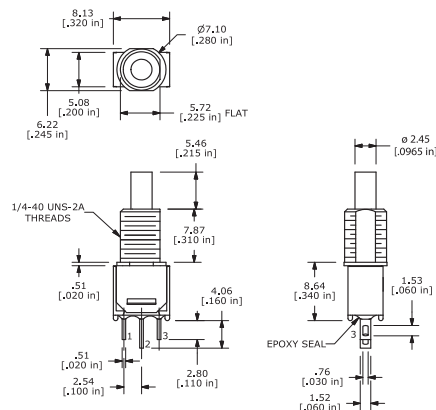
## M2

SPST



## M2

SPDT



# SERIES 800 SWITCHES

## PUSHBUTTON SWITCHES - SUB-MINIATURE

TACT  
SWITCHES

NAVIGATION  
SWITCHES

PUSHBUTTON  
SWITCHES

TOGGLE  
SWITCHES

ROCKER  
SWITCHES

SLIDE  
SWITCHES

SNAP-ACTION  
SWITCHES

DIP  
SWITCHES

KEYLOCK  
SWITCHES

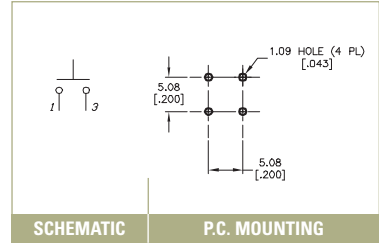
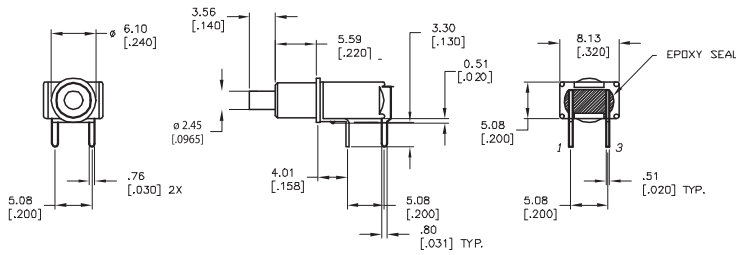
ROTARY  
SWITCHES

DETECTOR  
SWITCHES

CAP  
OPTIONS

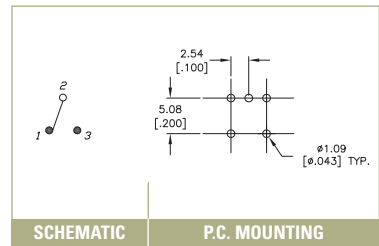
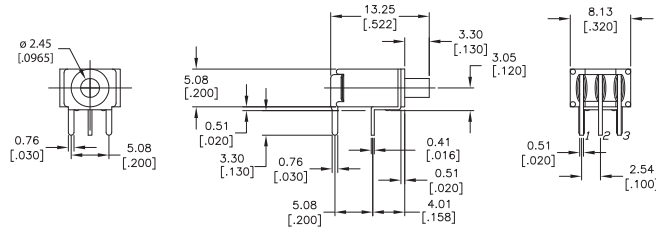
### M6

#### SPST

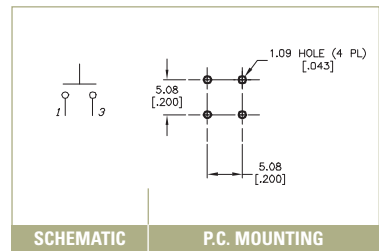
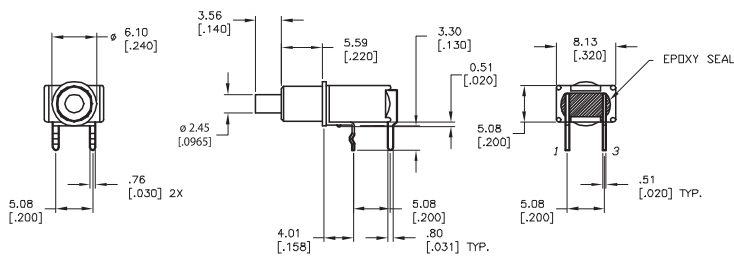


### M6

#### SPDT



### M61





# SERIES 800 SWITCHES

## PUSHBUTTON SWITCHES - SUB-MINIATURE PANEL MOUNT



### HOW TO ORDER

**SERIES**  
**800**

**MODEL NO.**  
SP9  
DP8

**TERMINATION**  
M1

**CONTACT MATERIAL**  
Q = Silver  
R = Gold

**SEAL**  
E  
E = Epoxy  
Sealed at  
Base of  
Terminal

**CAP**  
OP1

**CAP COLOR**  
BLK = Black  
RED = Red  
WHT = White

**FRAME COLOR**  
BLK = Black  
RED = Red  
WHT = White



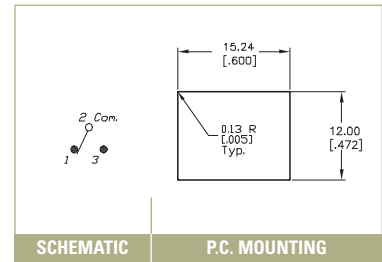
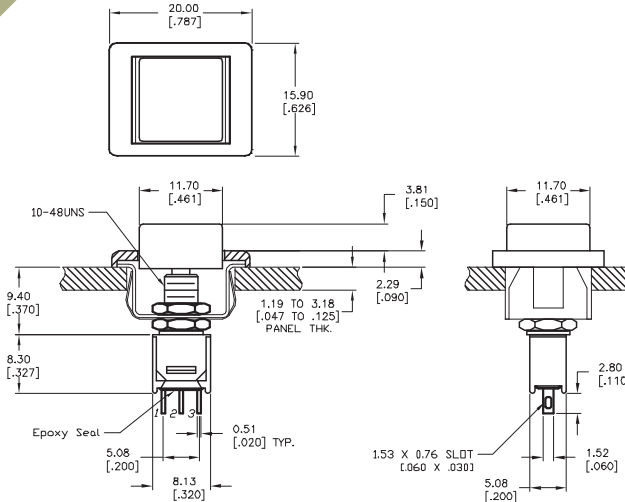
### Example Ordering Number

800-SP9-M1-Q-E-OP1-BLK-BLK

Specifications subject to change without notice.

### OP1

#### PANEL MOUNT



SCHEMATIC

P.C. MOUNTING

### CONTACT MATERIAL OPTIONS

**Q**

Fixed Terminal:	Silver plated copper alloy
Moving Contact:	Silver plated copper alloy
Rating:	3 AMPS @ 120 VAC; 1 AMP @ 250VAC

**R**

Fixed Terminal:	Copper alloy with gold plate over nickel plate
Moving Contact:	Copper alloy with gold plate over nickel plate
Rating:	0.4 VA max. @ 20 VAC or DC max.