

# SERIES KC SWITCHES

## ROTARY SWITCHES

TACT SWITCHES

NAVIGATION SWITCHES

PUSHBUTTON SWITCHES

TOGGLE SWITCHES

ROCKER SWITCHES

SLIDE SWITCHES

SNAP-ACTION SWITCHES

DIP SWITCHES

KEYLOCK SWITCHES

ROTARY SWITCHES

DETECTOR SWITCHES

CAP OPTIONS



### FEATURES & BENEFITS

- ▶ 1 to 4 poles
- ▶ 1 to 12 positions
- ▶ No stop option

### APPLICATIONS/MARKETS

- ▶ Industrial controls
- ▶ Test & instrumentation
- ▶ Appliance
- ▶ HVAC

### SPECIFICATIONS

Ratings:	350 mA @ 125 VAC
	150 mA @ 250 VAC
Life Expectancy:	10,000 cycles typical
Contact Resistance:	25mΩ initial @ 2-4 VDC, 100mA
Dielectric Strength:	1,500 max V rms at sea level
Insulation Resistance:	100MΩ min.
Operating Force:	8.6 N/cm

### MATERIALS

Housing, Base, Shaft:	Glass filled nylon
Contact:	Silver plated copper alloy Gold flash over silver plate
Hardware:	Nut-Zinc, nickel plated Lockwasher-Steel, zinc plated Stop ring-Brass, nickel plated



### HOW TO ORDER

SERIES	MODEL NO.	ACTUATOR	ACTUATOR LENGTH	BUSHING	TIMING	TERMINATION	CONTACT MATERIAL
KC	See Model Options Table	A=Flat B=Round D=Slotted	See Actuator Option Chart	01 02*	N=Non-Short S=Shorting	P=PC Pin L=Solder Lug	S F



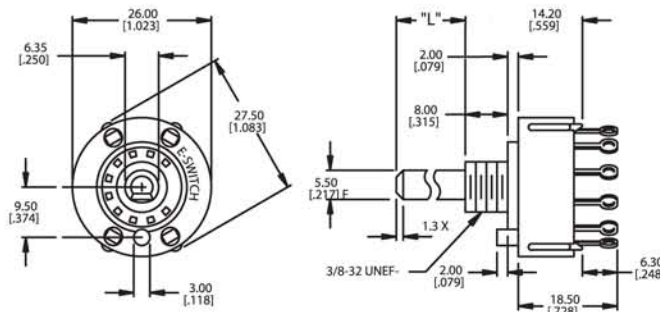
Example Ordering Number  
KC-13-B-7.0-02-N-L-S

\* Not available with #10 model.

Specifications subject to change without notice.

## KC

### GENERAL INFORMATION





## MODEL NUMBER OPTIONS

(SP Models)		
Model	Sw. Func.	Terms
10	12-pos.-No stops	A, 1-12
11	ST	A, 2*
12	DT	A, 1,2*
13	3 pos.	A, 1-3*
14	4 pos.	A, 1-4*
15	5 pos.	A, 1-5*
16	6 pos.	A, 1-6*
17	7 pos.	A, 1-7
18	8 pos.	A, 1-8
19	9 pos.	A, 1-9
50	10 pos.	A, 1-10
51	11 pos.	A, 1-11
52	12 pos.	A, 1-12
53	2 pos. -60° index	A, 1,3*
54	2 pos. -90° index	A, 1,4*
55	3 pos. -60° index	A, 1,3,5*
56	3 pos. -90° index	A, 1,4,7
57	4 pos. -60° index	A,1,3,5,7
58	4 pos. -90° index	A,1,4,7,10**
59	5 pos. -60° index	A,1,3,5,7,9
60	6 pos. -60° index	A,1,3,5,7,9,11

(DP Models)		
Model	Sw. Func.	Terms
20	6-pos.-No stops	A,C,1-12
21	ST	A, C,2,8
22	DT	A,C,1,2,7,8
23	3 pos.	A,C 1-3, 7-9
24	4 pos.	A,C,1-4,7-10
25	5 pos.	A,C,1-5, 7-11
26	6 pos.	A,C,1-12
70	2 pos. 60° index	A,C,1,3,7,9
71	2 pos. 90° index	A,C,1,4,7,10
72	2 pos. 60° index	A,C,1,3,5,7,9,11

(3P Models)		
Model	Sw. Func.	Terms
30	4-pos.-No stops	A,B,C,1-12
31	ST	A,B,C,2,6,10
32	DT	A,B,C,1,2,5,6,9,10
33	3 pos.	A,B,C,1-3,5-7,9-11
34	4 pos.	A,B,C,1-12
80	2 pos. 60° index	A,B,C,1,3,5,7,9,11
81	2 pos. 90° index	A,B,C,1,4,5,8,9,12

(4P Models)		
Model	Sw. Func.	Terms
40	3-pos.-No stops	all terms
41	ST	A,B,C,D,2,5,8,11
42	DT	A,B,C,D,1,2,4,5,7,8,10,11
43	3 pos.	all terms
91	2 pos. 60° index	A,B,C,D,1,3,4,6,7,9,10,12

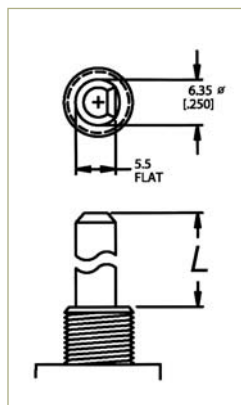
\* Note: Switches with P terminations (PC pins) have additional terminal no. 9 as switch support only. This terminal is not connected electrically inside switch.

\*\* Note: Standard with stops

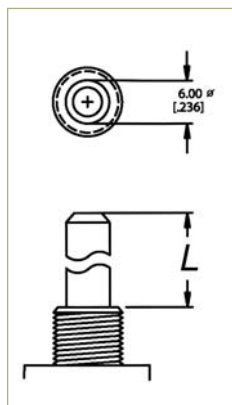
All models 30° indexing unless otherwise noted.

## ACTUATOR OPTIONS

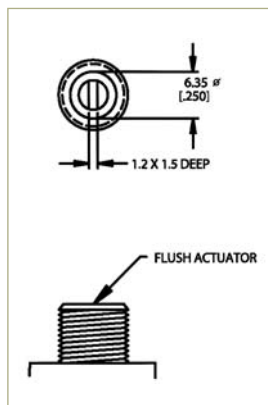
### A FLAT



### B ROUND



### D SLOTTED

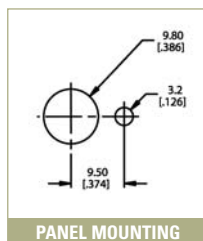
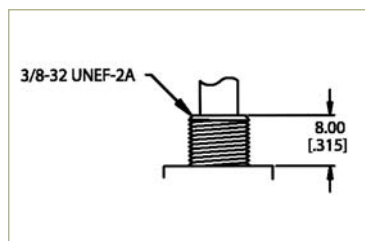


Actuator	Available Actuator Lengths (mm)					
A	30.0	38.0	9.5	7.0	10.0	13.0
B	30.0	10.0	7.0			
D	0.0					

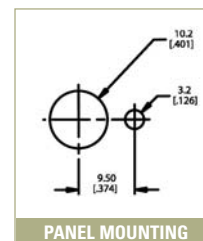
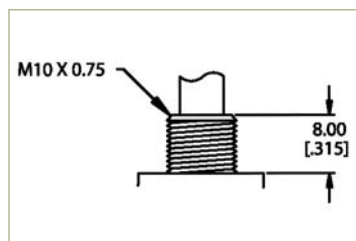
\*All actuators shown in Pos. 1, fully CCW.

## BUSHING OPTIONS

### 01 STANDARD



### 02 METRIC



# SERIES KC SWITCHES

## ROTARY SWITCHES

TACT SWITCHES

NAVIGATION SWITCHES

PUSHBUTTON SWITCHES

TOGGLE SWITCHES

ROCKER SWITCHES

SLIDE SWITCHES

SNAP-ACTION SWITCHES

DIP SWITCHES

KEYLOCK SWITCHES

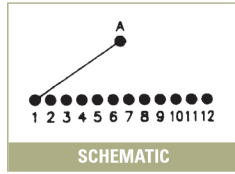
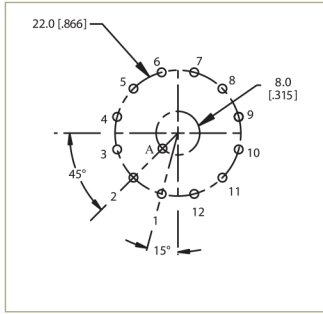
ROTARY SWITCHES

DETECTOR SWITCHES

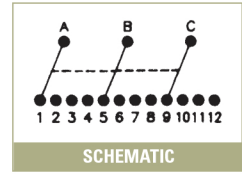
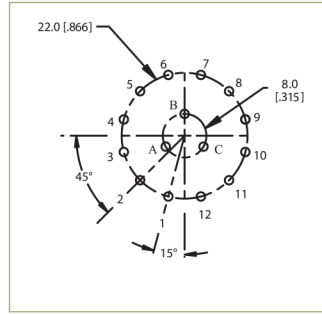
CAP OPTIONS

### SCHEMATICS AND PC MOUNTING

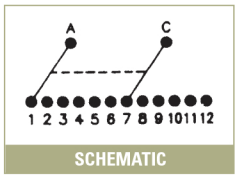
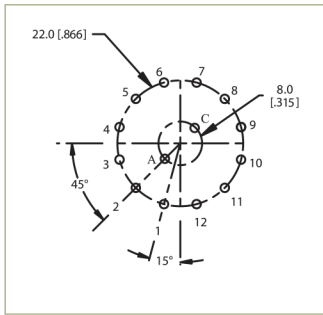
#### SP 1 POLE, 12 POSITIONS



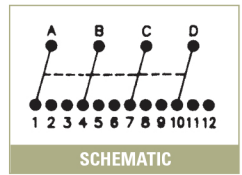
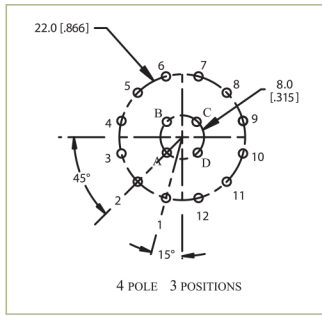
#### 3P 3 POLE, 4 POSITIONS



#### DP 2 POLE, 6 POSITION



#### 4P 4 POLE, 3 POSITIONS



### TIMING OPTIONS

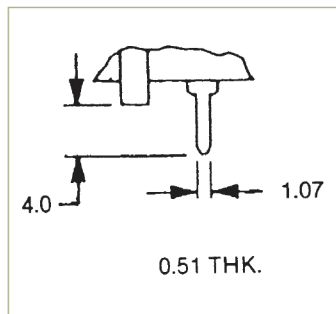
N = (STD.) Non-shorting – break before make

S = Shorting – make before break

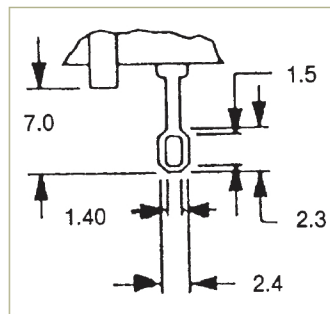
Note: (S) shorting contacts available only with 30° indexing

### TERMINATION OPTIONS

#### P PC PIN



#### L SOLDER LUG



### CONTACT MATERIAL OPTIONS

S = Standard Silver over copper alloy

F = Gold Flash over silver plate over copper alloy