

SERIES KC SWITCHES

ROTARY SWITCHES

TACT SWITCHES

NAVIGATION SWITCHES

PUSHBUTTON SWITCHES

TOGGLE SWITCHES

ROCKER SWITCHES

SLIDE SWITCHES

SNAP-ACTION SWITCHES

DIP SWITCHES

KEYLOCK SWITCHES

ROTARY SWITCHES

DETECTOR SWITCHES

CAP OPTIONS



FEATURES & BENEFITS

- ▶ 1 to 4 poles
- ▶ 1 to 12 positions
- ▶ No stop option

APPLICATIONS/MARKETS

- ▶ Industrial controls
- ▶ Test & instrumentation
- ▶ Appliance
- ▶ HVAC

SPECIFICATIONS

| | |
|------------------------|-------------------------------|
| Ratings: | 350 mA @ 125 VAC |
| | 150 mA @ 250 VAC |
| Life Expectancy: | 10,000 cycles typical |
| Contact Resistance: | 25mΩ initial @ 2-4 VDC, 100mA |
| Dielectric Strength: | 1,500 max V rms at sea level |
| Insulation Resistance: | 100MΩ min. |
| Operating Force: | 8.6 N/cm |

MATERIALS

| | |
|-----------------------|--|
| Housing, Base, Shaft: | Glass filled nylon |
| Contact: | Silver plated copper alloy Gold flash over silver plate |
| Hardware: | Nut-Zinc, nickel plated Lockwasher-Steel, zinc plated Stop ring-Brass, nickel plated |

HOW TO ORDER

| SERIES | MODEL NO. | ACTUATOR | ACTUATOR LENGTH | BUSHING | TIMING | TERMINATION | CONTACT MATERIAL |
|--------|-------------------------|--------------------------------|---------------------------|-----------|---------------------------|--------------------------|------------------|
| KC | See Model Options Table | A=Flat B=Round D=Slotted | See Actuator Option Chart | 01 02* | N=Non-Short S=Shorting | P=PC Pin L=Solder Lug | S F |

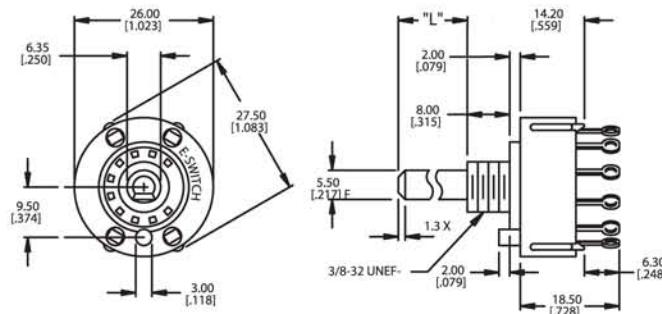
▶ ▶ ▶ Example Ordering Number
KC-13-B-7.0-02-N-L-S

* Not available with #10 model.

Specifications subject to change without notice.

KC

GENERAL INFORMATION





MODEL NUMBER OPTIONS

| (SP Models) | | |
|-------------|-------------------|----------------|
| Model | Sw. Func. | Terms |
| 10 | 12-pos.-No stops | A, 1-12 |
| 11 | ST | A, 2* |
| 12 | DT | A, 1,2* |
| 13 | 3 pos. | A, 1-3* |
| 14 | 4 pos. | A, 1-4* |
| 15 | 5 pos. | A, 1-5* |
| 16 | 6 pos. | A, 1-6* |
| 17 | 7 pos. | A, 1-7 |
| 18 | 8 pos. | A, 1-8 |
| 19 | 9 pos. | A, 1-9 |
| 50 | 10 pos. | A, 1-10 |
| 51 | 11 pos. | A, 1-11 |
| 52 | 12 pos. | A, 1-12 |
| 53 | 2 pos. -60° index | A, 1,3* |
| 54 | 2 pos. -90° index | A, 1,4* |
| 55 | 3 pos. -60° index | A, 1,3,5* |
| 56 | 3 pos. -90° index | A, 1,4,7 |
| 57 | 4 pos. -60° index | A,1,3,5,7 |
| 58 | 4 pos. -90° index | A,1,4,7,10** |
| 59 | 5 pos. -60° index | A,1,3,5,7,9 |
| 60 | 6 pos. -60° index | A,1,3,5,7,9,11 |

| (DP Models) | | |
|-------------|------------------|------------------|
| Model | Sw. Func. | Terms |
| 20 | 6-pos.-No stops | A,C,1-12 |
| 21 | ST | A, C,2,8 |
| 22 | DT | A,C,1,2,7,8 |
| 23 | 3 pos. | A,C 1-3, 7-9 |
| 24 | 4 pos. | A,C,1-4,7-10 |
| 25 | 5 pos. | A,C,1-5, 7-11 |
| 26 | 6 pos. | A,C,1-12 |
| 70 | 2 pos. 60° index | A,C,1,3,7,9 |
| 71 | 2 pos. 90° index | A,C,1,4,7,10 |
| 72 | 2 pos. 60° index | A,C,1,3,5,7,9,11 |

* Note: Switches with P terminations (PC pins) have additional terminal no. 9 as switch support only. This terminal is not connected electrically inside switch.

** Note: Standard with stops

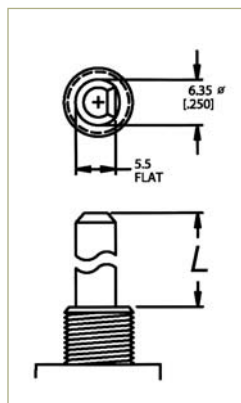
All models 30° indexing unless otherwise noted.

| (3P Models) | | |
|-------------|-------------------|--------------------|
| Model | Sw. Func. | Terms |
| 30 | 4-pos.-No stops | A,B,C,1-12 |
| 31 | ST | A,B,C,2,6,10 |
| 32 | DT | A,B,C,1,2,5,6,9,10 |
| 33 | 3 pos. | A,B,C,1-3,5-7,9-11 |
| 34 | 4 pos. | A,B,C,1-12 |
| 80 | 2 pos. 60° index | A,B,C,1,3,5,7,9,11 |
| 81 | 2 pos. -90° index | A,B,C,1,4,5,8,9,12 |

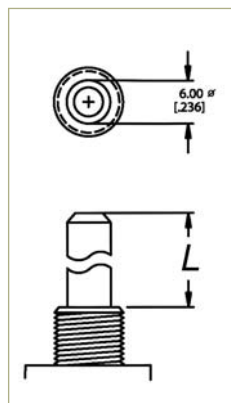
| (4P Models) | | |
|-------------|------------------|---------------------------|
| Model | Sw. Func. | Terms |
| 40 | 3-pos.-No stops | all terms |
| 41 | ST | A,B,C,D,2,5,8,11 |
| 42 | DT | A,B,C,D,1,2,4,5,7,8,10,11 |
| 43 | 3 pos. | all terms |
| 91 | 2 pos. 60° index | A,B,C,D,1,3,4,6,7,9,10,12 |

ACTUATOR OPTIONS

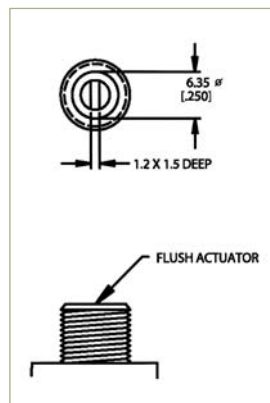
A FLAT



B ROUND



D SLOTTED

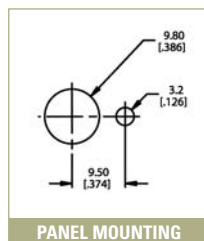
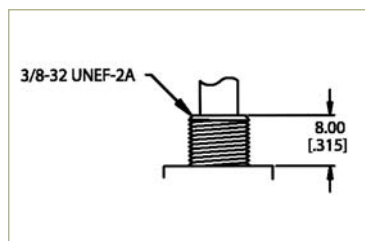


| Actuator | Available Actuator Lengths (mm) | | | | | |
|----------|---------------------------------|------|-----|-----|------|------|
| A | 30.0 | 38.0 | 9.5 | 7.0 | 10.0 | 13.0 |
| B | 30.0 | 10.0 | 7.0 | | | |
| D | 0.0 | | | | | |

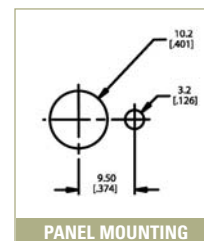
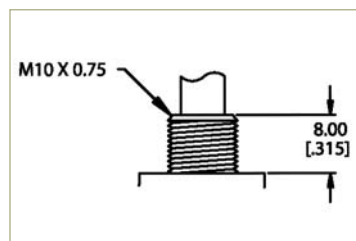
*All actuators shown in Pos. 1, fully CCW.

BUSHING OPTIONS

01 STANDARD



02 METRIC



SERIES KC SWITCHES

ROTARY SWITCHES

TACT SWITCHES

NAVIGATION SWITCHES

PUSHBUTTON SWITCHES

TOGGLE SWITCHES

ROCKER SWITCHES

SLIDE SWITCHES

SNAP-ACTION SWITCHES

DIP SWITCHES

KEYLOCK SWITCHES

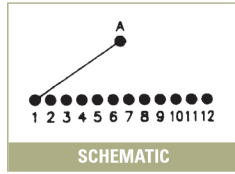
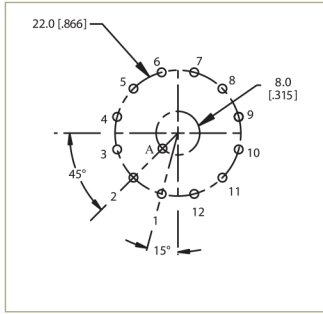
ROTARY SWITCHES

DETECTOR SWITCHES

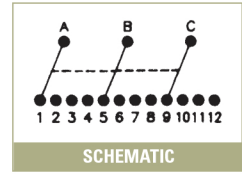
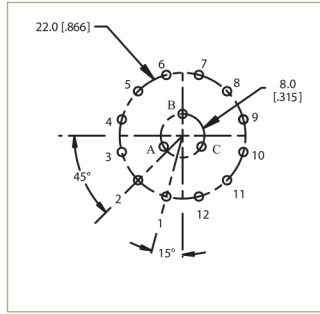
CAP OPTIONS

SCHEMATICS AND PC MOUNTING

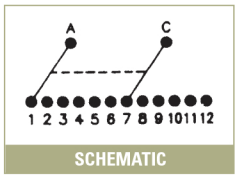
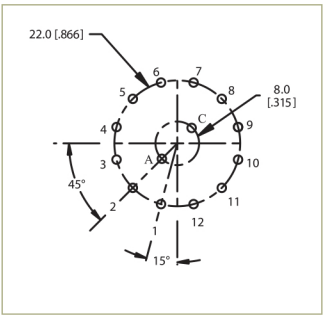
SP 1 POLE, 12 POSITIONS



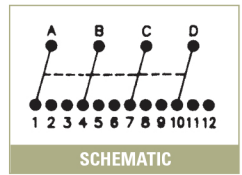
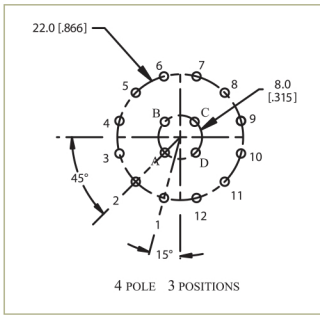
3P 3 POLE, 4 POSITIONS



DP 2 POLE, 6 POSITION



4P 4 POLE, 3 POSITIONS



TIMING OPTIONS

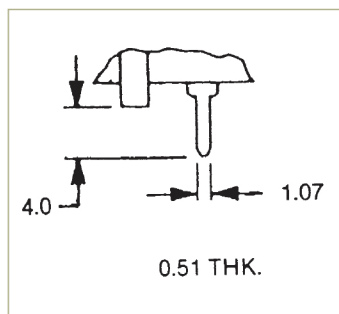
N = (STD.) Non-shorting – break before make

S = Shorting – make before break

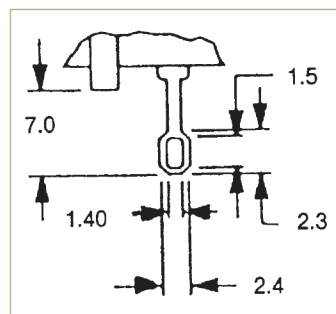
Note: (S) shorting contacts available only with 30° indexing

TERMINATION OPTIONS

P PC PIN



L SOLDER LUG



CONTACT MATERIAL OPTIONS

S = Standard Silver over copper alloy

F = Gold Flash over silver plate over copper alloy