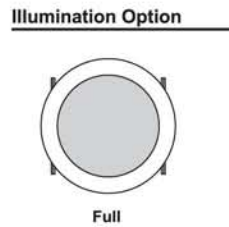
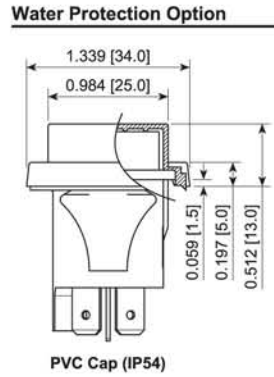
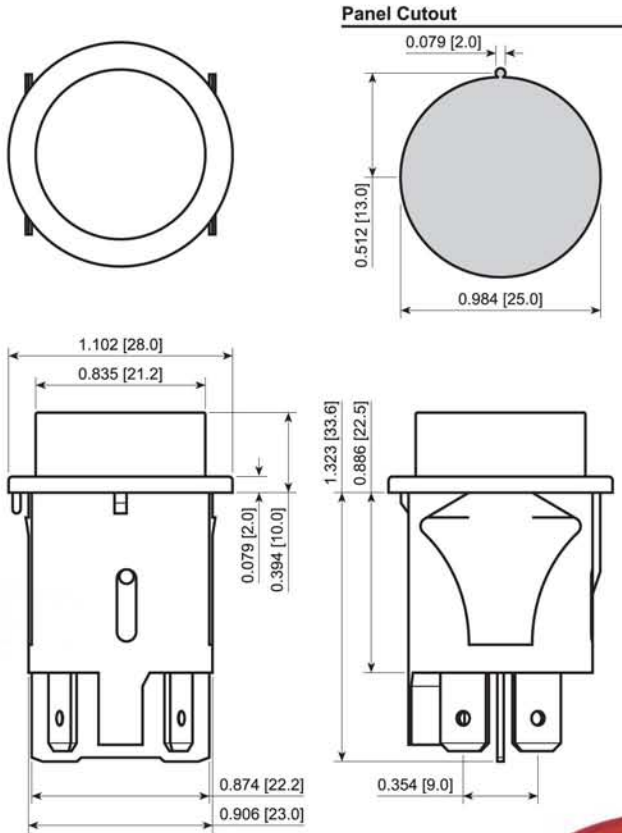


PR1 Series



FEATURES

- High Rating with UL and VDE Approvals
- Maintained and Momentary Option
- PVC Cap for Water and Dust Protection

SPECIFICATIONS:

RATING: RATING OPTION C:
 16A 125VAC [UR, cUR]
 3/4HP 250VAC [UR, cUR]
 16(6)A 250V~ 1E4 T125 [VDE]
 10(4)A 250V~ 5E4 T125 [VDE]

TEMPERATURE: -20°C to 105°C [UR, cUR]
 -20°C to 125°C [VDE]

ELECTRICAL LIFE: 10,000 Cycles

CONTACT RESISTANCE: 35mΩ Max.

INSULATION RESISTANCE: 100MΩ Min. at 500VDC

DIELECTRIC STRENGTH: 1,500VAC for 1 Minute

INGRESS PROTECTION: IP54 with PVC Cap

MATERIALS:

Body: Polyamide 6/6, UL94 V-2
Actuator: Polyamide 6/6, UL94 V-2
 Polycarbonate, UL94 V-2
CONTACTS: Silver Alloy
TERMINALS: Silver Plated Brass

PUSHBUTTON



PR144C1200



PR144EC1100



PR142C1000-116



PR144EC1000-116
ACC-F03-1

Series	Terminal	Function	Rating	Body Color	Actuator Color	Marking Color	Marking Type	Lens Style	Lens Color	Lamp Voltage
PR1	4 - 6.3mm Tabs	1 Pole: 1 - Off-On 4 - Off-(On) 2 Pole: 2 - Off-On E - Off-(On)	C - 16A 125VAC	1 - Black 2 - White 3 - Almond 4 - Grey 9 - Red	0 - Full Illum. 1 - Black 2 - White 3 - Almond 4 - Grey 5 - Orange 7 - Blue 8 - Green 9 - Red	0 - None 1 - Black 2 - White 8 - Red	0 - None 1 - Power Symbol Vert. 3 - Reset Symbol Vert. 5 - POWER Vert. 7 - RESET Vert.	1 - Full	0 - Clear 1 - Red 2 - Amber 3 - Green 4 - Blue	3 - 6V 4 - 12V 5 - 24V 6 - 125V 7 - 250V

Accessories Series	Type	Options
ACC	F03 PVC Cap and Frame:	Colors for Frame: 1 - Black 2 - White

Custom Colors and Markings Available Upon Request For Illuminated Switches Only

EXAMPLE PART NUMBERS:

- PR141C1100 1P Off-On
Black Body/Actuator, No Marking
- PR141C1900 1P Off-On
Black Body, Red Actuator, No Marking
- PR144C1900 1P Off-(On)
Black Body, Red Actuator, No Marking



E-SWITCH®

www.e-switch.com

800.867.2717

SPECIFICATIONS SUBJECT TO CHANGE WITHOUT NOTICE