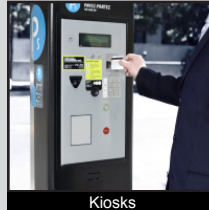


PV1 SERIES ANTI-VANDAL SWITCH

ANTI-VANDAL SWITCHES
DETECTOR SWITCHES
DIP SWITCHES
KEYLOCK SWITCHES
NAVIGATION SWITCHES
PUSHBUTTON SWITCHES
ROCKER SWITCHES
ROTARY SWITCHES
SLIDE SWITCHES
SNAP ACTION SWITCHES
TACTILE SWITCHES
TOGGLE SWITCHES
CAP OPTIONS



APPLICATIONS / MARKETS



RoHS

SPECIFICATIONS

Electrical Rating: 2A, 36VDC
Mechanical Life: 1,000,000 Cycles
Electrical Life: 200,000 Cycles
Contact Resistance: 50mΩ Max.
Insulation Resistance: 1000 MΩ Min.
Dielectric Strength: 2,000VAC
Operating/Storage Temperature: -20°C to 55°C
Travel: 2.50mm
Moisture Protection: IP65
Contact Arrangement: SPST Off-(On)
Actuation Force: 4 N
Panel Thickness: 1-8mm
Mounting Nut Torque: 0.8Nm

FEATURES & BENEFITS

- 19mm panel cutout
- Solder or screw termination options
- Flat, high or domed actuator options
- IP65 rated

PART NUMBER CONFIGURATOR

Series	Actuator Options	Terminal Options	Function Options	Rating Options	Body Finish Options	Actuator Finish Options	Contact Material Options	Marking Options
<input type="text" value="PV1"/>	<input type="text" value="F"/> F - Flat H - High S - Domed	<input type="text" value="2"/> 2 - Solder 6 - Screw	<input type="text" value="4"/> 4 - Off - (On)*	<input type="text" value="0"/> 0 - 2A, 36VDC	<input type="text" value="G"/> G - Gold N - Nickel S - Polished Stainless B - Brushed Stainless 1 - Black Anodized	<input type="text" value="G"/> G - Gold N - Nickel S - Polished Stainless B - Brushed Stainless 1 - Black Anodized	<input type="text" value="NONE"/> NONE - Silver G - Gold	<input type="text" value="NONE"/> NONE - Non-Illuminated M01 - Power Symbol

NOTES:
*(ON) Denotes function is momentary

Specifications subject to change without notice



E-SWITCH®

www.e-switch.com

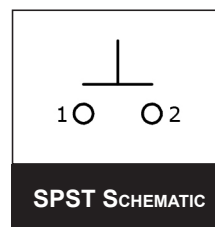
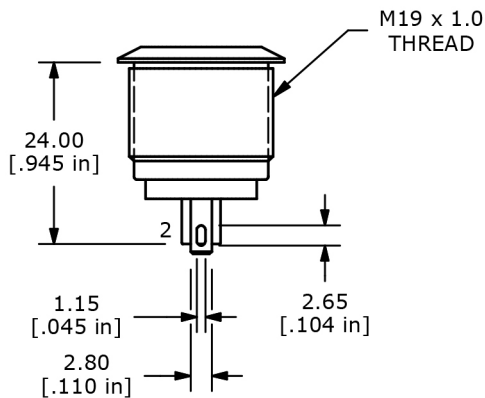
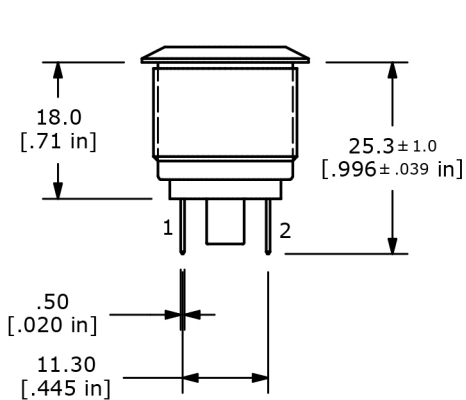
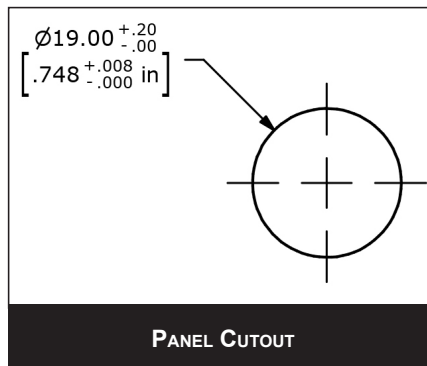
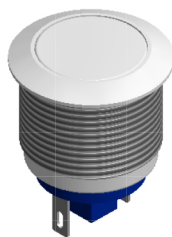
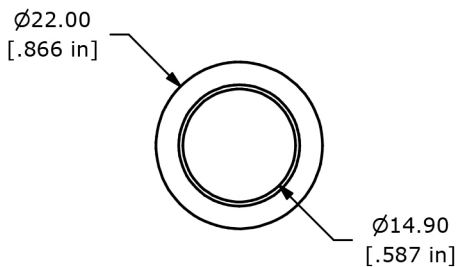
800.867.2717

2

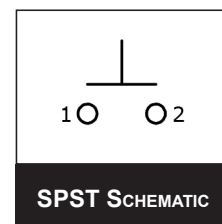
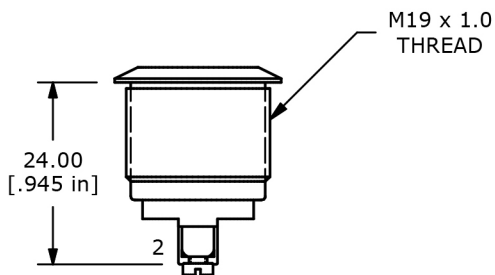
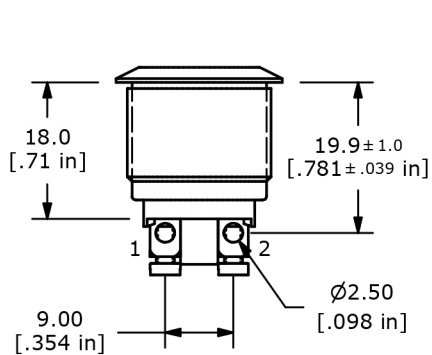
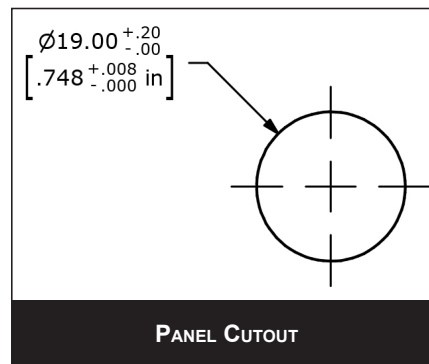
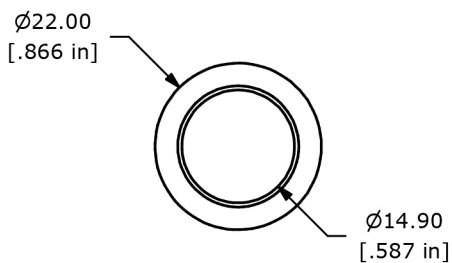
PV1 SERIES ANTI-VANDAL SWITCH

ANTI-VANDAL SWITCHES
 DETECTOR SWITCHES
 DIP SWITCHES
 KEYLOCK SWITCHES
 NAVIGATION SWITCHES
 PUSHBUTTON SWITCHES
 ROTARY SWITCHES
 SLIDE SWITCHES
 SNAP ACTION SWITCHES
 TACTILE SWITCHES
 TOGGLE SWITCHES
 CAP OPTIONS

SOLDER TERMINATION

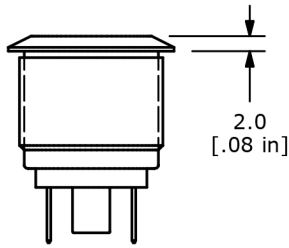
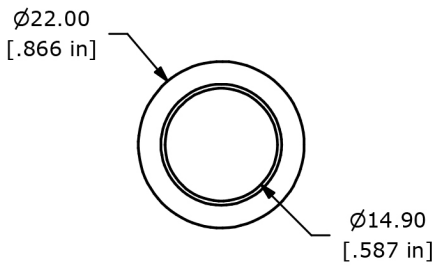


SCREW TERMINATION

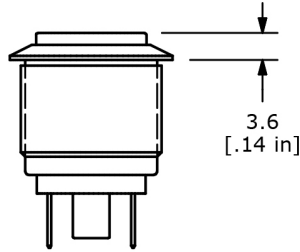
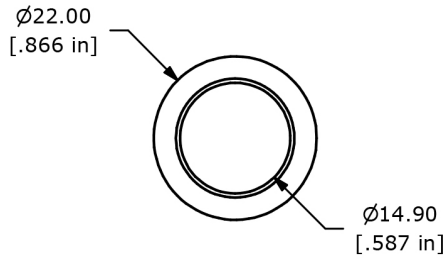


PV1 SERIES ANTI-VANDAL SWITCH

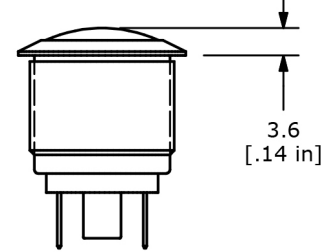
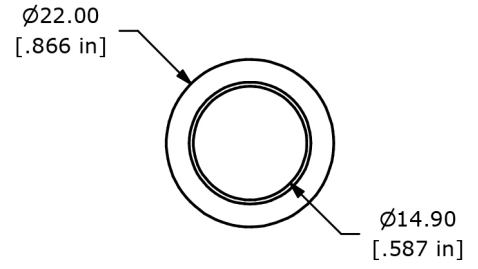
ACTUATOR OPTIONS



FLAT ACTUATOR

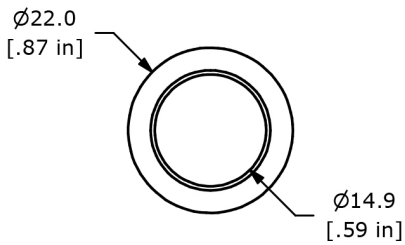


HIGH ACTUATOR

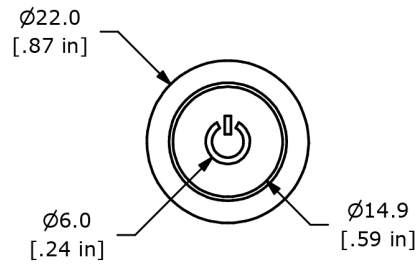


DOMED ACTUATOR

GRAPHIC OPTIONS



NONE



M01 POWER SYMBOL

