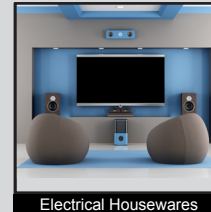


# RB2 SERIES ROCKER SWITCH

ANTI-VANDAL SWITCHES  
DETECTOR SWITCHES  
DIP SWITCHES  
KEYLOCK SWITCHES  
NAVIGATION SWITCHES  
PUSHBUTTON SWITCHES  
ROCKER SWITCHES  
ROTARY SWITCHES  
SLIDE SWITCHES  
SNAP ACTION SWITCHES  
TACTILE SWITCHES  
TOGGLE SWITCHES  
CAP OPTIONS



## APPLICATIONS / MARKETS



**RoHS**

## SPECIFICATIONS

### Electrical Rating:

Option C: 16A 125VAC T85 [cURus]  
7.5A 250VAC T85 [cURus]  
16(4)A 250V~ 1E4 T125/55 [SEMKO, ENEC]

### Option D (2 Position Functions):

20A 125VAC T105 [cURus]  
16A 250VAC T105 [cURus]  
3/4HP 125VAC T105 [cURus]  
3/4HP 250VAC T105 [cURus]  
20(8)A 250V~ 1E4 T125/55 [VDE, ENEC]  
10(2)A 250V~ 5E4 T85/55 [VDE, ENEC]  
16(4)A 250V~ 1E4 T85/55 [VDE, ENEC]

### Option E (3 Position Functions):

16A 125VAC T65 [cURus]  
16A 250VAC T65 [cURus]

**Operating Temperature:** -20°C to 65°C

**Electrical Life:** 10,000 Cycles

**Contact Resistance:** 35mΩ Max. at 50VAC

**Insulation Resistance:** 100MΩ Min. at 500VDC

**Dielectric Strength:** 1,500VAC for 1 min.

**Ingress Protection:** IP54 with optional silicone cap

## FEATURES & BENEFITS

- High Quality and Reliable Switch
- Industry Standard 22mm x 30mm Cutout
- Illumination Options
- Marking Options
- Multiple Terminal and Actuator Options
- Front Panel Mount Applications
- Optional Cap for Dust and Water Protection
- 2 Pole Maintained and Momentary Functions

## PART NUMBER CONFIGURATOR

Series	Terminal	Function	Rating	Body Color	Actuator Color	Marking Color	Marking Type	Lens Style	Lens Color	Lamp Voltage
RB2	1 - 4.8mm Tab 4 - 6.3mm Tab	2 - Off-On E - Off-(On)* G - On-On H - On-(On)* 6 - On-Off-On J - On-Off-(On)* K - (On)-Off-(On)*	C - 16A 125V D - 20A 125V E - 16A 125V	1 - Black 2 - White 3 - Almond 4 - Grey 9 - Red	0 - Full Illumination 1 - Black 2 - White 3 - Almond 4 - Grey 5 - Orange 7 - Blue 8 - Green 9 - Red	0 - None 1 - Black 2 - White 8 - Red	0 - None 1 - I/O Vertical 2 - ON-OFF-ON Vertical 3 - ON-OFF Vertical 4 - ON-OFF Horizontal 9 - I/O/II Horizontal R - I/O Horizontal S - I/O/II Vertical	None - Not Illuminated 1 - Full 2 - Round	None - Not Illuminated 0 - Clear 1 - Red 2 - Amber 3 - Green 4 - Blue 5 - Yellow	None - Not Illuminated 4 - 12V 5 - 24V 6 - 125V 7 - 250V

*Custom Colors and Markings Available Upon Request*  
\* ( ) = Denotes Momentary Function

Specifications subject to change without notice



**E-SWITCH®**

www.e-switch.com

800.867.2717

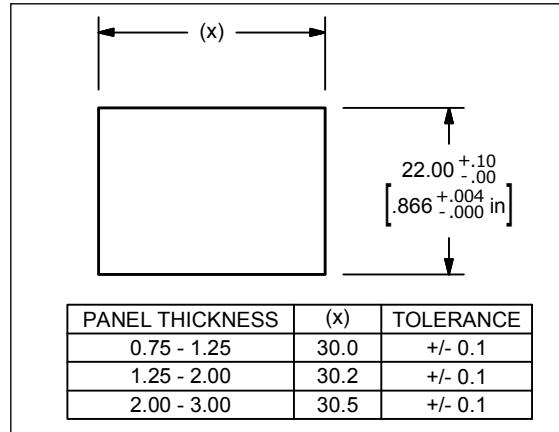
1

# RB2 SERIES ROCKER SWITCH

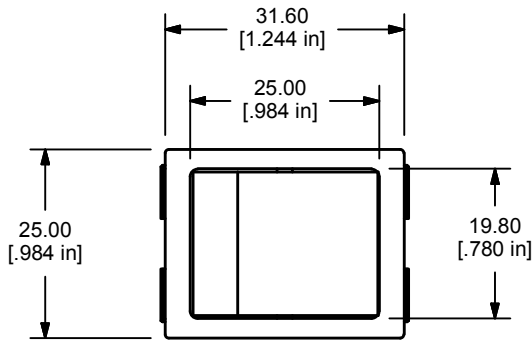
## BODY DIMENSIONS

FUNCTION	POS. 1	POS. 2	POS. 3
2	OFF	NONE	ON
E	OFF	NONE	(ON)
G	ON	NONE	ON
H	ON	NONE	(ON)
6	ON	OFF	ON
J	ON	OFF	(ON)
K	(ON)	OFF	(ON)
TERMINAL CLOSURE	2-3, 5-6	OPEN	2-1, 5-4

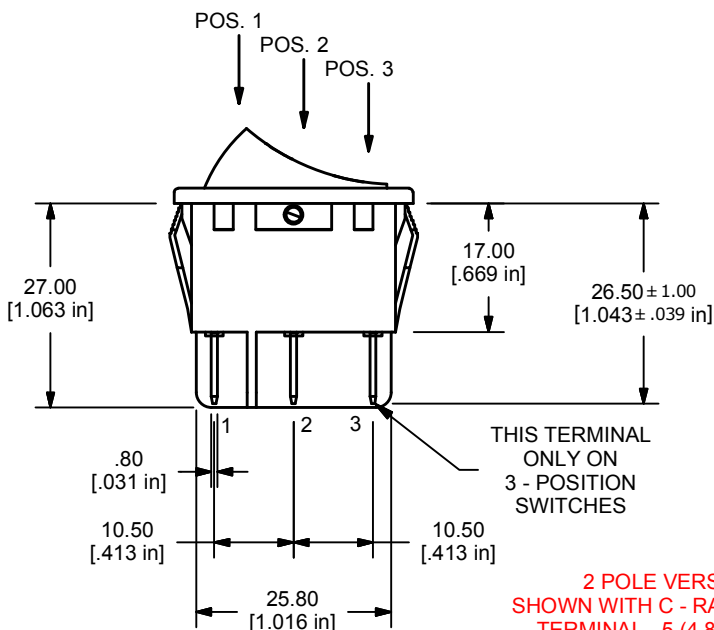
( ) = MOMENTARY



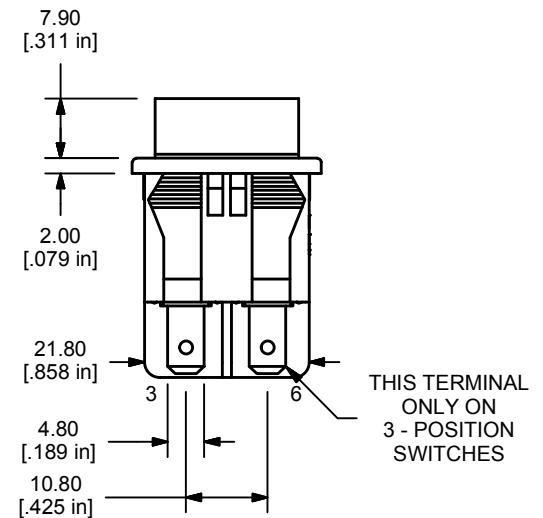
PANEL CUTOUT



SCHEMATIC OPTIONS



2 POLE VERSION  
SHOWN WITH C - RATED BODY  
TERMINAL - 5 (4.8mm TAB)



ANTI-VANDAL SWITCHES  
DETECTOR SWITCHES  
DIP SWITCHES  
KEYLOCK SWITCHES  
NAVIGATION SWITCHES  
PUSHBUTTON SWITCHES  
ROCKER SWITCHES  
ROTARY SWITCHES  
SLIDE SWITCHES  
SNAP ACTION SWITCHES  
TACTILE SWITCHES  
TOGGLE SWITCHES  
CAP OPTIONS

# RB2 SERIES ROCKER SWITCH

## BODY DIMENSIONS

FUNCTION	POS. 3	POS. 2	POS. 1
2	OFF	NONE	ON
E	OFF	NONE	(ON)
G	ON	NONE	ON
H	ON	NONE	(ON)
6	ON	OFF	ON
J	ON	OFF	(ON)
K	(ON)	OFF	(ON)
TERMINAL CLOSURE	2-1, 5-4	OPEN	2-3, 5-6

( ) = MOMENTARY

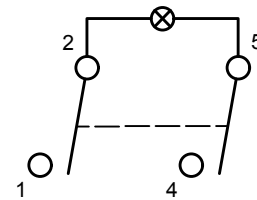


PANEL CUTOUT



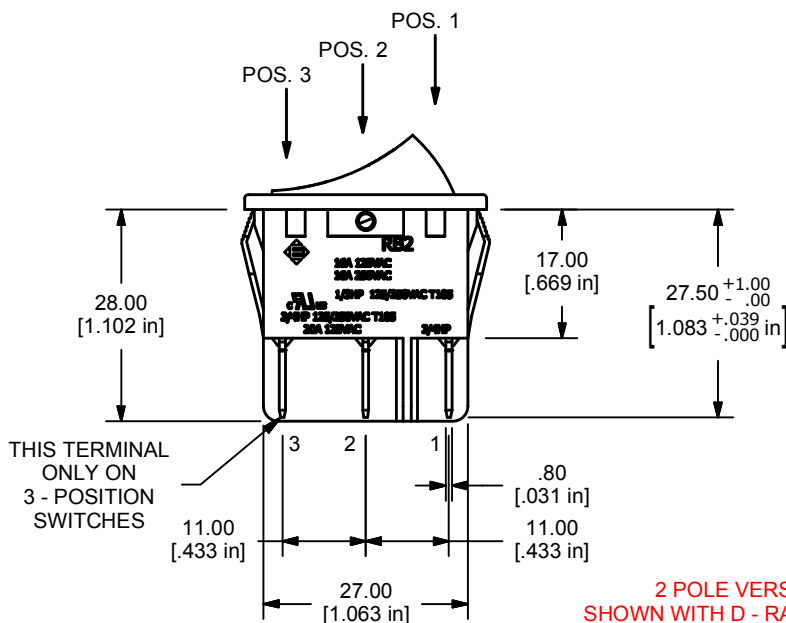
2 - POSITION

3 - POSITION



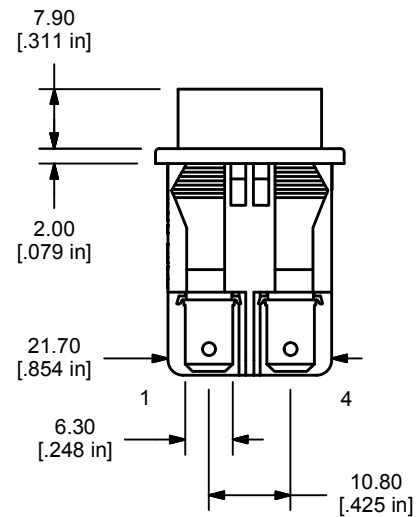
2 - POSITION ILLUMINATED

SCHEMATIC OPTIONS



THIS TERMINAL ONLY ON 3 - POSITION SWITCHES

2 POLE VERSION SHOWN WITH D - RATED BODY TERMINAL - 4 (6.3mm TAB)

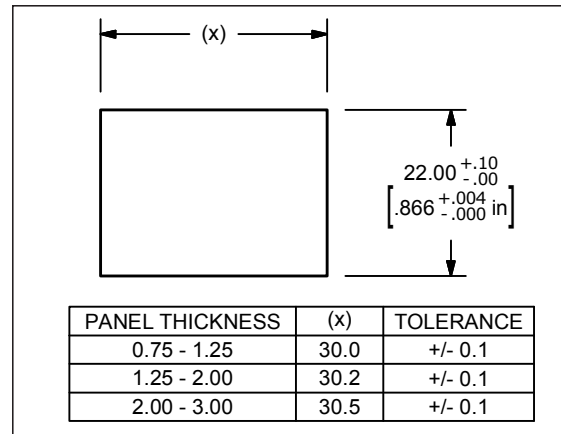
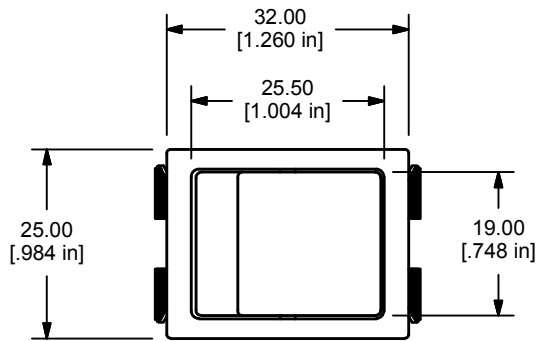


# RB2 SERIES ROCKER SWITCH

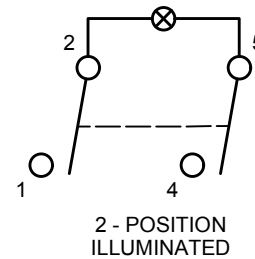
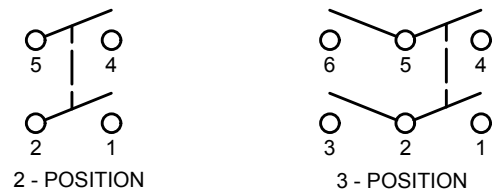
## BODY DIMENSIONS

FUNCTION	POS. 3	POS. 2	POS. 1
2	OFF	NONE	ON
E	OFF	NONE	(ON)
G	ON	NONE	ON
H	ON	NONE	(ON)
6	ON	OFF	ON
J	ON	OFF	(ON)
K	(ON)	OFF	(ON)
TERMINAL CLOSURE	2-1, 5-4	OPEN	2-3, 5-6

( ) = MOMENTARY



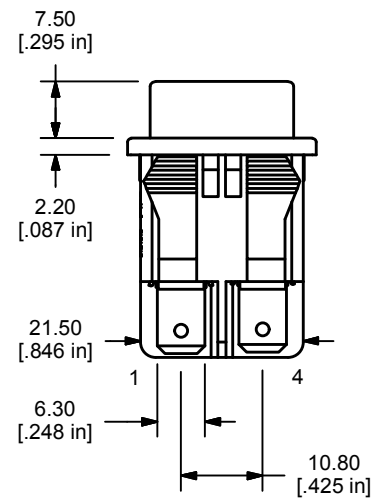
PANEL CUTOUT



SCHEMATIC OPTIONS



2 POLE VERSION  
SHOWN WITH E - RATED BODY  
TERMINAL - 4 (6.3mm TAB)

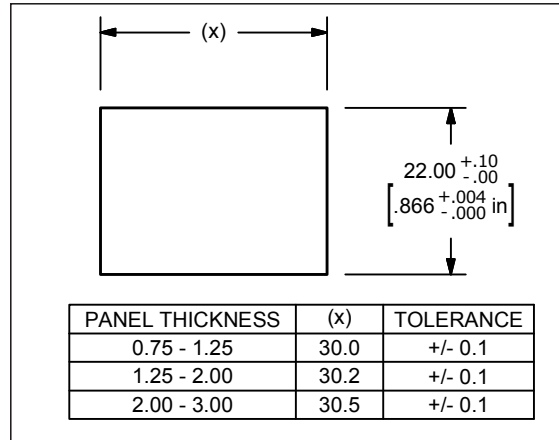


# RB2 SERIES ROCKER SWITCH

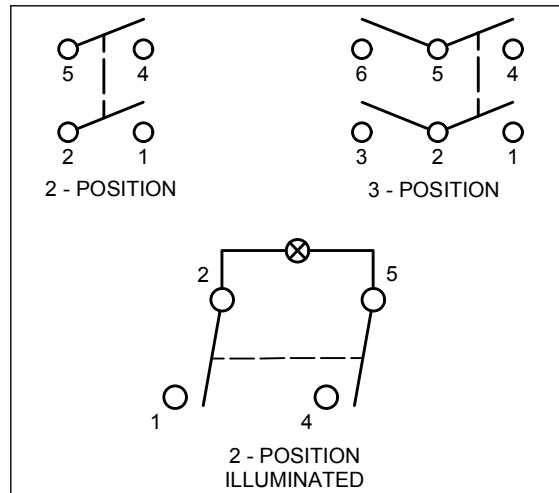
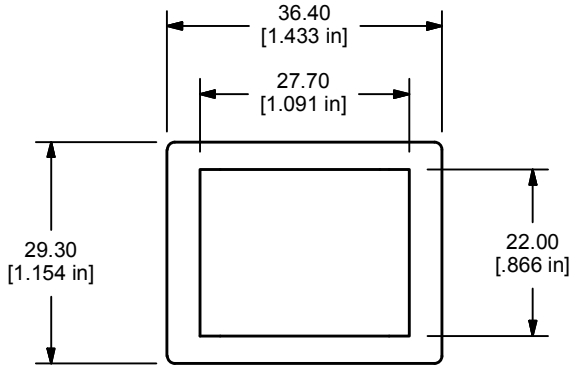
## BODY DIMENSIONS

FUNCTION	POS. 3	POS. 2	POS. 1
2	OFF	NONE	ON
E	OFF	NONE	(ON)
G	ON	NONE	ON
H	ON	NONE	(ON)
6	ON	OFF	ON
J	ON	OFF	(ON)
K	(ON)	OFF	(ON)
TERMINAL CLOSURE	2-1, 5-4	OPEN	2-3, 5-6

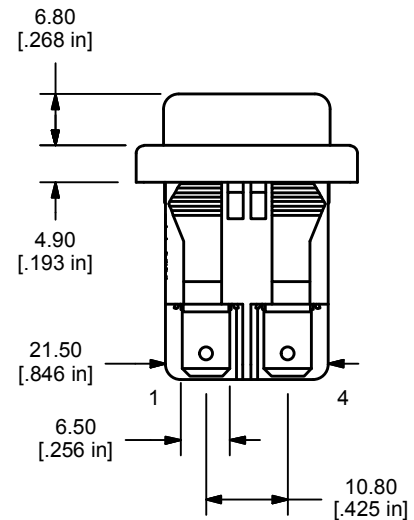
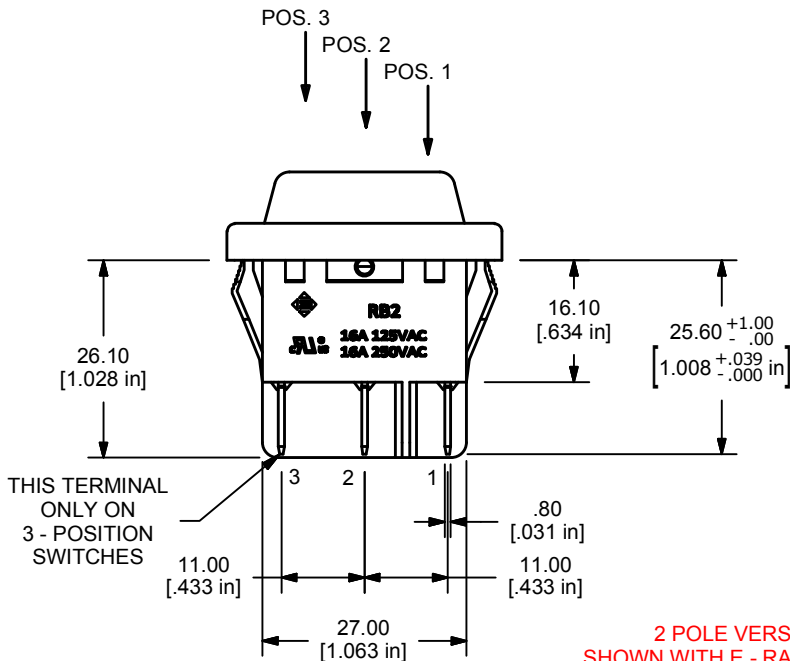
( ) = MOMENTARY



PANEL CUTOUT



SCHEMATIC OPTIONS



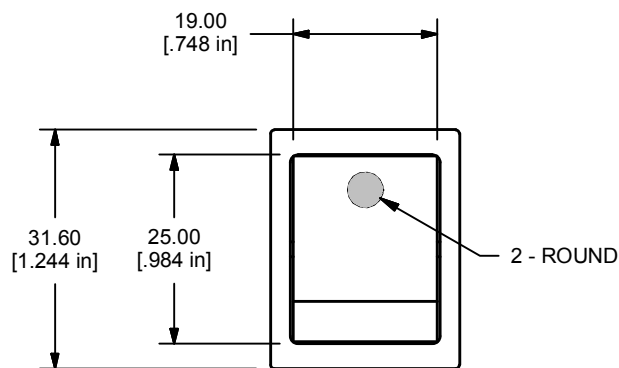
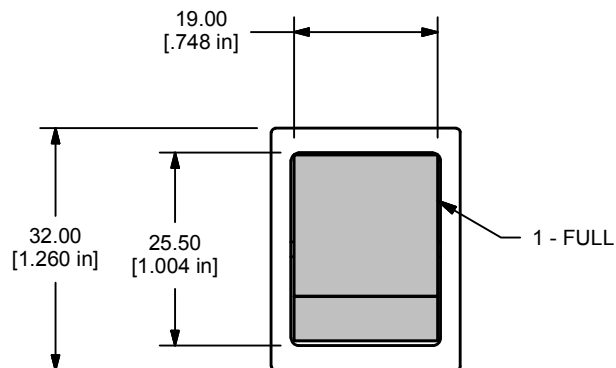
2 POLE VERSION  
SHOWN WITH E - RATED BODY  
TERMINAL - 4 (6.3mm TAB)  
ACC-F02-1 (SILICONE CAP)



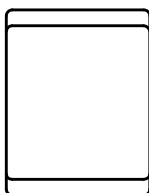
# RB2 SERIES ROCKER SWITCH

## ILLUMINATION TYPE/ MARKING TYPE

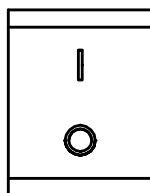
### ILLUMINATION TYPE



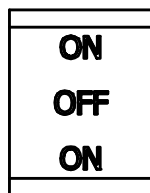
### MARKING TYPE



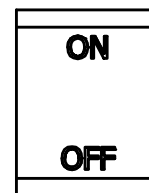
0 - NONE



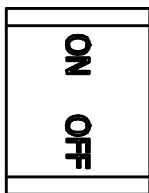
1 - I/O  
VERTICAL



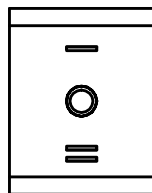
2 - ON-OFF-ON  
VERTICAL



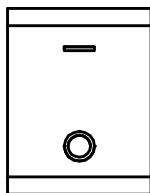
3 - ON-OFF  
VERTICAL



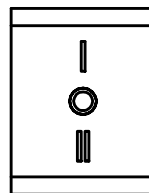
4 - ON-OFF  
HORIZONTAL



9 - I/O/II  
HORIZONTAL



R - I/O  
HORIZONTAL



S - I/O/II  
VERTICAL

