

# RDT SERIES ROTARY DIP SWITCH

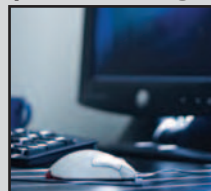
ANTI-VANDAL SWITCHES  
 DETECTOR SWITCHES  
 DIP SWITCHES  
 KEYLOCK SWITCHES  
 NAVIGATION SWITCHES  
 PUSHBUTTON SWITCHES  
 ROCKER SWITCHES  
 ROTARY SWITCHES  
 SLIDE SWITCHES  
 SNAP ACTION SWITCHES  
 TACTILE SWITCHES  
 TOGGLE SWITCHES  
 CAP OPTIONS



## APPLICATIONS / MARKETS



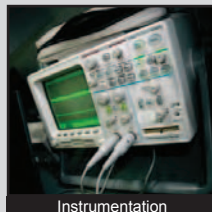
Audio / Visual



Computer Peripherals



Consumer Electronics



Instrumentation



Telecommunication



Medical Equipment

**RoHS**

## SPECIFICATIONS

### Electrical Rating:

Switching: 42VDC, 150mA

Non-Switching: 42VDC, 200mA

**Life Expectancy:** 10,000 steps

**Contact Resistance:** 80mΩ Max.

**Insulation Resistance:** 100 MΩ Min. at 250VDC

**Dielectric Strength:** 250VAC

### Operating Temperature:

-40°C to 85°C (Thru Hole)

-60°C to 125°C (SMT)

**Actuation Force:** 700 gf

**Travel:** dependent upon individual switch positions

## FEATURES & BENEFITS

- Offers IP67 sealing protection
- Available in 4, 6, 8, 10 and 16 positions
- Right angle or vertical options
- SMT or thru hole options
- Gold contacts

## PART NUMBER CONFIGURATOR

Series	Actuator	Code	Positions	Terminals	Packaging
<input type="text" value="RDT"/>	<input type="text" value="A"/>	<input type="text" value="R"/>	<input type="text" value="04"/>	<input type="text" value="P1"/>	<input type="text" value="T"/>
RDT	A - Arrow Flush B - Arrow Shaft C - Cross D - Arrow .1 High	R - Real C - Complementary	04 06 08 10 16	P1 - TH 3x3 terminals P2 - TH 3x2 terminals S1 - SM 3x3 terminals S2 - SM 3x2 terminals R1 - Angled 5.08 spacing R2 - Angled 2.54 spacing	T - Tube R - Tape & Reel

*Specifications subject to change without notice*



**E-SWITCH®**

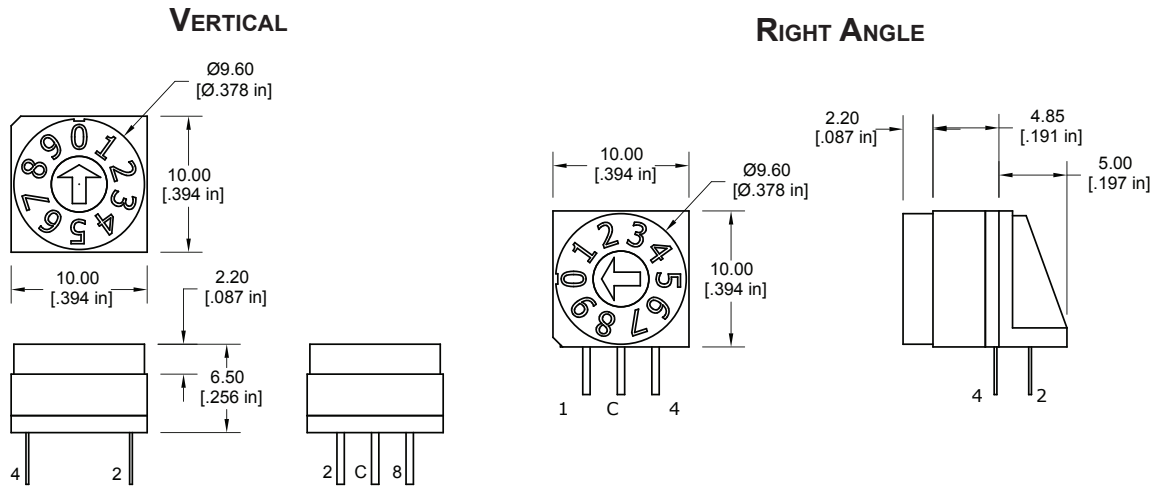
www.e-switch.com

800.867.2717

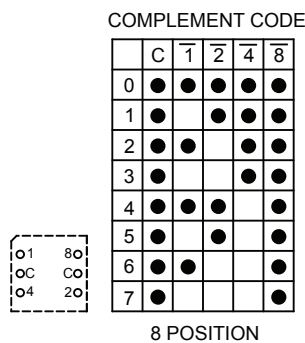
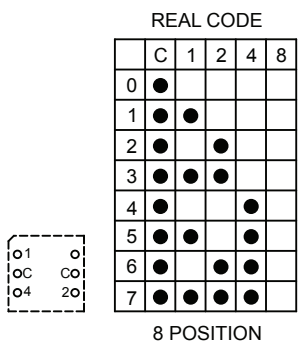
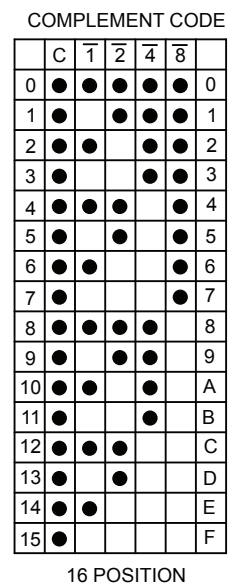
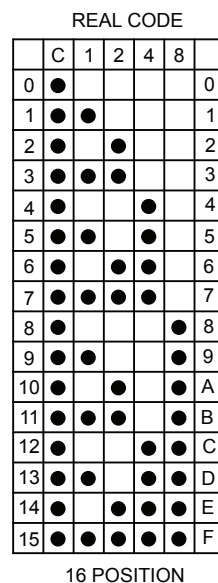
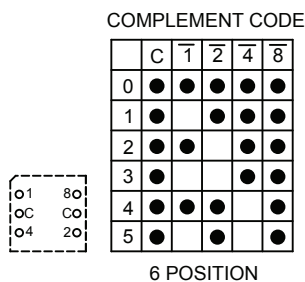
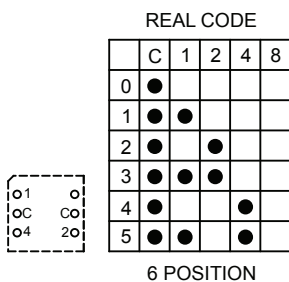
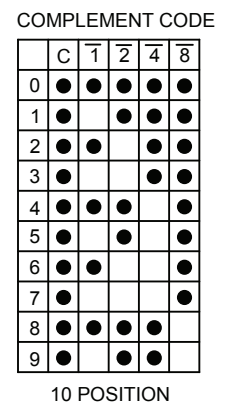
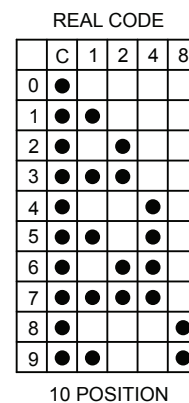
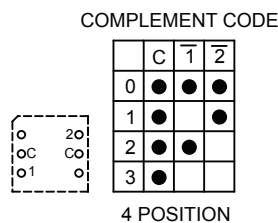
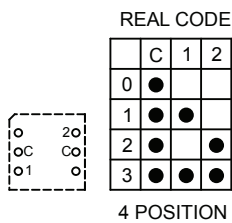
2

# RDT SERIES ROTARY DIP SWITCH

## BODY DIMENSIONS



## GENERAL CODES



ANTI-VANDAL SWITCHES  
DETECTOR SWITCHES  
DIP SWITCHES  
KEYLOCK SWITCHES  
NAVIGATION SWITCHES  
PUSHBUTTON SWITCHES  
ROCKER SWITCHES  
ROTARY SWITCHES  
SLIDE SWITCHES  
SNAP ACTION SWITCHES  
TACTILE SWITCHES  
TOGGLE SWITCHES  
CAP OPTIONS

# RDT SERIES ROTARY DIP SWITCH

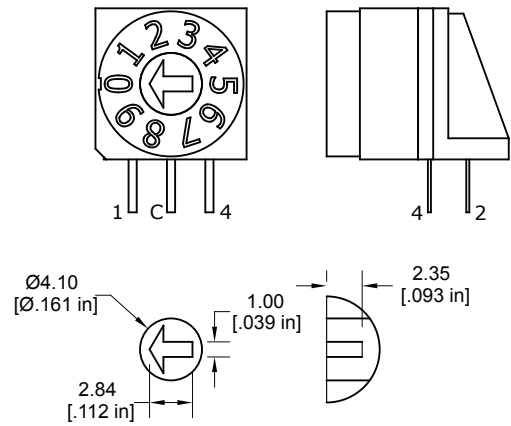
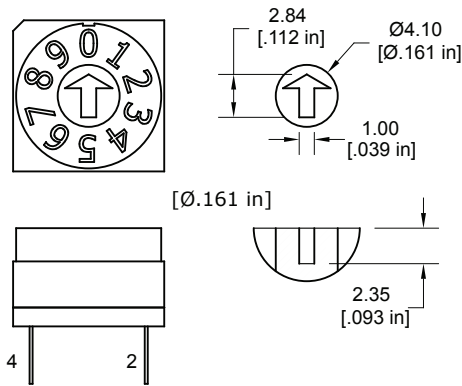
## ACTUATOR OPTIONS

ANTI-VANDAL SWITCHES  
DETECTOR SWITCHES  
DIP SWITCHES  
KEYLOCK SWITCHES  
NAVIGATION SWITCHES  
PUSHBUTTON SWITCHES  
ROCKER SWITCHES  
ROTARY SWITCHES  
SLIDE SWITCHES  
SNAP ACTION SWITCHES  
TACTILE SWITCHES  
TOGGLE SWITCHES  
CAP OPTIONS

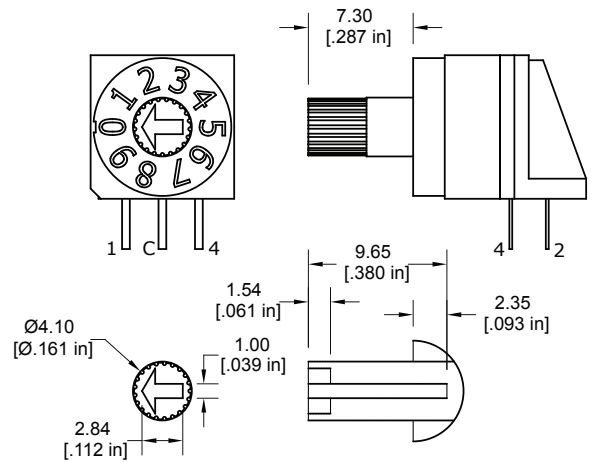
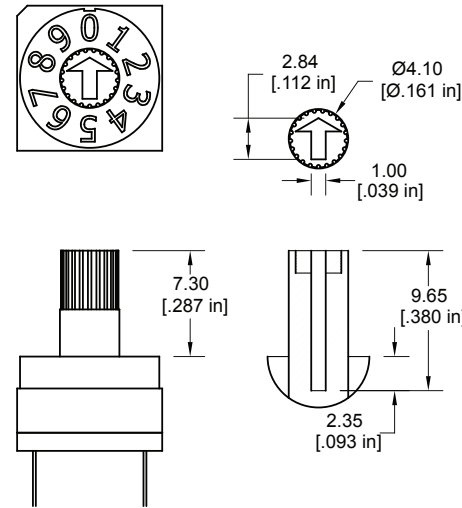
### VERTICAL

### RIGHT ANGLE

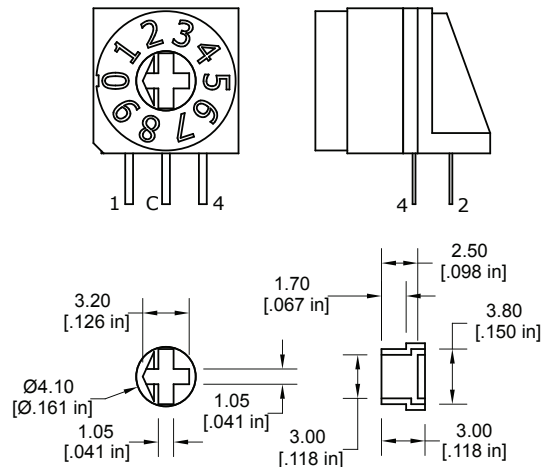
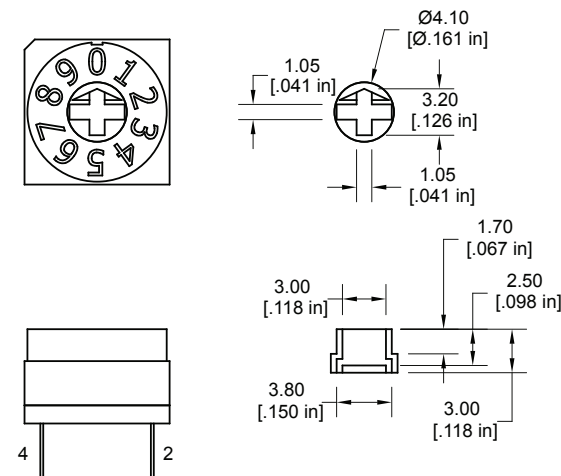
#### "A" ACTUATOR



#### "B" ACTUATOR



#### "C" ACTUATOR

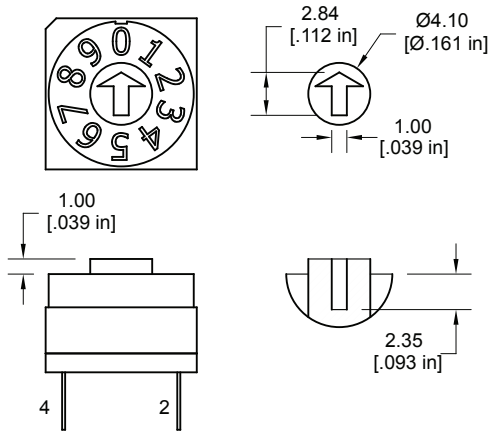


# RDT SERIES ROTARY DIP SWITCH

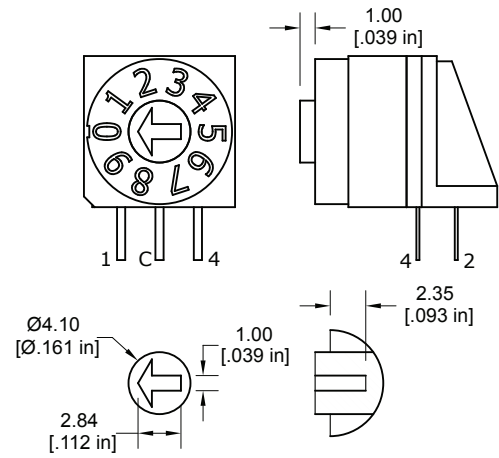
## ACTUATOR OPTIONS (CONT.)

### VERTICAL

#### "D" ACTUATOR

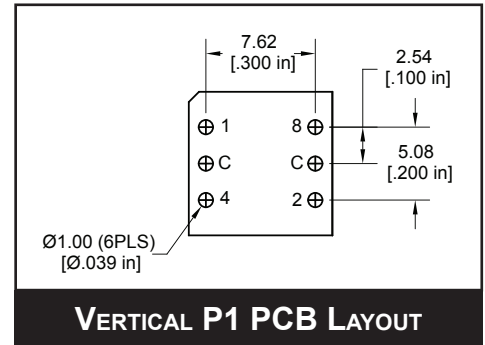
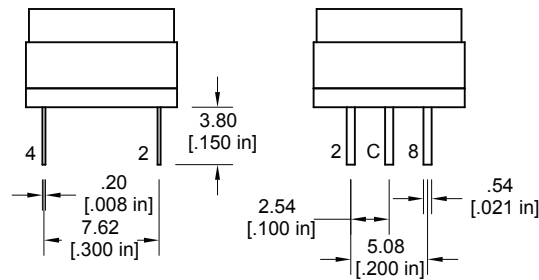


### RIGHT ANGLE

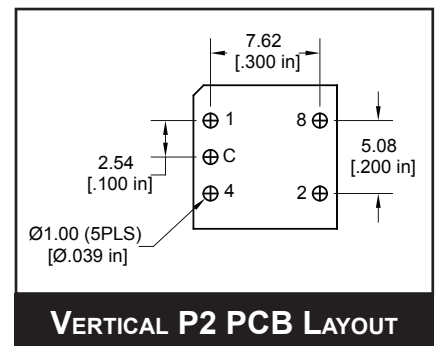
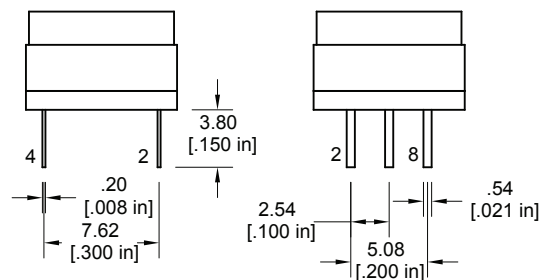


## TERMINATION OPTIONS

### P1 - VERTICAL



### P2 - VERTICAL

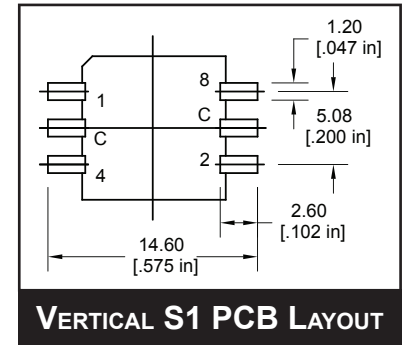
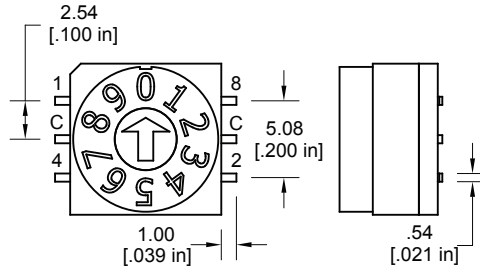


ANTI-VANDAL SWITCHES  
DETECTOR SWITCHES  
DIP SWITCHES  
KEYLOCK SWITCHES  
NAVIGATION SWITCHES  
PUSHBUTTON SWITCHES  
ROCKER SWITCHES  
ROTARY SWITCHES  
SLIDE SWITCHES  
SNAP ACTION SWITCHES  
TACTILE SWITCHES  
TOGGLE SWITCHES  
CAP OPTIONS

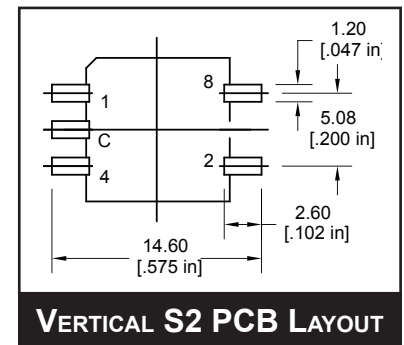
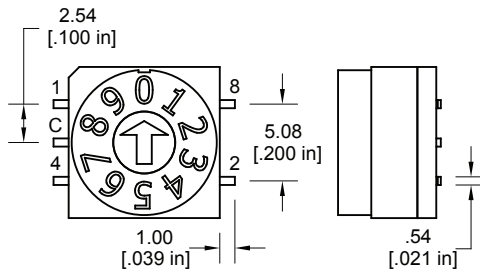
# RDT SERIES ROTARY DIP SWITCH

## TERMINATION OPTIONS (CONT.)

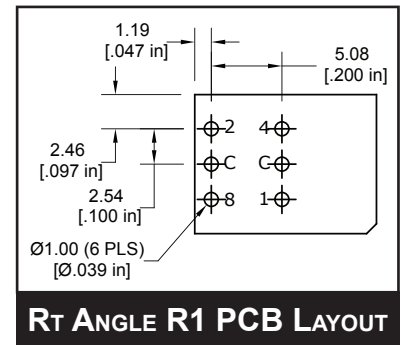
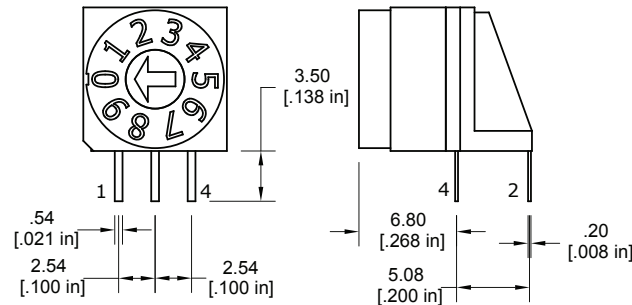
### S1 - VERTICAL



### S2 - VERTICAL



### R1 - RIGHT ANGLE



### R2 - RIGHT ANGLE

