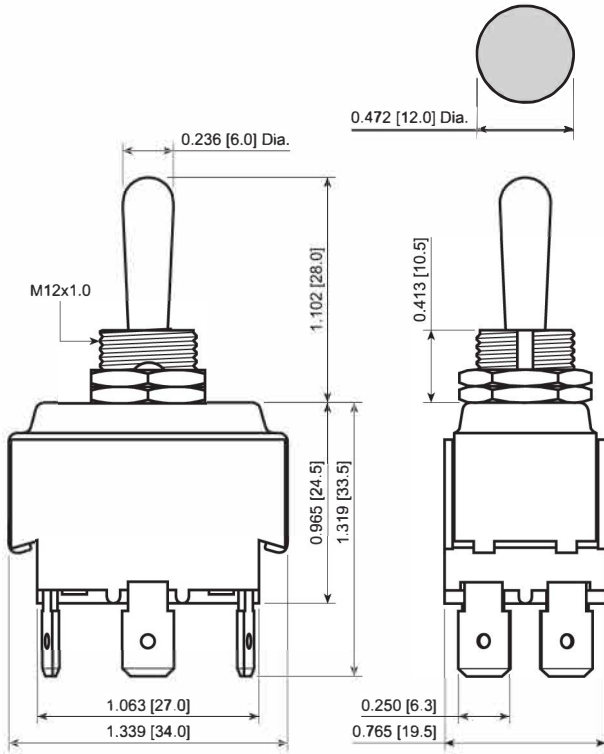
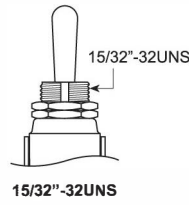


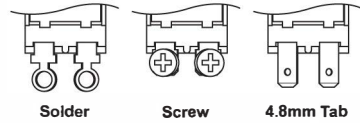
### Panel Cutout



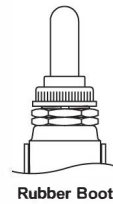
### Bushing Options



### Terminal Options



### Water Protection Options



### FEATURES:

- Heavy Duty Rating with UL Approvals
- Many Functions Available
- Tab, Screw, and Solder Terminal Options
- Rubber Boot for Water and Dust Protection

### SPECIFICATIONS:

#### RATING: MAINTAINED SWITCHES:

- 20A 125VAC [cULus]
- 15A 250VAC [cULus]
- 2HP 125-250VAC [cULus]

#### MOMENTARY SWITCHES:

- 20A 125VAC [cULus]
- 15A 250VAC [cULus]
- 1.5HP 125-250VAC [cULus]

TEMPERATURE: -20°C to 85°C

ELECTRICAL LIFE: 6,000 Cycles

CONTACT RESISTANCE: 50mΩ Max.

INSULATION RESISTANCE: 800MΩ Min. at 500VDC

DIELECTRIC STRENGTH: 1,500VAC for 1 Minute

### MATERIALS:

- Body: Phenolic, UL94 V-0
- ACTUATOR: Nickel Plated Brass
- BUSHING: Nickel Plated Brass
- HOUSING: Stainless Steel
- CONTACTS: Silver Alloy
- TERMINALS: Silver Plated Brass

Series	Terminal	Function	Rating	Actuator Type	Bushing Type
ST2	1 - 4.8mm Tabs 2 - Solder 4 - 6.3mm Tabs 6 - Screw  Variable Length: Wx - Wire Leads (x in Inches)	2 Pole: 2 - Off-On G - On-On E - Off(On) 6 - On-Off-On J - On-Off(On) K - (On)-Off(On)	D - 20A 125VAC	0 - Standard Bat	0 - M12x1.0 2 - 15/32"-32UNS

Note: Terminal bridging options available. See "Z02" function for polarity reversal in example photo.



ST226D00  
ACC-B03-2  
ACC-M01-3

SPECIFICATIONS SUBJECT TO CHANGE WITHOUT NOTICE

ST24Z02D00



Accessories Series	Type	Options
ACC	Rubber Boot: B03 - For Standard Bat  Hardware N02 - Knurled Nut	Colors for Boot: 2 - Black  Threading: 3 - 15/32"-32UNS 5 - M12x1.0

### EXAMPLE PART NUMBERS:

ST242D00      2P Off-On  
Standard Actuator/Bushing, 0.250" QC

ST246D00      2P On-Off-On  
Standard Actuator/Bushing, 0.250" QC