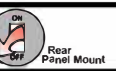
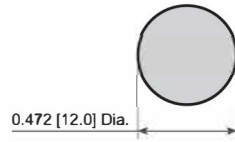


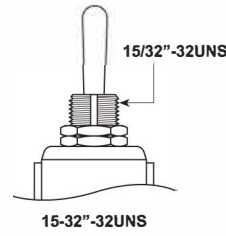
# ST3 Series



## Panel Cutout



## Bushing Options



## FEATURES:

- Heavy Duty Rating with UL Approvals
- Tab, Screw, and Solder Terminal Options
- Rubber Boot for Water and Dust Protection

## SPECIFICATIONS:

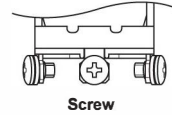
**RATING:** 24A 125VAC [cULus]  
15A 277VAC [cULus]  
2HP 125-250VAC [cULus]

**TEMPERATURE:** -20°C to 85°C  
**ELECTRICAL LIFE:** 6,000 Cycles  
**CONTACT RESISTANCE:** 50mΩ Max.  
**INSULATION RESISTANCE:** 800MΩ Min. at 500VDC  
**DIELECTRIC STRENGTH:** 1,500VAC for 1 Minute

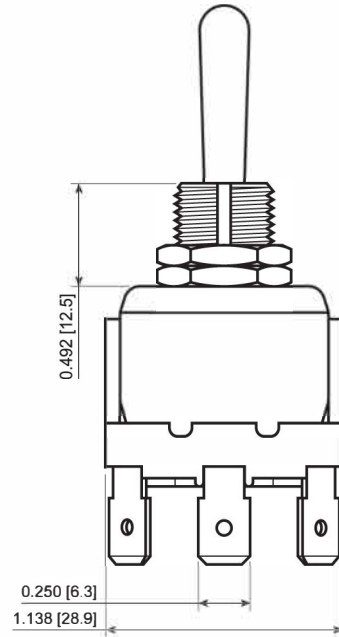
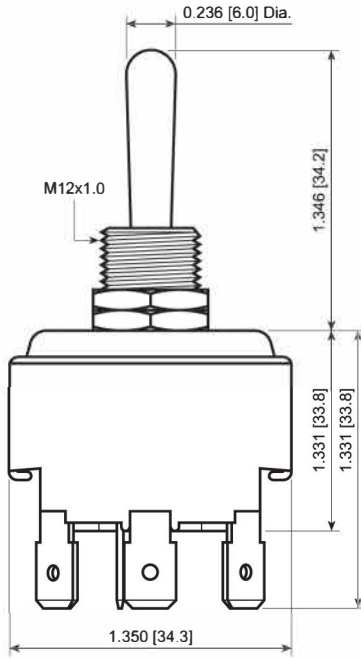
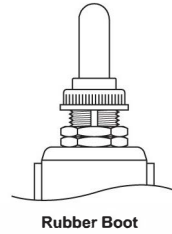
## MATERIALS:

**Body:** Phenolic, UL94 V-0  
**ACTUATOR:** Nickel Plated Brass  
**BUSHING:** Nickel Plated Brass  
**HOUSING:** Stainless Steel  
**CONTACTS:** Silver Alloy  
**TERMINALS:** Silver Plated Brass

## Terminal Options



## Water Protection Options



Series	Terminal	Function	Rating	Actuator Type	Bushing Type
ST3 - 3 Pole	1 - 4.8mm Tabs 2 - Solder 4 - 6.3mm Tabs 6 - Screw	3 Pole: R - Off-On S - On-On T - On-Off-On	E - 24A 125VAC	0 - Standard Bat	0 - M12x1.0 2 - 15/32"-32UNS

Variable Length  
W:xx - Wire Leads  
(xx in Inches)

Note:  
Terminal bridging options available.



ST34TE00

ST34RE00



Accessories Series	Type	Options
ACC	Rubber Boot: B03 - For Standard Bat	Colors for Boot: 2 - Black
	Hardware N02 - Knurled Nut	Threading 3 - 15/32"-32UNS 5 - M12x1.0

## EXAMPLE PART NUMBERS:

ST34RE00                      3P Off-On  
Standard Actuator/Bushing, 6.3mm tab



www.e-switch.com

800.867.2717

SPECIFICATIONS SUBJECT TO CHANGE WITHOUT NOTICE

TOGGLE