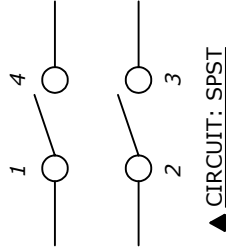
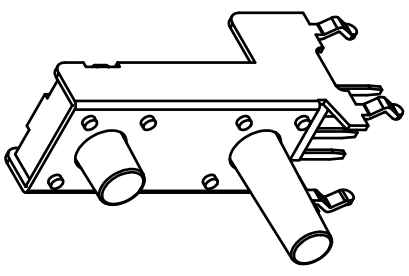
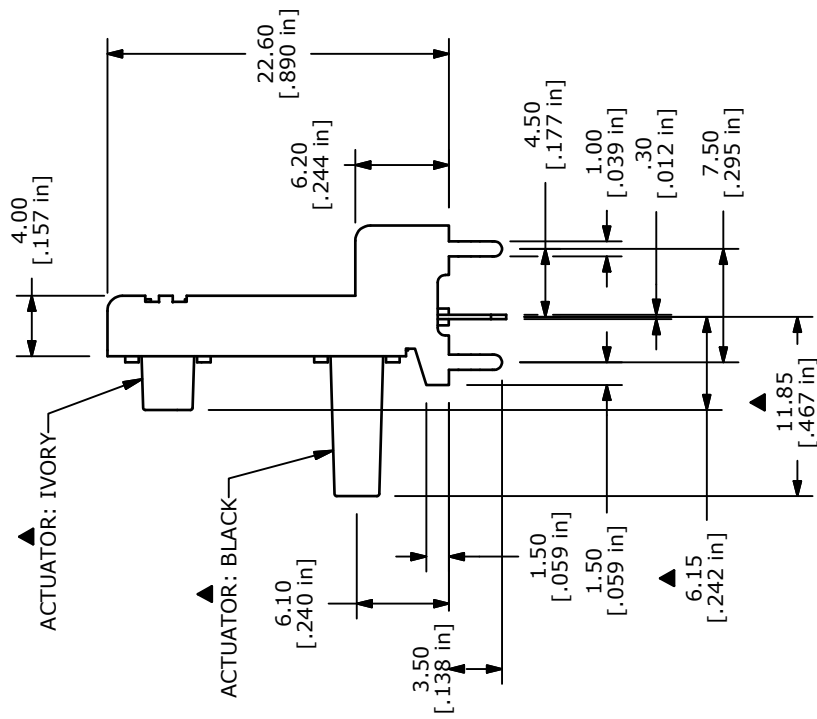
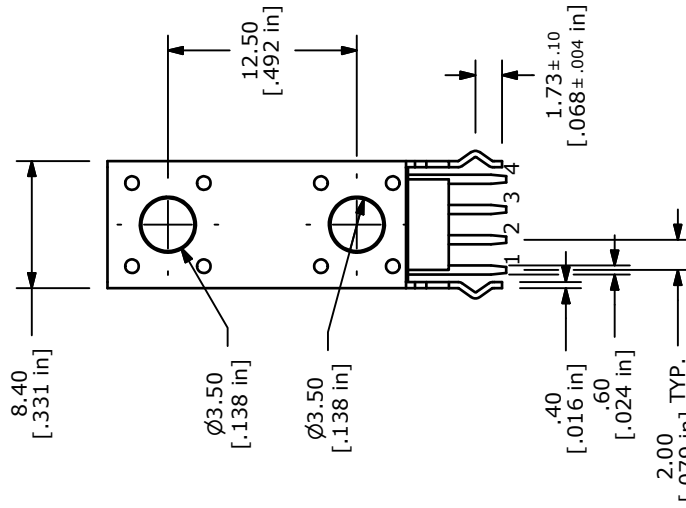
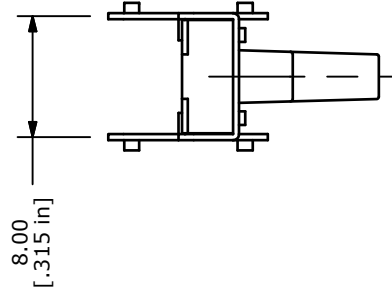


RECOMMENDED P.C.B. LAYOUT



- NOTES:
1. ALL DIMENSIONS IN MM
  2. GENERAL TOLERANCE: X.X=±0.4  
X.XX=±0.25
  3. TERM. NOS. FOR REFERENCE ONLY.
  4. CONTACT RATING: 50mA @12VDC
  5. TRAVEL: 0.25 +0.2/-0.1mm
  6. CONTACT RESISTANCE: 100mILLI-OHMS Max.
  7. OPERATING FORCE: 160±50gf
  - ▲8. CONTACT MATERIAL: SILVER
  - 9.▲ DENOTES CRITICAL PARAMETER.
  - ▲10. ACTUATOR: TOP (6.15MM), BOTTOM (11.85)
  - ▲11. PACKAGE: TRAY/ 200 PIECES PER
  12. 2002/95/EC (ROHS) COMPLIANT



**E-SWITCH®**

TITLE TL53HCF160Q

B	19576	DRAWING UPDATE / CLEAN-UP	1/11/11	BGL
A	17000	RELEASED FOR PRODUCTION	2/20/07	TN
REV	PCR NO	DESCRIPTION	DATE	BY

THE INFORMATION CONTAINED IN THIS DOCUMENT IS PROPRIETARY TO E-SWITCH AND IS NOT TO BE COPIED OR TRANSFERRED

SCALE 2:1

DATE 2/20/2007

DR TN

DWG P010686

REV B